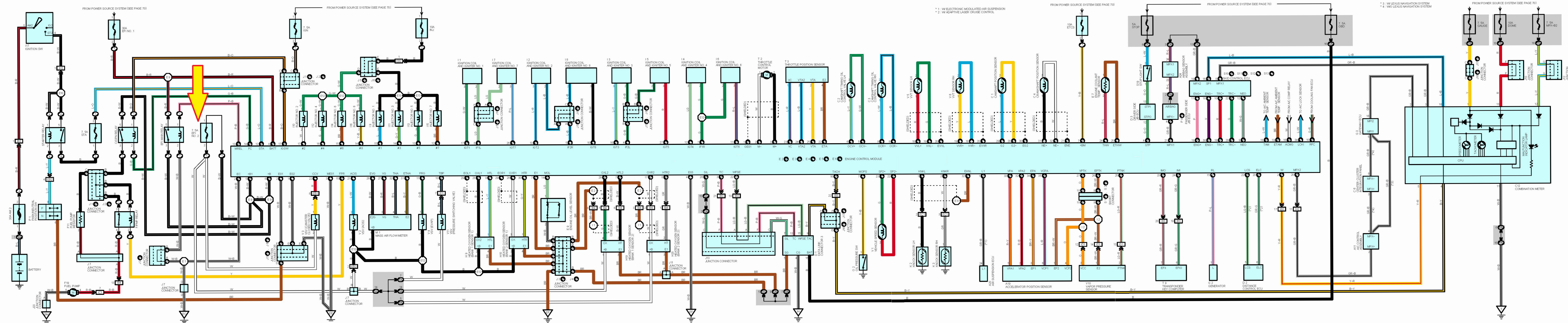


ENGINE CONTROL



* 1 : W/ ELECTRONIC MODULATED AIR SUSPENSION
* 2 : W/ ADAPTIVE LASER CRUISE CONTROL

* 3 : W/ LEXUS NAVIGATION SYSTEM
* 4 : W/O LEXUS NAVIGATION SYSTEM