

## REMOVAL

### 1. REMOVE FRONT PILLAR GARNISH

- (a) Push the upper portion of front pillar garnish, then pull and release the clip.
- (b) Using a screwdriver, remove the front pillar garnish as shown in the illustration.

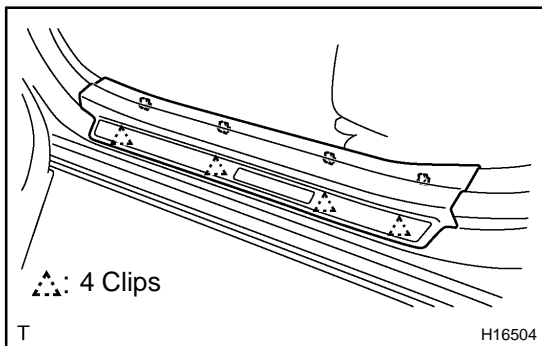
HINT:

Tape the screwdriver tip before use.

- (c) Employ the same manner described above to the other side.

**NOTICE:**

**When install the front pillar garnish, replace new clip on the upper portion of front pillar garnish.**



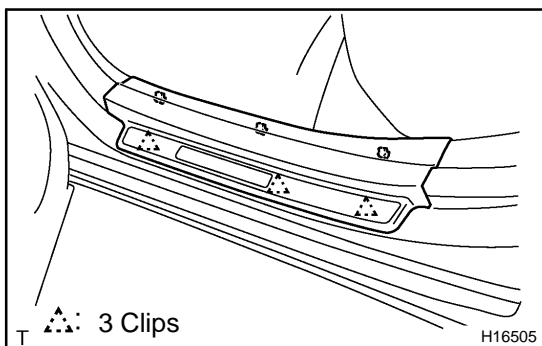
### 2. REMOVE FRONT DOOR SCUFF PLATE

- (a) Using a screwdriver, remove the front door scuff plate as shown in the illustration.

HINT:

Tape the screwdriver tip before use.

- (b) Employ the same manner described above to the other side.



### 3. REMOVE REAR DOOR SCUFF PLATE

- (a) Using a screwdriver, remove the rear door scuff plate as shown in the illustration.

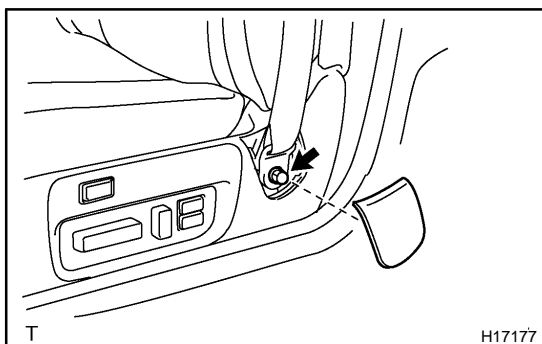
HINT:

Tape the screwdriver tip before use.

- (b) Employ the same manner described above to the other side.

### 4. REMOVE FRONT DOOR OPENING TRIMS

### 5. REMOVE REAR DOOR OPENING TRIMS



### 6. REMOVE FRONT SEAT OUTER BELT ANCHOR

- (a) Using a screwdriver, remove the anchor cover from the front seat.

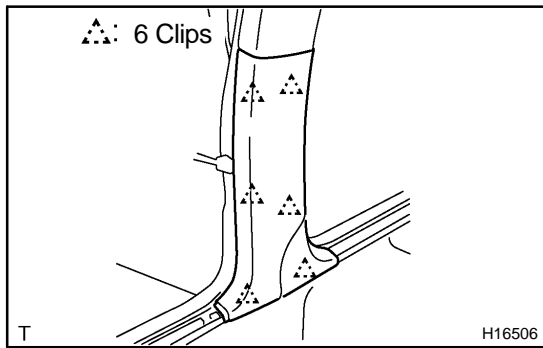
HINT:

Tape the screwdriver tip before use.

- (b) Remove the bolt and anchor from the front seat.

**Torque: 42 N·m (430 kgf·cm, 31 ft·lbf)**

- (c) Employ the same manner described above to the other side.



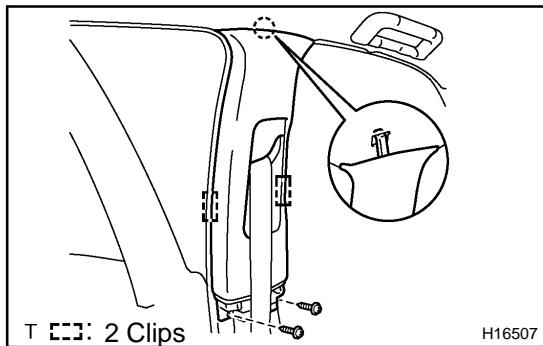
### 7. REMOVE CENTER PILLAR LOWER GARNISH

- (a) Using a screwdriver, remove the center pillar lower garnish.

HINT:

Tape the screwdriver tip before use.

- (b) Employ the same manner described above to the other side.



### 8. REMOVE CENTER PILLAR UPPER GARNISH

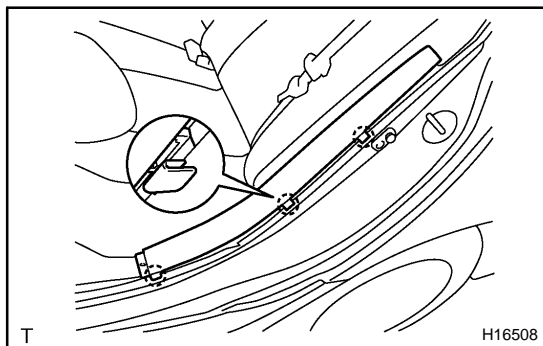
- (a) Remove the 2 screws.

- (b) Using a screwdriver, remove the center pillar upper garnish.

HINT:

Tape the screwdriver tip before use.

- (c) Employ the same manner described above to the other side.



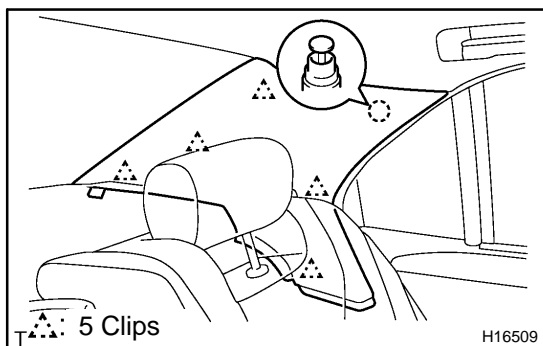
### 9. REMOVE REAR SEAT SIDE GARNISH

- (a) Using a screwdriver, remove the rear seat side garnish.

HINT:

Tape the screwdriver tip before use.

- (b) Employ the same manner described above to the other side.



### 10. REMOVE ROOF SIDE INNER GARNISH

- (a) Using a screwdriver, disengage the clips, then pull the garnish forward to remove it.

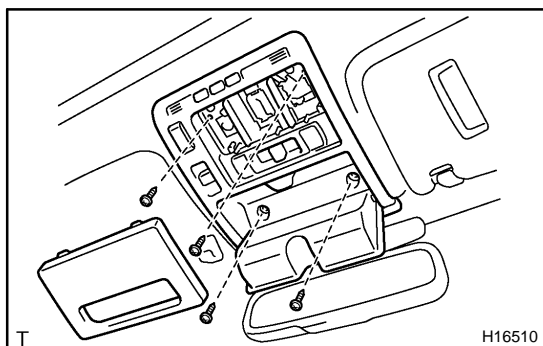
HINT:

Tape the screwdriver tip before use.

- (b) Employ the same manner described above to the other side.

**NOTICE:**

**At the time of installation, please refer to the following item. If the clip is damaged, replace new clip.**



### 11. REMOVE MAP LIGHT ASSEMBLY

- (a) w/ LEXUS link system:

Open the control switch box.

- (b) w/o LEXUS link system:

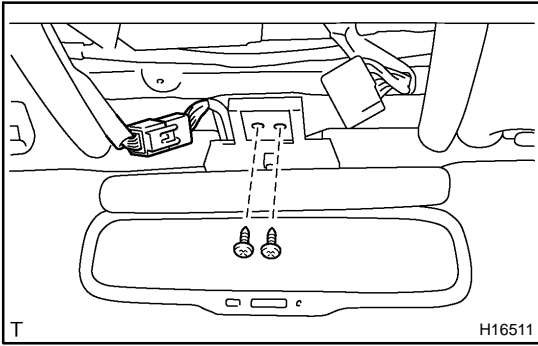
Open the upper console.

- (c) Using a screwdriver, remove the lens.

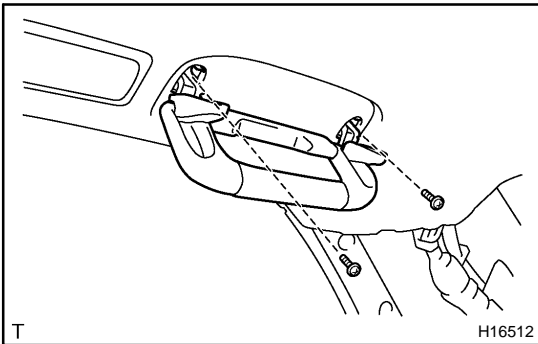
HINT:

Tape the screwdriver tip before use.

- (d) Remove the 4 screws and map light assembly, then disconnect the connectors.

**12. REMOVE INNER REAR VIEW MIRROR**

- (a) Remove the 2 screws and inner rear view mirror.
- (b) Disengage the connector from the body.
- (c) Disconnect the connector.

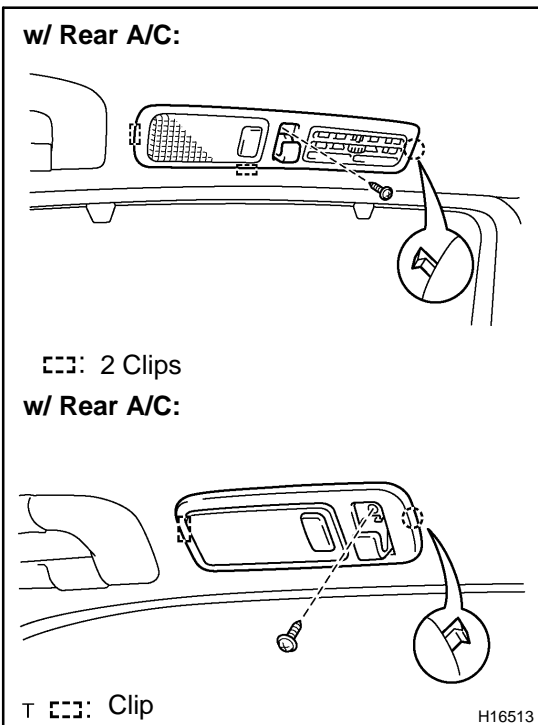
**13. REMOVE ASSIST GRIP**

- (a) Using a screwdriver, open the screw cap.

HINT:

Tape the screwdriver tip before use.

- (b) Remove the 2 screws and assist grip.
- (c) Employ the same manner described above to the other sides.

**14. REMOVE REAR PERSONAL LIGHT ASSEMBLY**

- (a) Open the coat hook.
- (b) Remove the screw and rear personal light assembly, then disconnect the connector.
- (c) Employ the same manner described above to the other side.

**15. REMOVE SUN VISOR**

- (a) Using a screwdriver, remove the cap.

HINT:

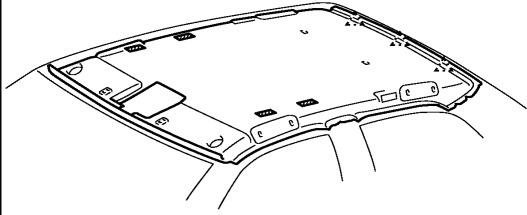
Tape the screwdriver tip before use.

- (b) Remove the 2 screws and sun visor, then disconnect the connector.
- (c) Employ the same manner described above to the other side.

**16. REMOVE SUN VISOR HOLDERS**

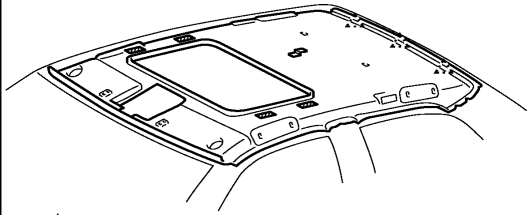
Remove the 2 screws and 2 holders.

w/o Sliding roof:



▲: 3 Clips

w/ Sliding roof:



T ▲: 3 Clips

H16514

## 17. REMOVE ROOF HEADLINING

- (a) Disengage the 3 clips.
- (b) Disengage the fasteners.
- (c) w/ Sliding roof:  
Slide the roof headlining rearward to release it from the front portion of sliding roof housing.
- (d) w/ Sliding roof:  
Slide the roof headlining forward to release it from the rear portion of sliding roof housing.
- (e) Pull the roof headlining downward to remove it.