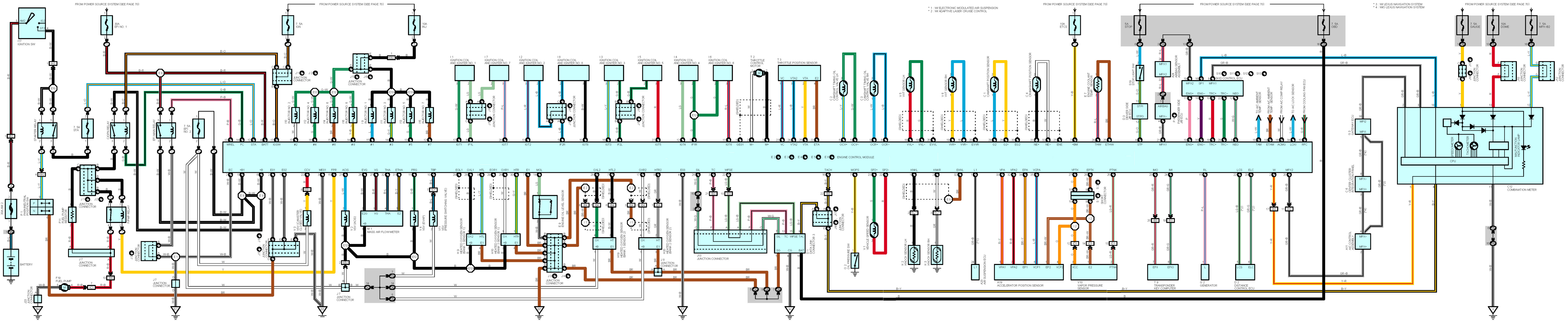


ENGINE CONTROL



* 1 - W/ ELECTRONIC MODULATED AIR SUSPENSION
* 2 - W/ ADAPTIVE LASER CRUISE CONTROL

* 3 - W/ LEXUS NAVIGATION SYSTEM
* 4 - W/ LEXUS NAVIGATION SYSTEM