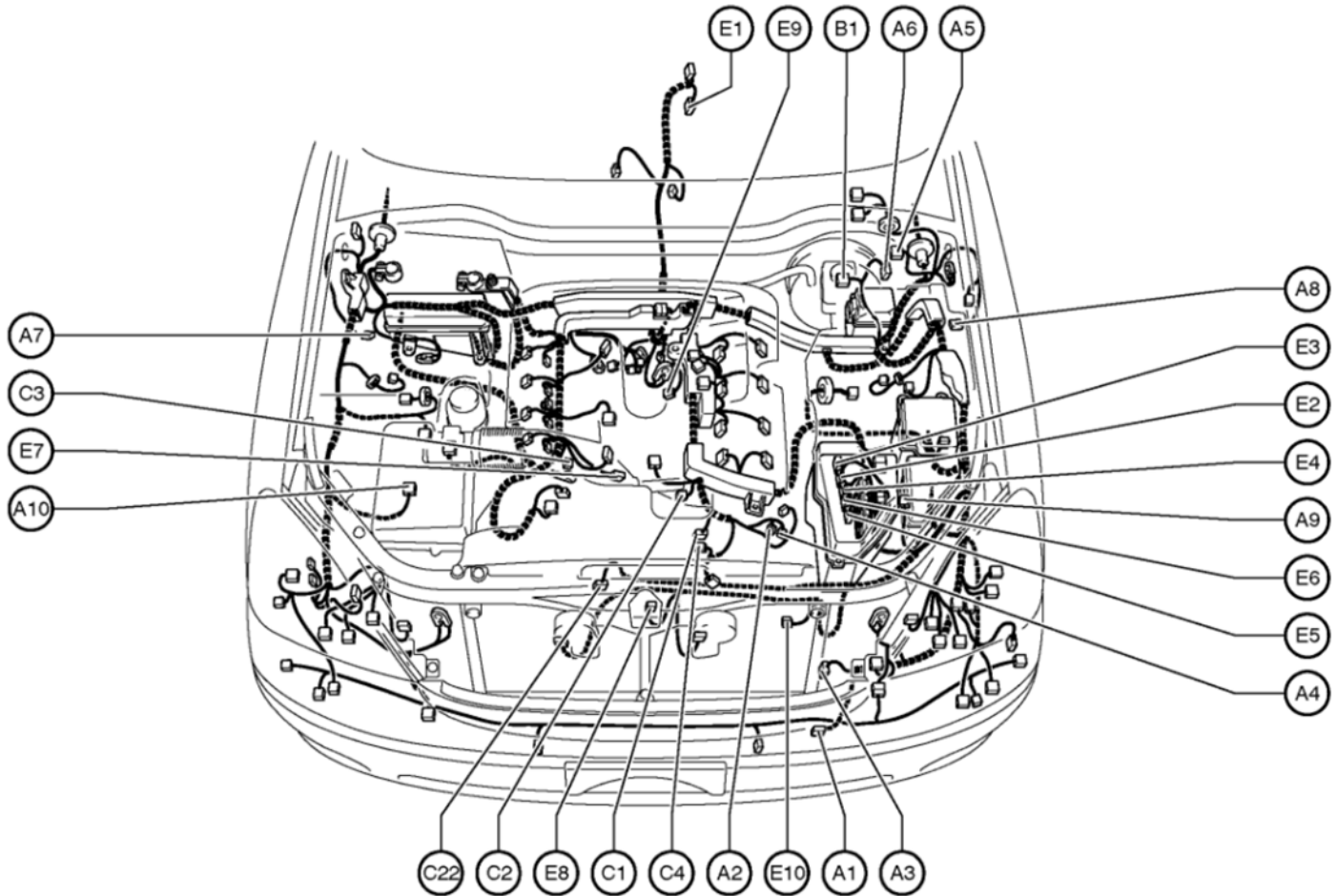


G ELECTRICAL WIRING ROUTING

Position of Parts in Engine Compartment



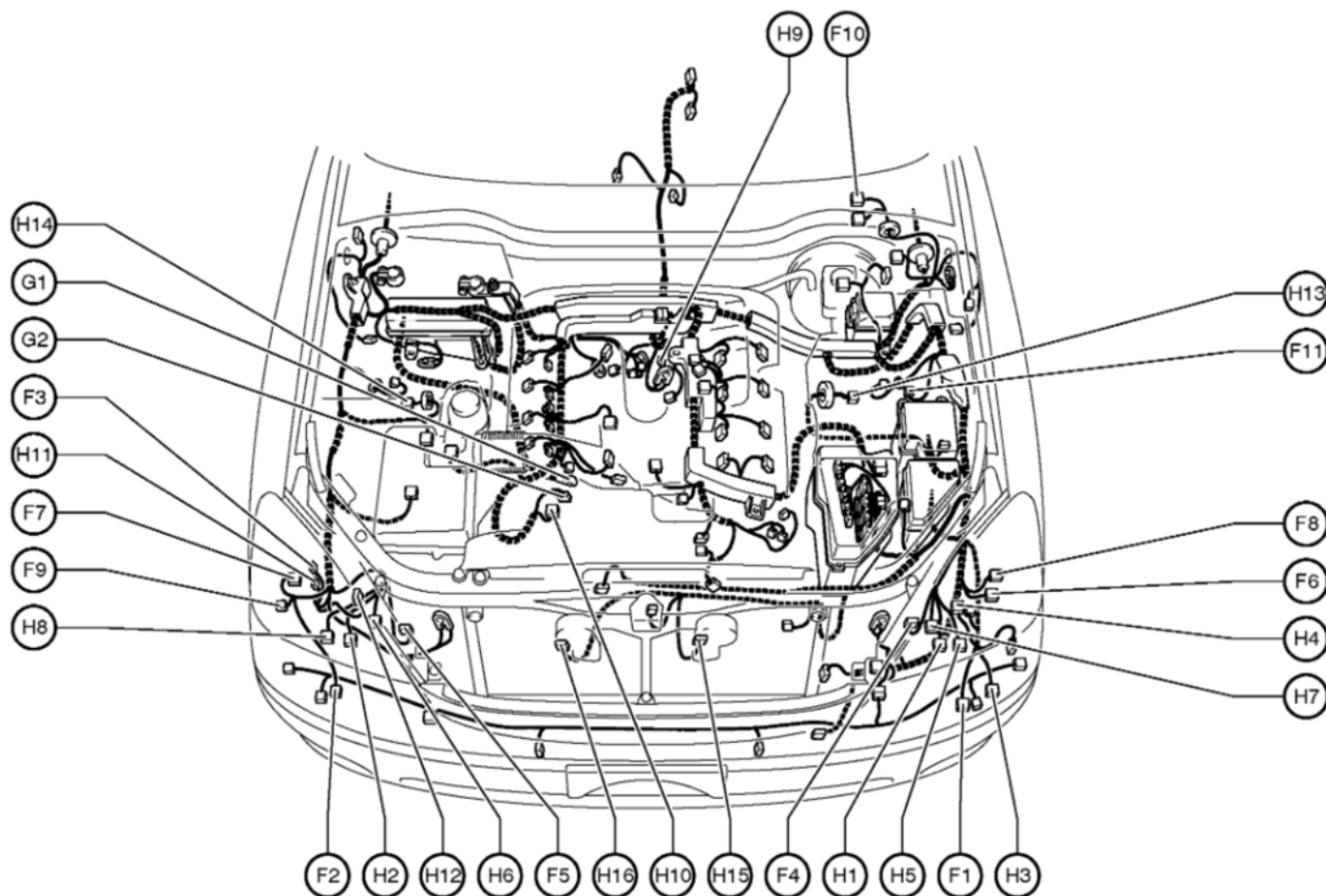
- A 1 A/C Ambient Temp. Sensor
- A 2 A/C Magnetic Clutch and Lock Sensor
- A 3 A/C Pressure Sensor
- A 4 A/C Solenoid
- A 5 ABS & TRAC & VSC Actuator
- A 6 ABS & TRAC & VSC Actuator
- A 7 ABS Speed Sensor and Pad Wear SW Indicator
Front RH
- A 8 ABS Speed Sensor Front LH
- A 9 Airbag Sensor Front LH
- A 10 Airbag Sensor Front RH

- B 1 Brake Fluid Level Warning SW

- C 1 Camshaft Position Sensor
- C 2 Camshaft Timing Oil Control Valve LH
- C 3 Camshaft Timing Oil Control Valve RH
- C 4 Crankshaft Position Sensor
- C 22 Cooling Fan ECU

- E 1 Electronically Controlled Transmission Solenoid
- E 2 Engine Control Module
- E 3 Engine Control Module
- E 4 Engine Control Module
- E 5 Engine Control Module
- E 6 Engine Control Module
- E 7 Engine Coolant Temp. Sensor
- E 8 Engine Hood Courtesy SW
- E 9 Engine Oil Level Sensor
- E 10 Exhaust Gas Sensor

Position of Parts in Engine Compartment



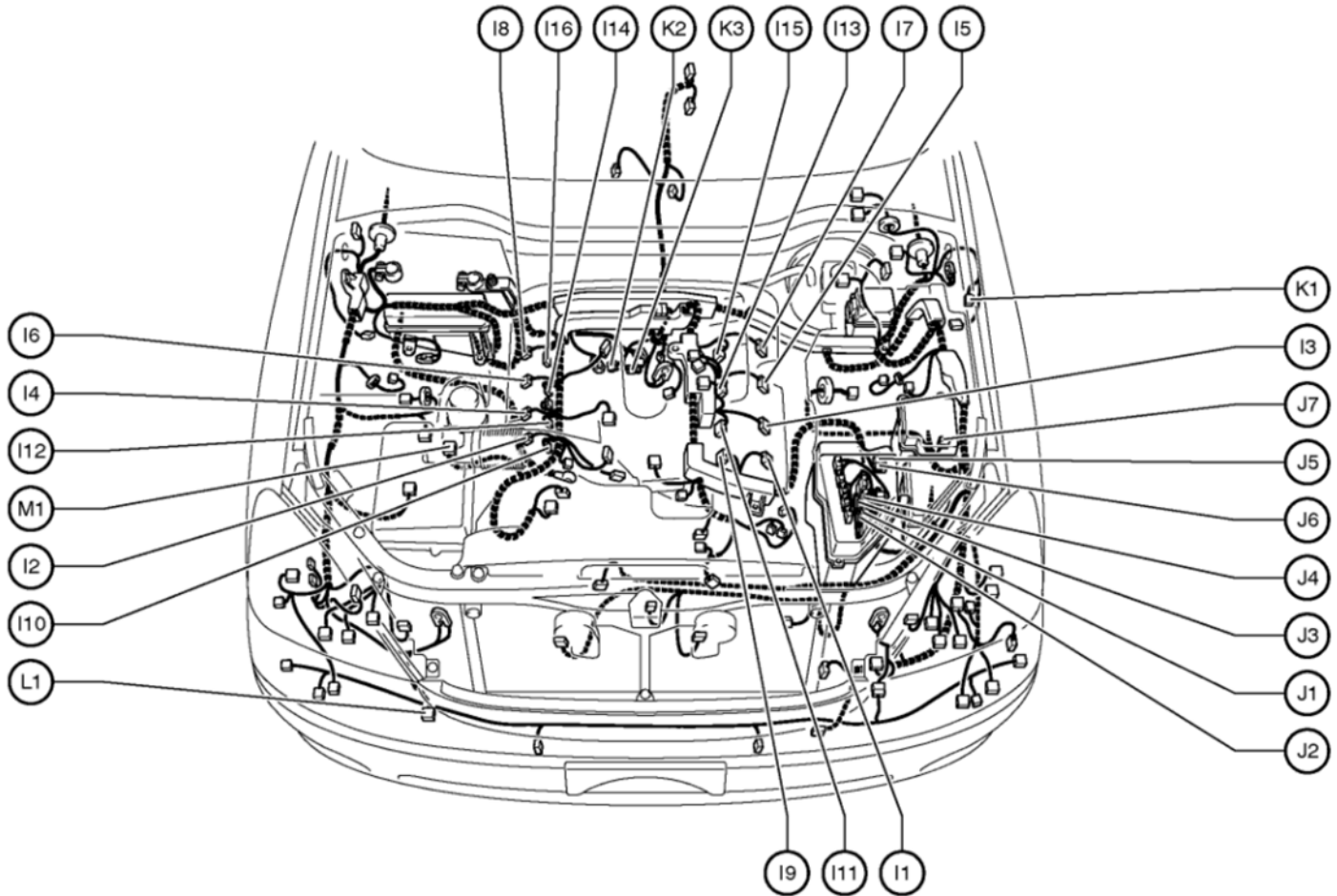
F 1 Front Fog Light LH
 F 2 Front Fog Light RH
 F 3 Front Height Control Valve
 F 4 Front Parking Light LH
 F 5 Front Parking Light RH
 F 6 Front Side Marker Light LH
 F 7 Front Side Marker Light RH
 F 9 Front Turn Signal Light RH
 F 10 Front Wiper Motor
 F 11 Fuel Pump Resistor

G 1 Generator
 G 2 Generator

H 1 Headlight Beam Level Control Actuator LH
 H 2 Headlight Beam Level Control Actuator RH
 H 3 Headlight Cleaner Control Relay
 H 4 Headlight Cleaner Motor
 H 5 Headlight Control ECU LH
 H 6 Headlight Control ECU RH
 H 7 Headlight LH (High)
 H 8 Headlight RH (High)
 H 9 Heated Oxygen Sensor (Bank 1 Sensor 1)
 H 10 Heated Oxygen Sensor (Bank 2 Sensor 1)
 H 11 Height Control Compressor
 H 12 Height Control Exhaust Valve
 H 13 Height Control Sensor Front LH
 H 14 Height Control Sensor Front RH
 H 15 Horn (High)
 H 16 Horn (Low)

G ELECTRICAL WIRING ROUTING

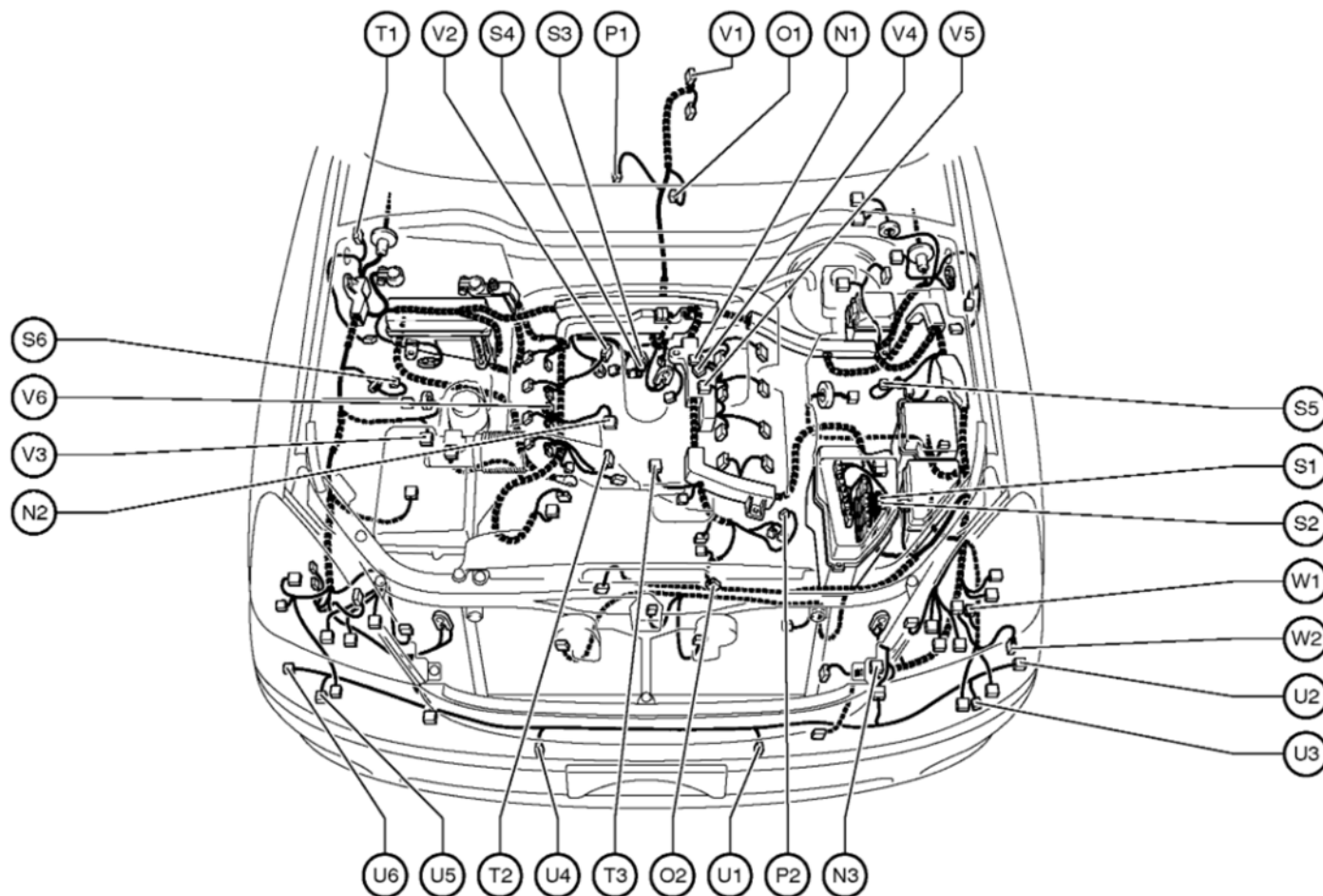
Position of Parts in Engine Compartment



- I 1 Ignition Coil and Igniter No.1
- I 2 Ignition Coil and Igniter No.2
- I 3 Ignition Coil and Igniter No.3
- I 4 Ignition Coil and Igniter No.4
- I 5 Ignition Coil and Igniter No.5
- I 6 Ignition Coil and Igniter No.6
- I 7 Ignition Coil and Igniter No.7
- I 8 Ignition Coil and Igniter No.8
- I 9 Injector No.1
- I 10 Injector No.2
- I 11 Injector No.3
- I 12 Injector No.4
- I 13 Injector No.5
- I 14 Injector No.6
- I 15 Injector No.7
- I 16 Injector No.8

- J 1 Junction Connector
- J 2 Junction Connector
- J 3 Junction Connector
- J 4 Junction Connector
- J 5 Junction Connector
- J 6 Junction Connector
- J 7 Junction Connector
- K 1 Keyless Buzzer
- K 2 Knock Sensor LH
- K 3 Knock Sensor RH
- L 1 Laser Radar Sensor
- M 1 Mass Air Flow Meter

Position of Parts in Engine Compartment



N 1 Noise Filter (Ignition Left Bank)
 N 2 Noise Filter (Ignition Right Bank)
 N 3 Noise Filter (Rear Window Defogger)

O 1 O/D Direct Clutch Speed Sensor
 O 2 Oil Pressure SW

P 1 Park/Neutral Position SW
 P 2 PPS Solenoid

S 1 Short Connector
 S 2 Short Connector
 S 3 Starter
 S 4 Starter
 S 5 Suspension Control Actuator Front LH
 S 6 Suspension Control Actuator Front RH

T 1 Theft Deterrent Horn
 T 2 Throttle Control Motor
 T 3 Throttle Position Sensor

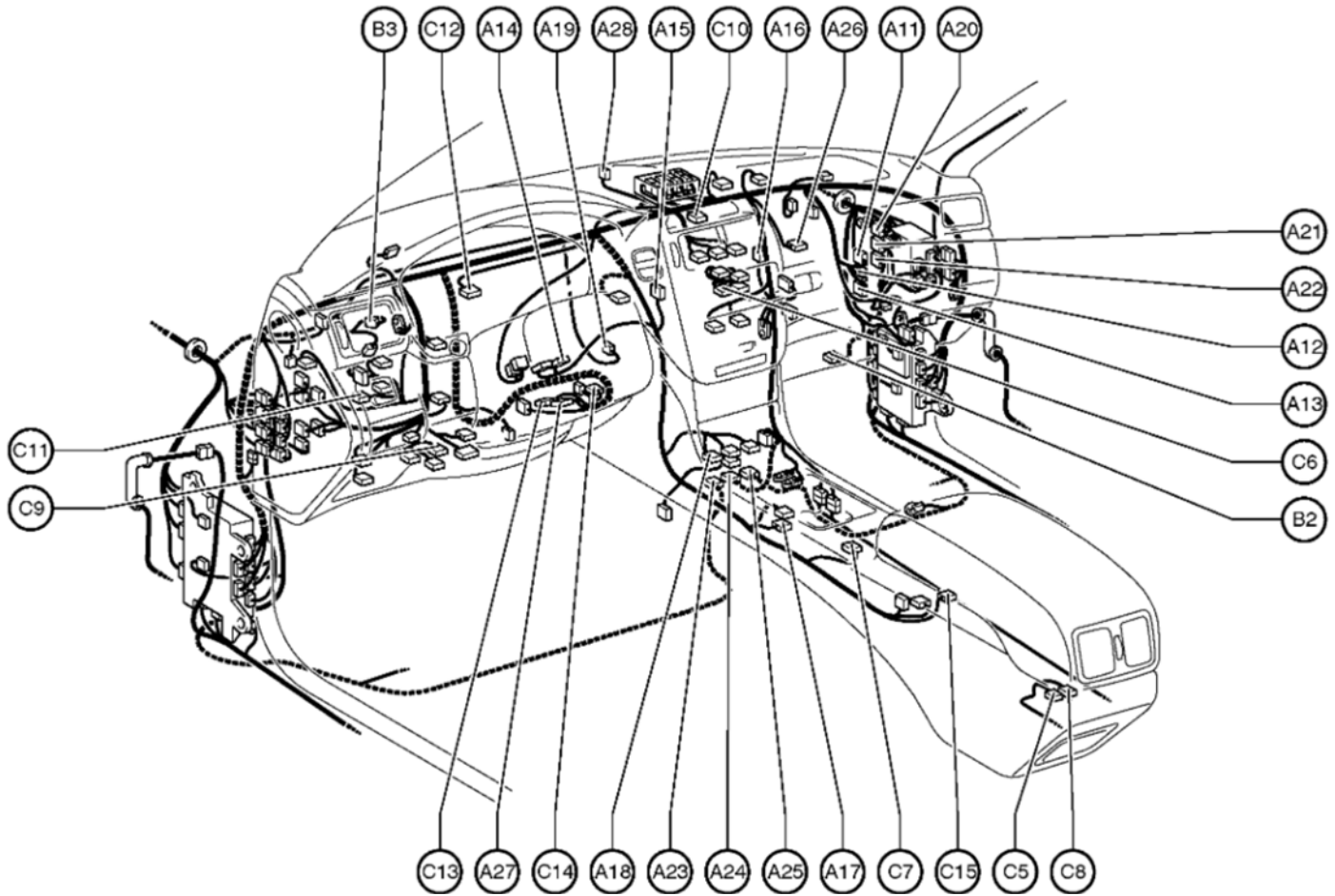
U 1 Ultrasonic Sensor (Front Left Center)
 U 2 Ultrasonic Sensor (Front Left)
 U 3 Ultrasonic Sensor (Front Left Side)
 U 4 Ultrasonic Sensor (Front Right Center)
 U 5 Ultrasonic Sensor (Front Right)
 U 6 Ultrasonic Sensor (Front Right Side)

V 1 Vehicle Speed Sensor
 V 2 VSV (ACIS)
 V 3 VSV (Canister Closed Valve)
 V 4 VSV (EVAP)
 V 5 VVT Sensor LH
 V 6 VVT Sensor RH

W 1 Washer Level Sensor
 W 2 Washer Motor

G ELECTRICAL WIRING ROUTING

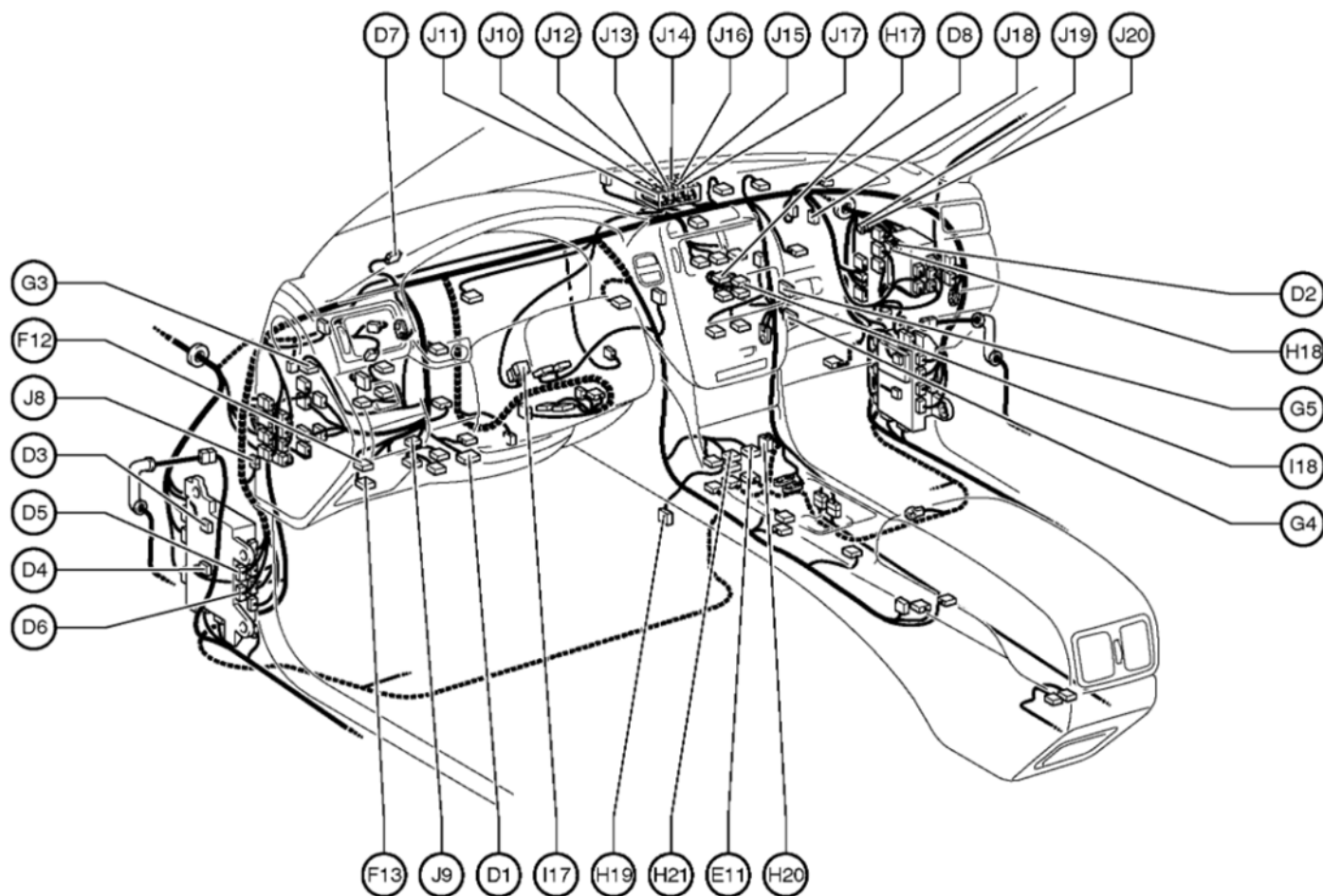
Position of Parts in Instrument Panel



- A 11 A/C Control Assembly
- A 12 A/C Control Assembly
- A 13 A/C Control Assembly
- A 14 A/C Room Temp. Sensor
- A 15 A/C Room Temp. SW (Driver's Side)
- A 16 A/C Room Temp. SW (Front Passenger's Side)
- A 17 A/T Shift Lever Illumination
- A 18 Absorber Control SW
- A 19 Accel Position Sensor
- A 20 Air Suspension ECU
- A 21 Air Suspension ECU
- A 22 Air Suspension ECU
- A 23 Airbag Sensor Assembly
- A 24 Airbag Sensor Assembly
- A 25 Airbag Sensor Assembly
- A 26 Airbag Squib (Front Passenger Airbag Assembly)
- A 27 Airbag Squib (Steering Wheel Pad)
- A 28 Automatic Light Control Sensor and A/C Solar Sensor (Front)

- B 2 Blower Motor
- B 3 Brake Pedal Load Sensing SW
- C 5 Cellular Phone
- C 6 Center Cluster Integration Panel
- C 7 Cigarette Lighter (Front)
- C 8 Cigarette Lighter (Rear)
- C 9 Clearance Sonar Buzzer (Front)
- C 10 Clock
- C 11 Coin Box Illumination
- C 12 Combination Meter
- C 13 Combination SW
- C 14 Combination SW
- C 15 Console Box Illumination

Position of Parts in Instrument Panel



D 1 Data Link Connector 3
 D 2 Distance Control ECU
 D 3 Driver Side J/B ECU
 D 4 Driver Side J/B ECU
 D 5 Driver Side J/B ECU
 D 6 Driver Side J/B ECU
 D 7 Duct Sensor (Driver's Side)
 D 8 Duct Sensor (Front Passenger's Side)

E 11 Electronically Controlled Transmission
 Pattern Select SW

F 12 Fuel Lid Opener SW
 F 13 Fuel Lid Opener SW Illumination

G 3 Gateway ECU
 G 4 Glove Box Light No.1
 G 5 Glove Box Light No.2

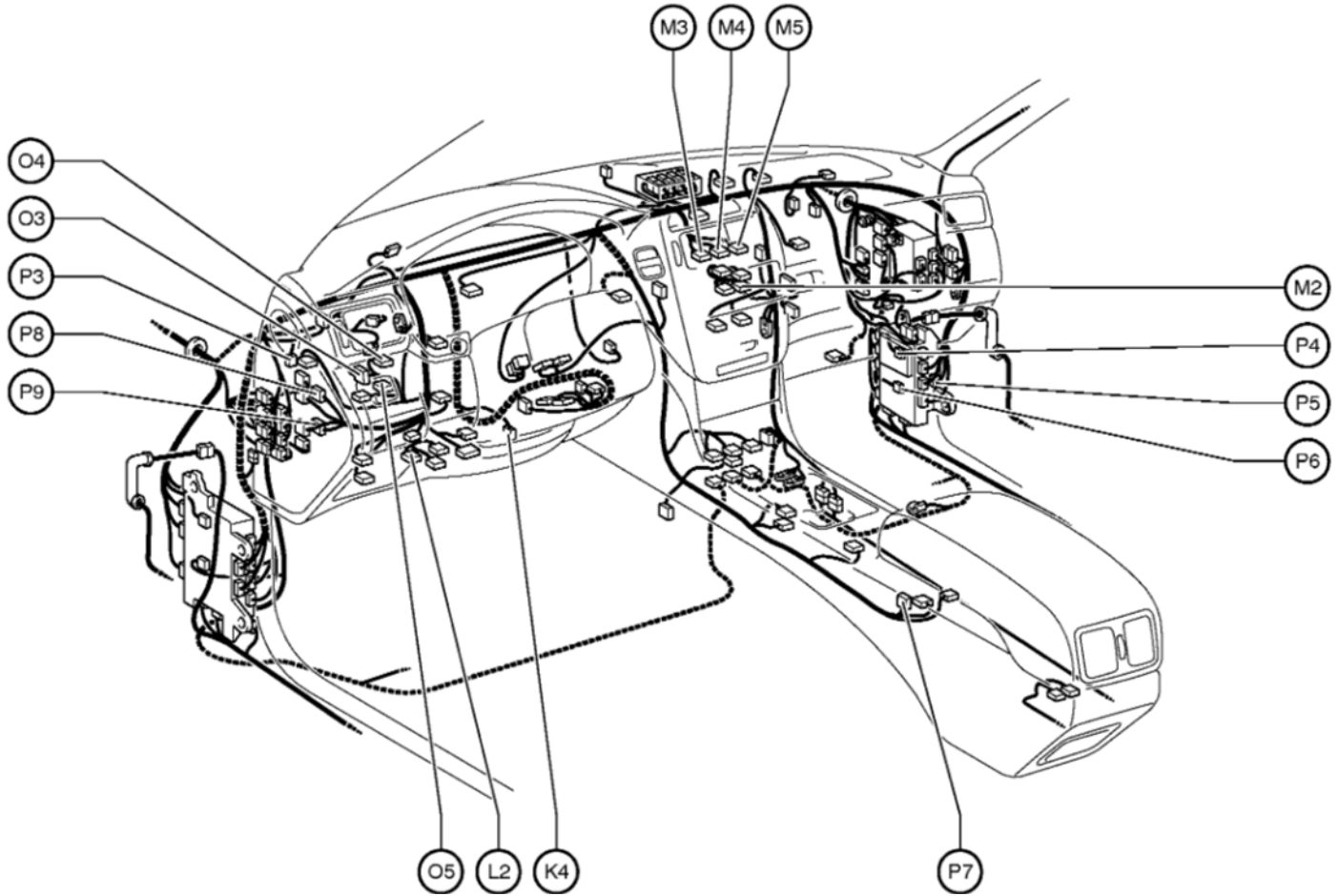
H 17 Hazard SW
 H 18 Headlight Beam Level Control ECU
 H 19 Heated Oxygen Sensor (Bank 1 Sensor 2)
 H 20 Heated Oxygen Sensor (Bank 2 Sensor 2)
 H 21 Height Control SW

I 17 Ignition SW
 I 18 Instrument Panel Register

J 8 Junction Connector
 J 9 Junction Connector
 J 10 Junction Connector
 J 11 Junction Connector
 J 12 Junction Connector
 J 13 Junction Connector
 J 14 Junction Connector
 J 15 Junction Connector
 J 16 Junction Connector
 J 17 Junction Connector
 J 18 Junction Connector
 J 19 Junction Connector
 J 20 Junction Connector

G ELECTRICAL WIRING ROUTING

Position of Parts in Instrument Panel



K 4 Keyless Buzzer On/Off SW

L 2 Luggage Compartment Door Opener SW

M 2 Magnetic Field Sensor

M 3 Multi-Display

M 4 Multi-Display

M 5 Multi-Display

O 3 Outer Mirror SW

O 4 Outer Mirror SW

O 5 Outer Mirror SW

P 3 Parking Brake SW

P 4 Passenger Side J/B ECU

P 5 Passenger Side J/B ECU

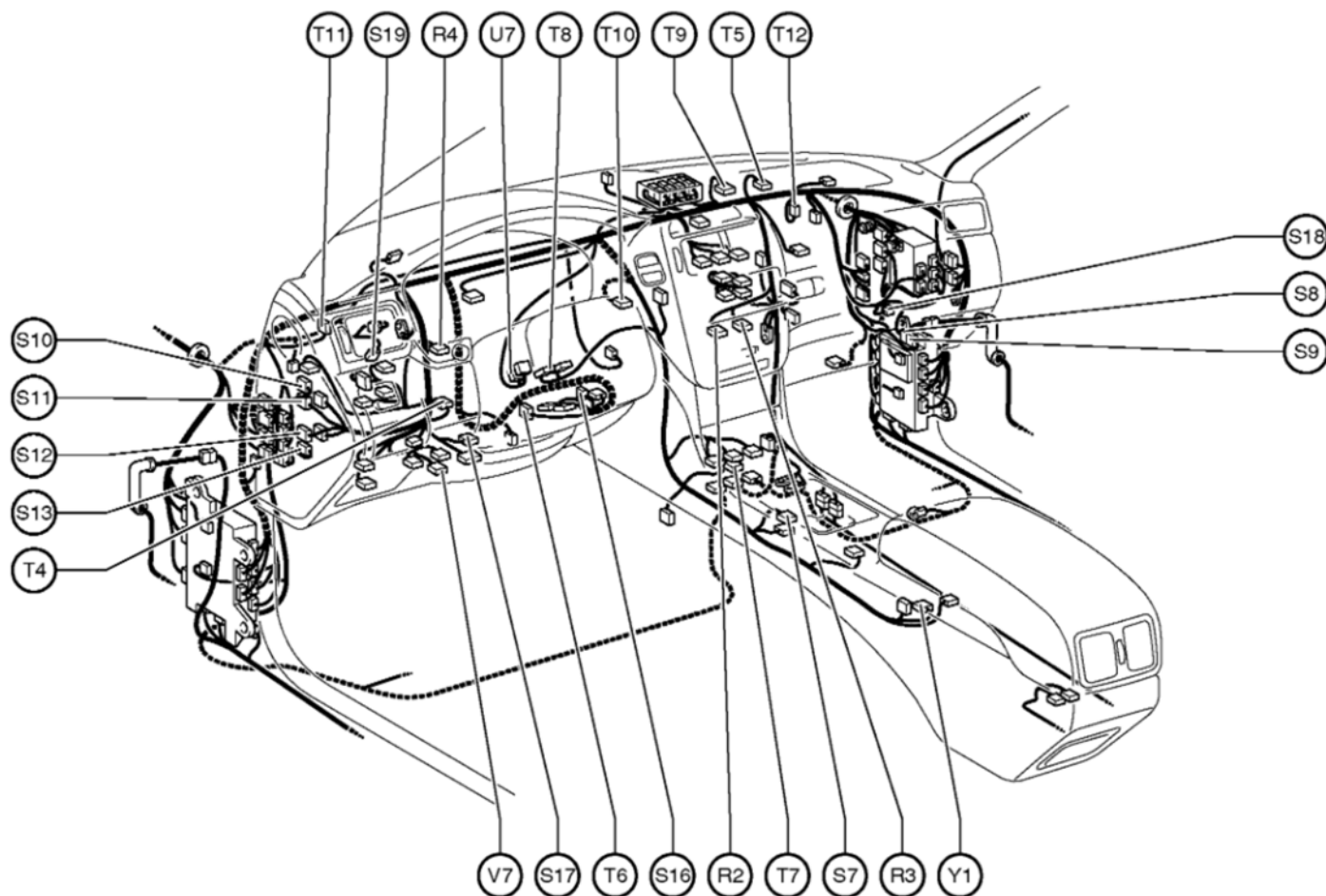
P 6 Passenger Side J/B ECU

P 7 Power Outlet

P 8 Power Tilt and Power Telescopic ECU

P 9 Power Tilt and Power Telescopic ECU

Position of Parts in Instrument Panel



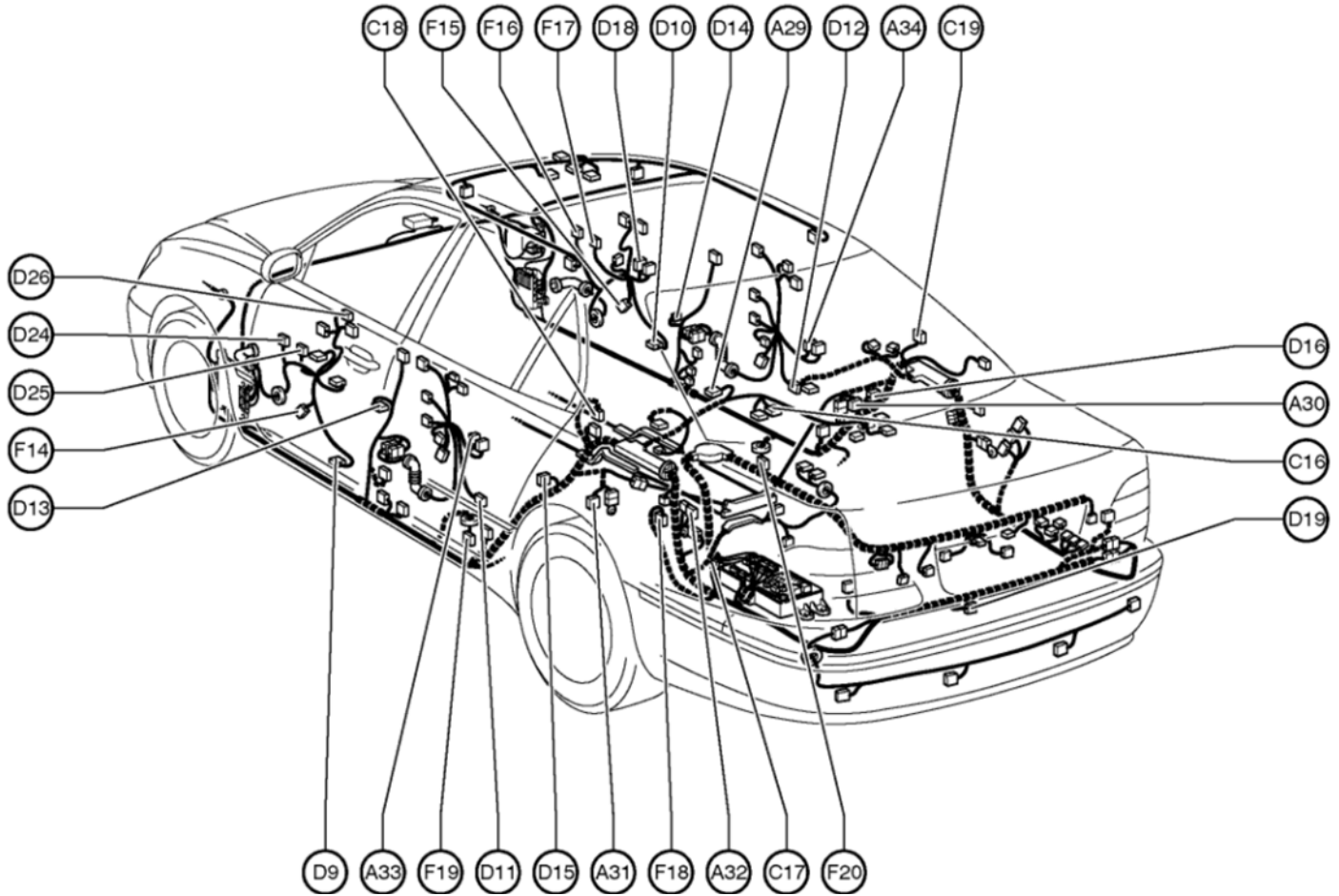
R 2 Radio and Player
 R 3 Radio and Player
 R 4 Rheostat

S 7 Shift Lock Control ECU
 S 8 Short Connector (Height Control)
 S 9 Short Connector (Height Control)
 S10 Skid Control ECU
 S11 Skid Control ECU
 S12 Skid Control ECU
 S13 Skid Control ECU
 S16 Steering Sensor
 S17 Step Light LH
 S18 Step Light RH
 S19 Stop Light SW

T 4 Telescopic Motor and Position Sensor
 T 5 Theft Deterrent ECU
 T 6 Tilt Motor and Position Sensor
 T 7 Traction Control SW, Seat Heater SW LH,
 Seat Heater SW RH, Climate Control Seat SW LH,
 Climate Control Seat SW RH, Headlight Cleaner SW,
 Rear Sunshade SW, Rear Seat Reset SW
 T 8 Transponder Key Amplifier
 T 9 Transponder Key Computer
 T10 Trip SW
 T11 Tweeter Front LH
 T12 Tweeter Front RH
 U 7 Unlock Warning SW
 V 7 VSC Warning Buzzer
 Y 1 Yaw Rate Sensor

G ELECTRICAL WIRING ROUTING

Position of Parts in Body



A29 A/C Solar Sensor (Rear)

A30 ABS Speed Sensor and Pad Wear Indicator SW
Rear RH

A31 ABS Speed Sensor Rear LH

A32 Acceleration Sensor

A33 Ashtray Illumination Rear LH

A34 Ashtray Illumination Rear RH

C16 Clearance Sonar Buzzer (Rear)

C17 Clearance Sonar ECU

C18 Curtain Shield Airbag Squib LH

C19 Curtain Shield Airbag Squib RH

D 9 Door Courtesy Light Front LH

D10 Door Courtesy Light Front RH

D11 Door Courtesy Light Rear LH

D12 Door Courtesy Light Rear RH

D13 Door Courtesy SW Front LH

D14 Door Courtesy SW Front RH

D15 Door Courtesy SW Rear LH

D16 Door Courtesy SW Rear RH

D18 Door Lock Control SW Front RH

D19 Door Lock SW (Luggage)

D24 Driver Door ECU

D25 Driver Door ECU

D26 Driving Position Memory SW

F 14 Front Door Speaker LH

F 15 Front Door Speaker RH

F 16 Front Passenger Door ECU

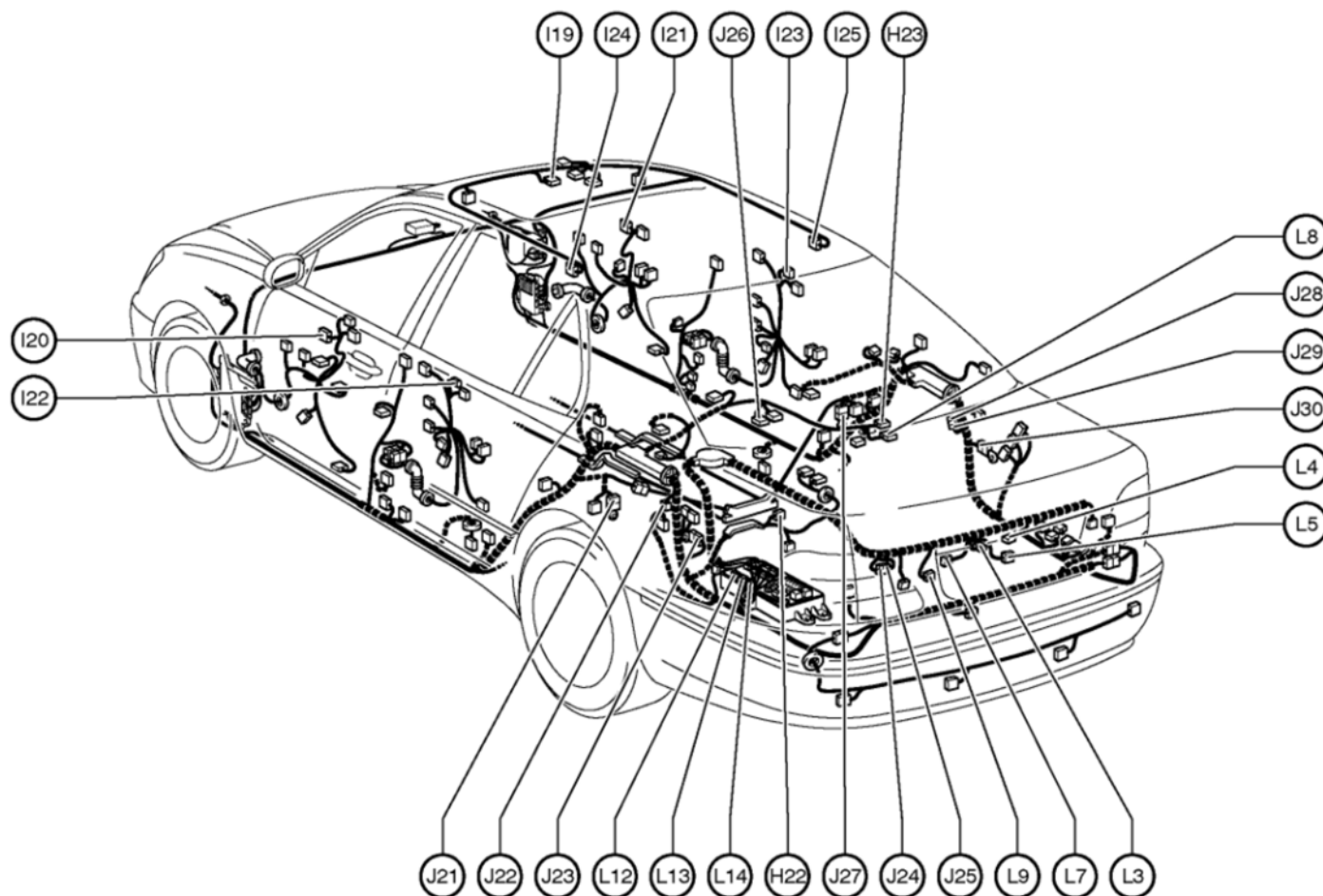
F 17 Front Passenger Door ECU

F 18 Fuel Lid Opener Motor

F 19 Fuel Pump and Fuel Sender (Main)

F 20 Fuel Sender (Sub)

Position of Parts in Body



H22 Height Control Sensor Rear
H23 High Mounted Stop Light

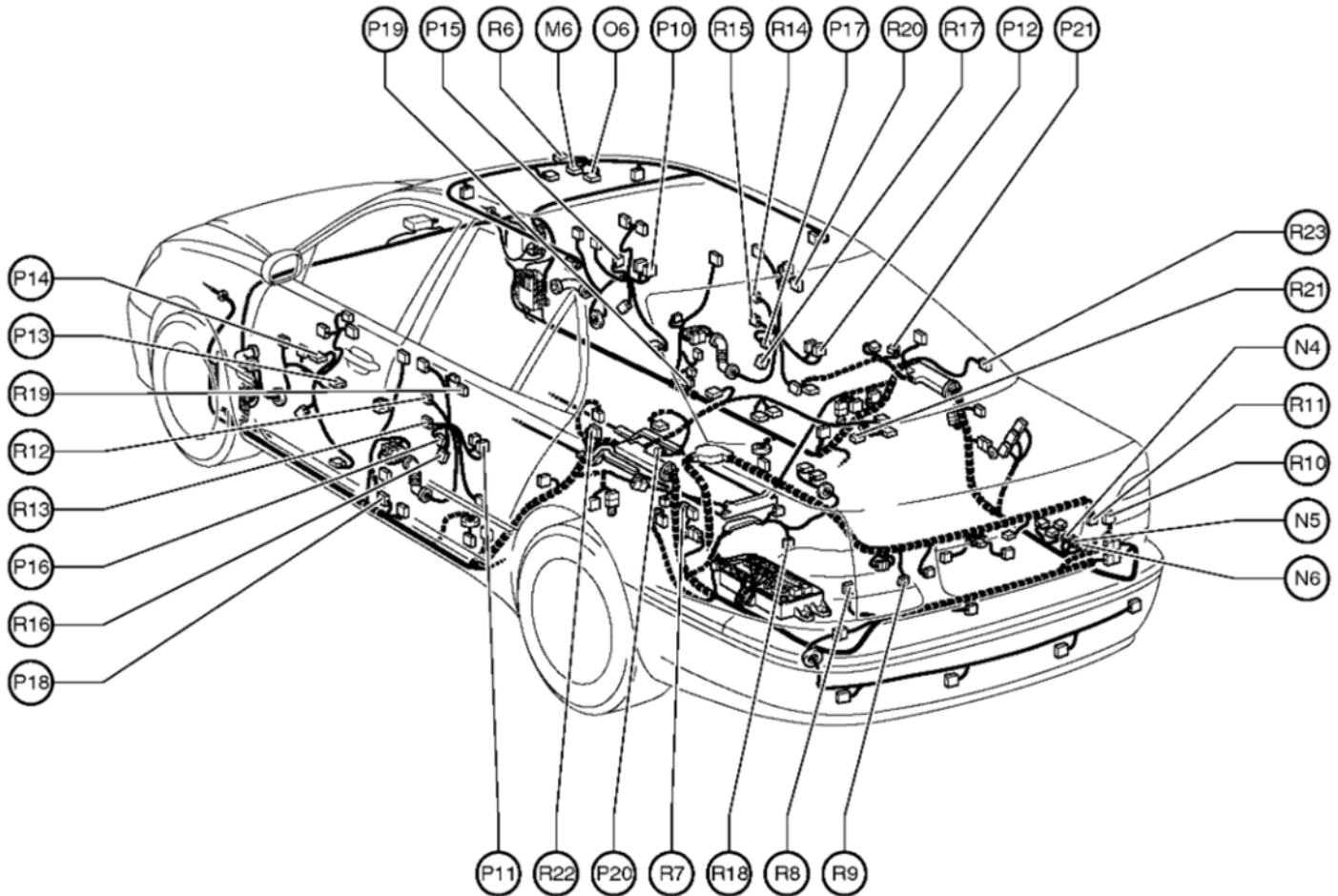
I 19 Inner Mirror
I 20 Inside Handle Illumination Front LH
I 21 Inside Handle Illumination Front RH
I 22 Inside Handle Illumination Rear LH
I 23 Inside Handle Illumination Rear RH
I 24 Interior Light Rear LH
I 25 Interior Light Rear RH

J 21 Junction Connector
J 22 Junction Connector
J 23 Junction Connector
J 24 Junction Connector
J 25 Junction Connector
J 26 Junction Connector
J 27 Junction Connector
J 28 Junction Connector
J 29 Junction Connector
J 30 Junction Connector

L 3 License Plate Light LH
L 4 License Plate Light RH
L 5 Luggage Compartment Door Closer Motor
L 7 Luggage Compartment Door Key Unlock SW
L 8 Luggage Compartment Light No.1
L 9 Luggage Compartment Light No.2
L 12 Luggage Room J/B ECU
L 13 Luggage Room J/B ECU
L 14 Luggage Room J/B ECU

G ELECTRICAL WIRING ROUTING

Position of Parts in Body



M 6 Moon Roof Control ECU

N 4 Navigation ECU

N 5 Navigation ECU

N 6 Navigation ECU

O 6 Overhead J/B

P10 Power Window Control SW Front RH

P11 Power Window Control SW Rear LH

P12 Power Window Control SW Rear RH

P13 Power Window Master SW

P14 Power Window Motor Front LH

P15 Power Window Motor Front RH

P16 Power Window Motor Rear LH

P17 Power Window Motor Rear RH

P18 Pretensioner Front LH

P19 Pretensioner Front RH

P20 Pretensioner Rear LH

P21 Pretensioner Rear RH

R 6 Rain Sensor

R 7 Rear A/C Unit

R 8 Rear Combination Light LH

R 9 Rear Combination Light LH

R10 Rear Combination Light RH

R11 Rear Combination Light RH

R12 Rear Door LH ECU

R13 Rear Door LH ECU

R14 Rear Door RH ECU

R15 Rear Door RH ECU

R16 Rear Door Speaker LH

R17 Rear Door Speaker RH

R18 Rear Height Control Valve

R19 Rear Seat Memory SW LH

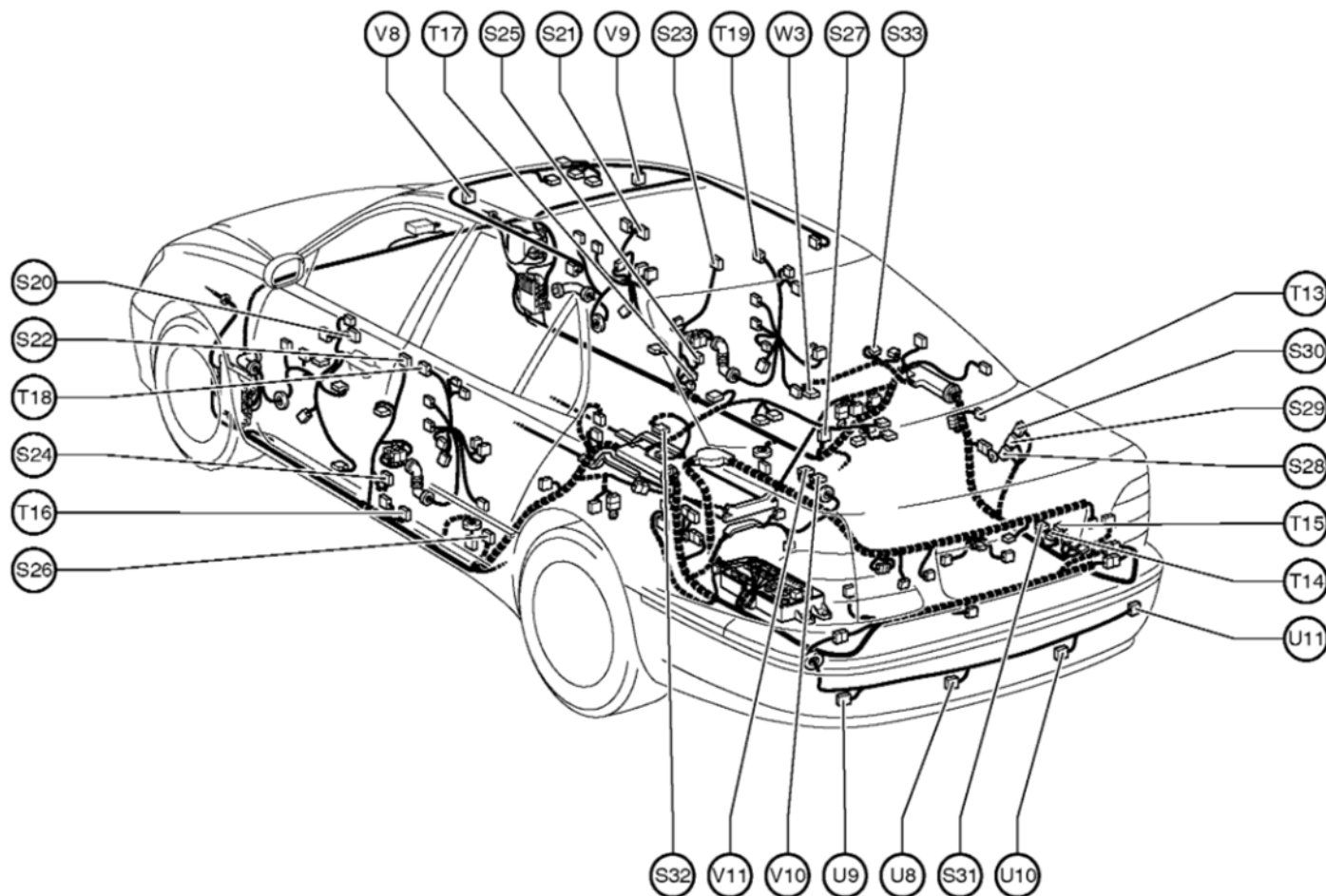
R20 Rear Seat Memory SW RH

R21 Rear Sunshade Control Relay

R22 Rear Window Defogger

R23 Rear Window Defogger

Position of Parts in Body



S20 Shoulder Belt Adjust SW Front LH
 S21 Shoulder Belt Adjust SW Front RH
 S22 Shoulder Belt Anchor Motor and Position Sensor LH
 S23 Shoulder Belt Anchor Motor RH
 S24 Side Airbag Sensor Front LH
 S25 Side Airbag Sensor Front RH
 S26 Side Airbag Sensor Rear LH
 S27 Side Airbag Sensor Rear RH
 S28 Stereo Component Amplifier
 S29 Stereo Component Amplifier
 S30 Stereo Component Amplifier
 S31 Stereo Component Tuner
 S32 Suspension Control Actuator Rear LH
 S33 Suspension Control Actuator Rear RH

T 13 Telephone Transceiver and Speaker Relay
 T 14 Telephone Transceiver and Speaker Relay
 T 15 Telephone Transceiver and Speaker Relay
 T 16 Tension Reducer Solenoid LH
 T 17 Tension Reducer Solenoid RH
 T 18 Tweeter Rear LH
 T 19 Tweeter Rear RH

U 8 Ultrasonic Sensor (Rear Left Center)
 U 9 Ultrasonic Sensor (Rear Left)
 U10 Ultrasonic Sensor (Rear Right Center)
 U11 Ultrasonic Sensor (Rear Right)

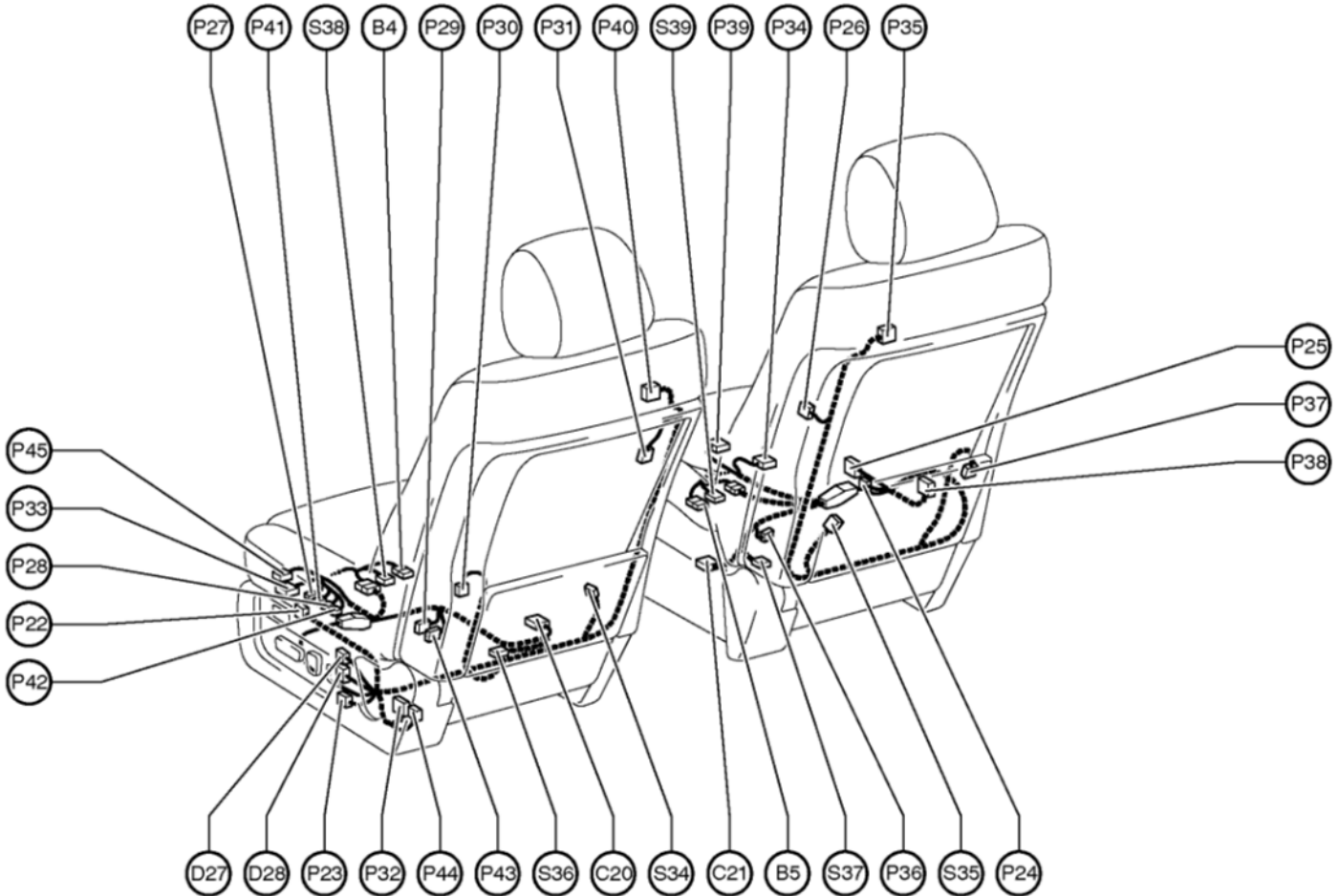
V 8 Vanity Light LH
 V 9 Vanity Light RH
 V10 Vapor Pressure Sensor
 V11 VSV (Pressure Switching Valve)

W 3 Woofer

G ELECTRICAL WIRING ROUTING

Position of Parts in Seat

[Front Seat]



B 4 Buckle SW Front LH
 B 5 Buckle SW Front RH

C20 Climate Control Seat ECU (Driver's Seat)
 C21 Climate Control Seat ECU (Front Passenger's Seat)

D27 Driver Seat ECU
 D28 Driver Seat ECU

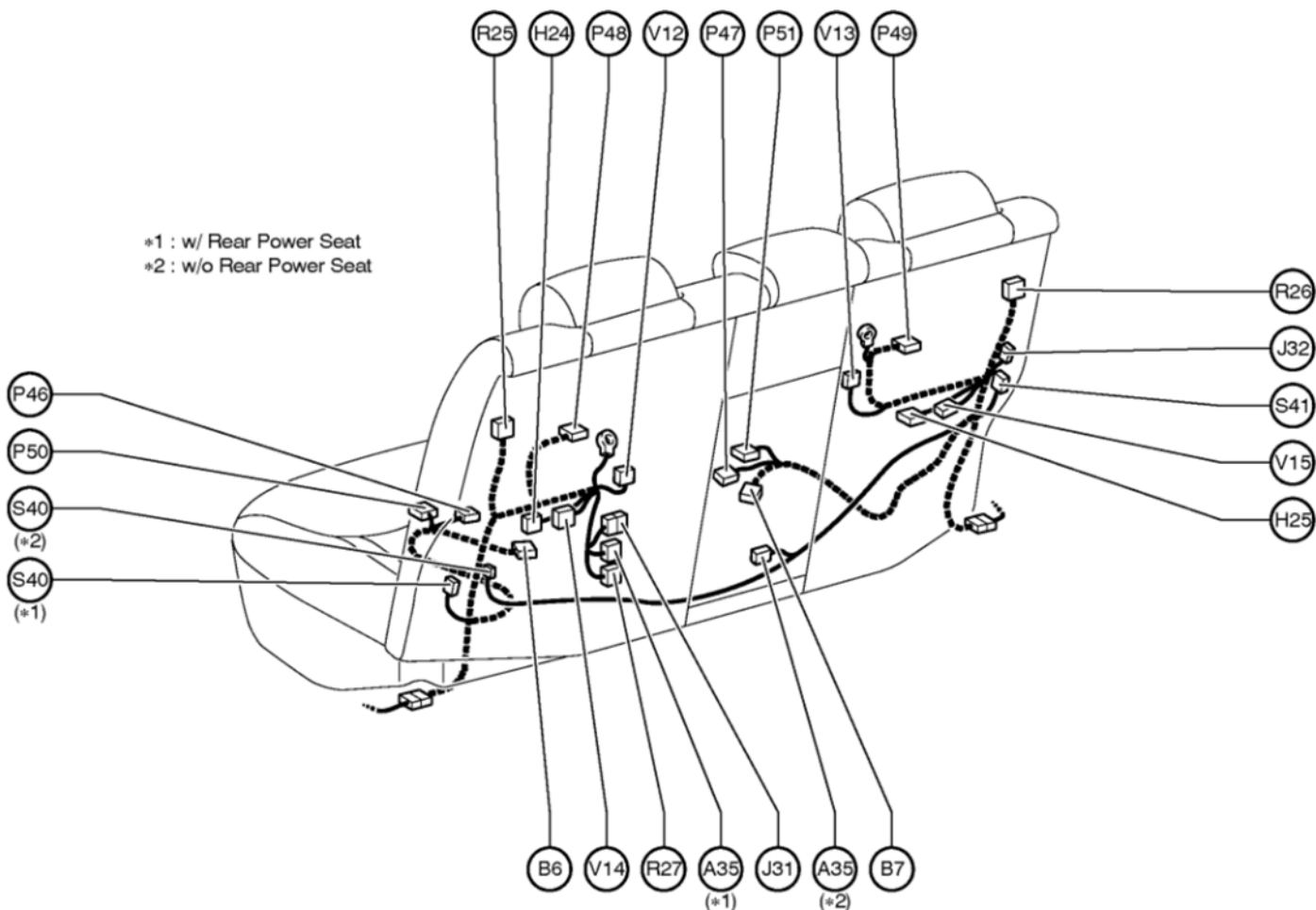
P22 Power Seat Control SW (Driver's Seat Cushion)
 P23 Power Seat Control SW (Driver's Seat Lumbar Support)
 P24 Power Seat Control SW
 (Front Passenger's Seat Lumbar Support)
 P25 Power Seat Control SW (Front Passenger's Seat)
 P26 Power Seat Control SW Sub (Front Passenger's Seat)
 P27 Power Seat Motor (Driver's Seat Cushion Control)
 P28 Power Seat Motor (Driver's Seat Front Vertical Control)
 P29 Power Seat Motor (Driver's Seat Lifter Control)
 P30 Power Seat Motor
 (Driver's Seat Lumbar Support Lower Side Control)
 P31 Power Seat Motor
 (Driver's Seat Lumbar Support Upper Side Control)
 P32 Power Seat Motor (Driver's Seat Reclining Control)
 P33 Power Seat Motor (Driver's Seat Slide Control)
 P34 Power Seat Motor
 (Front Passenger's Seat Front Vertical Control)

P35 Power Seat Motor
 (Front Passenger's Seat Head Rest Control)
 P36 Power Seat Motor
 (Front Passenger's Seat Lifter Control)
 P37 Power Seat Motor
 (Front Passenger's Seat Lumbar Support Control)
 P38 Power Seat Motor
 (Front Passenger's Seat Reclining Control)
 P39 Power Seat Motor
 (Front Passenger's Seat Slide Control)
 P40 Power Seat Motor and Position Sensor
 (Driver's Seat Head Rest Control)
 P41 Power Seat Position Sensor
 (Driver's Seat Cushion Control)
 P42 Power Seat Position Sensor
 (Driver's Seat Front Vertical Control)
 P43 Power Seat Position Sensor (Driver's Seat Lifter Control)
 P44 Power Seat Position Sensor
 (Driver's Seat Reclining Control)
 P45 Power Seat Position Sensor (Driver's Seat Slide Control)

 S34 Seat Climate Controller LH (Seat Back)
 S35 Seat Climate Controller RH (Seat Back)
 S36 Seat Heater Front LH
 S37 Seat Heater Front RH
 S38 Side Airbag Squib LH
 S39 Side Airbag Squib RH

Position of Parts in Seat

[Rear Seat]



A35 Audio and Rear A/C Control SW

B 6 Buckle SW Rear LH

B 7 Buckle SW Rear RH

H24 Head Rest Limit SW Rear LH

H25 Head Rest Limit SW Rear RH

J 31 Junction Connector

J 32 Junction Connector

P46 Power Seat Motor
(Rear Passenger's LH Seat Slide Control)

P47 Power Seat Motor
(Rear Passenger's RH Seat Slide Control)

P48 Power Seat Motor and Position Sensor
(Rear Passenger's LH Seat Head Rest Top and Bottom Control)

P49 Power Seat Motor and Position Sensor
(Rear Passenger's RH Seat Head Rest Top and Bottom Control)

P50 Power Seat Position Sensor
(Rear Passenger's LH Seat Slide Control)

P51 Power Seat Position Sensor
(Rear Passenger's RH Seat Slide Control)

R25 Rear LH Seat ECU

R26 Rear RH Seat ECU

R27 Rear Seat Control SW

S40 Seat Heater Rear LH

S41 Seat Heater Rear RH

V12 Vibration Seat ECU LH

V13 Vibration Seat ECU RH

V14 Vibrator LH

V15 Vibrator RH