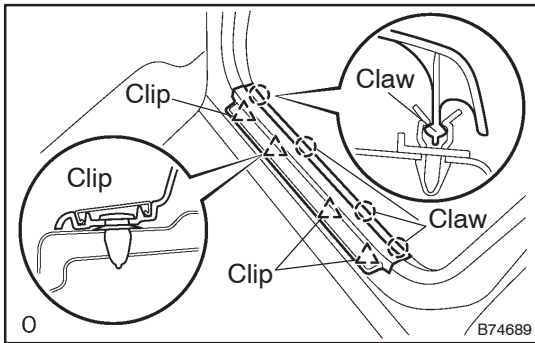


REPLACEMENT

HINT:

- The installation procedures are the removal procedures in reverse order.
 - A bolt without a torque specification is shown in the standard bolt chart (see page 03-2).
1. REMOVE FRONT SEAT ASSY LH (See page 72-3)
 2. REMOVE FRONT SEAT ASSY RH (See page 72-3)
 3. REMOVE REAR SEAT CUSHION ASSY (FIXED TYPE REAR SEAT) (See page 72-13)
 4. REMOVE REAR SEATBACK ASSY (FIXED TYPE REAR SEAT) (See page 72-13)
 5. REMOVE REAR SEAT CUSHION ASSY LH (POWER ADJUSTER TYPE) (See page 72-19)
 6. REMOVE REAR SEAT CUSHION ASSY RH (POWER ADJUSTER TYPE) (See page 72-19)
 7. REMOVE REAR SEAT ASSY LH (POWER ADJUSTER TYPE) (See page 72-19)
 8. REMOVE REAR SEATBACK ASSY (POWER ADJUSTER TYPE) (See page 72-19)



9. REMOVE FRONT DOOR SCUFF PLATE LH

- (a) Using a screwdriver, disengage the 4 claws and 4 clips, and remove the scuff plate.

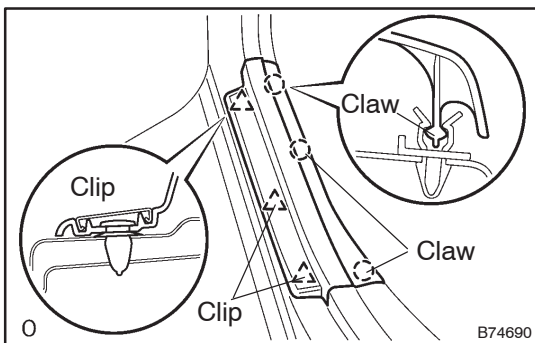
HINT:

Tape the screwdriver tip before use.

10. REMOVE FRONT DOOR SCUFF PLATE RH

HINT:

Use the same procedures described for the LH side.



11. REMOVE REAR DOOR SCUFF PLATE LH

- (a) Using a screwdriver, disengage the 3 claws and 3 clips, and remove the scuff plate.

HINT:

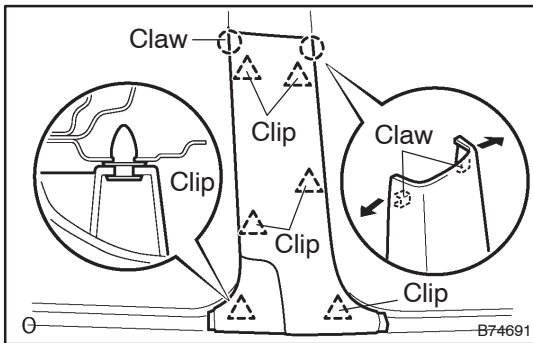
Tape the screwdriver tip before use.

12. REMOVE REAR DOOR SCUFF PLATE RH

HINT:

Use the same procedures described for the LH side.

13. REMOVE FRONT DOOR OPENING TRIM WEATHERSTRIP LH
14. REMOVE FRONT DOOR OPENING TRIM WEATHERSTRIP RH
15. REMOVE REAR DOOR OPENING TRIM WEATHERSTRIP LH
16. REMOVE REAR DOOR OPENING TRIM WEATHERSTRIP RH

**17. REMOVE CENTER PILLAR GARNISH LOWER LH**

- (a) Using a screwdriver, disengage the 2 claws and 6 clips, and remove the garnish.

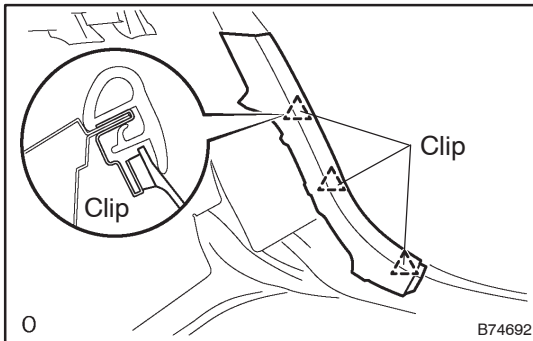
HINT:

Tape the screwdriver tip before use.

18. REMOVE CENTER PILLAR GARNISH LOWER RH

HINT:

Use the same procedures described for the LH side.

**19. REMOVE REAR SEAT SIDE COVER LH**

- (a) Using a screwdriver, disengage the 3 clips and remove the side cover.

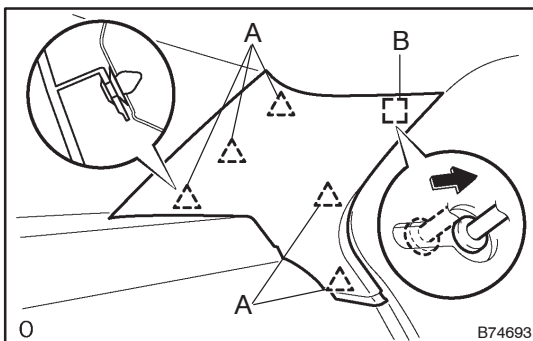
HINT:

Tape the screwdriver tip before use.

20. REMOVE REAR SEAT SIDE COVER RH

HINT:

Use the same procedures described for the LH side.

**21. REMOVE ROOF SIDE GARNISH INNER LH**

- (a) Using a screwdriver, disengage the 5 clips labeled A and the clip labeled B. Then remove the garnish.

HINT:

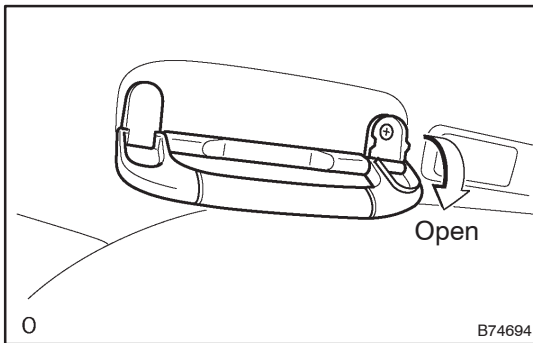
Tape the screwdriver tip before use.

If the clips are damaged during removal, replace them.

22. REMOVE ROOF SIDE GARNISH INNER RH

HINT:

Use the same procedures described for the LH side.

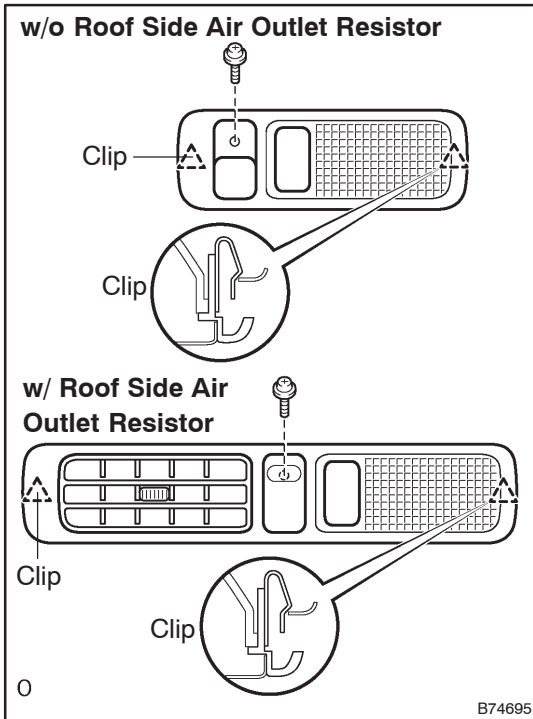
**23. REMOVE ASSIST GRIP SUB-ASSY**

(a) Using a screwdriver, open the screw cap.

HINT:

Tape the screwdriver tip before use.

(b) Remove the 2 screws and assist grip.

**24. REMOVE REAR ROOM LAMP ASSY LH**

(a) Remove the screw.

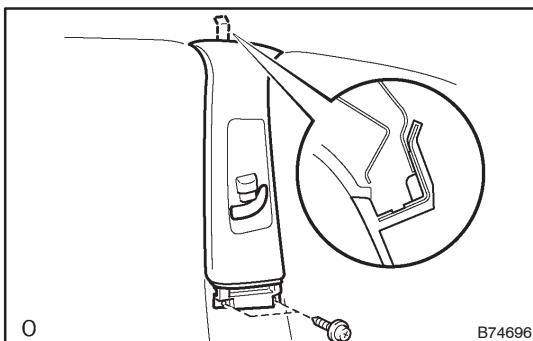
(b) Using a moulding remover, disengage the 2 clips and remove the room lamp.

(c) Disconnect the room lamp connector.

25. REMOVE REAR ROOM LAMP ASSY RH

HINT:

Use the same procedures described for the LH side.

**26. REMOVE CENTER PILLAR GARNISH UPPER LH**

(a) Remove the 2 screws.

(b) Using a screwdriver, disengage the claw and remove the garnish.

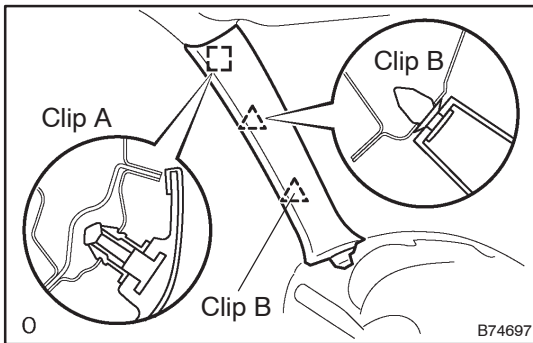
HINT:

Tape the screwdriver tip before use.

27. REMOVE CENTER PILLAR GARNISH UPPER RH

HINT:

Use the same procedures described for the LH side.

**28. REMOVE FRONT PILLAR GARNISH LH**

- (a) Push the upper portion of the front pillar garnish, then pull and release the clip labeled A.
- (b) Using a screwdriver, disengage the 2 clips labeled B and remove the garnish.

HINT:

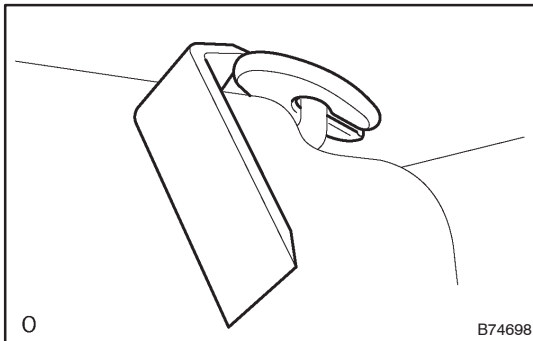
Tape the screwdriver tip before use.

NOTICE:

When installing the front pillar garnish, use a new clip for the upper portion of front pillar garnish.

29. REMOVE FRONT PILLAR GARNISH RH**HINT:**

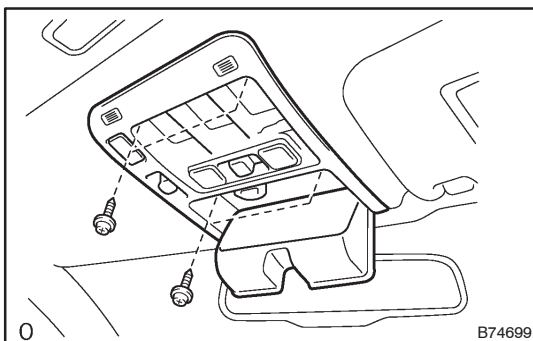
Use the same procedures described for the LH side.

**30. REMOVE LH VISOR ASSY**

- (a) Using a moulding remover, pry out the visor cover.
- (b) Remove the 2 screws.
- (c) Disconnect the connector and remove the visor.

31. REMOVE RH VISOR ASSY**HINT:**

Use the same procedures described for the LH side.

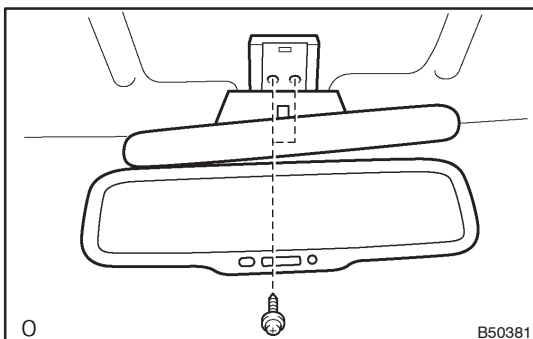
**32. REMOVE MAP LAMP ASSY**

- (a) w/ LEXUS link system:
Open the control switch box.
- (b) w/o LEXUS link system:
Open the upper console.
- (c) Using a screwdriver, pry out the lens.

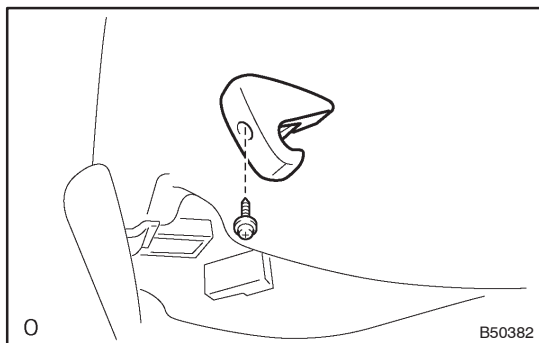
HINT:

Tape the screwdriver tip before use.

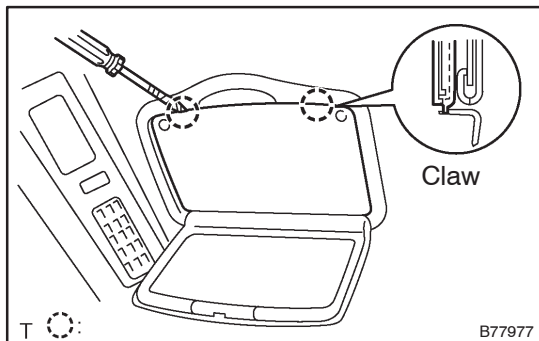
- (d) Remove the 4 screws and map lamp, and then disconnect the connectors.

**33. REMOVE INNER REAR VIEW MIRROR ASSY**

- (a) Remove the 2 screws and mirror.
- (b) Disengage the connector from the body.
- (c) Disconnect the connector.

**34. REMOVE VISOR HOLDER**

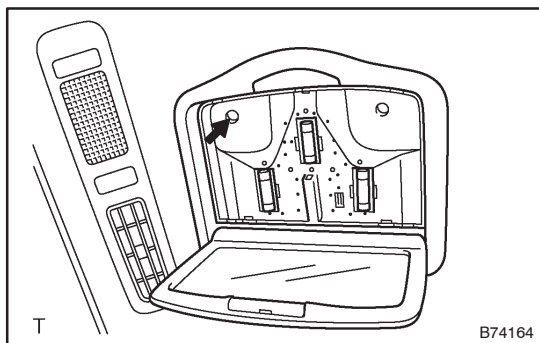
- (a) Remove the screw and visor holder.

**35. REMOVE VANITY LAMP ASSY LH**

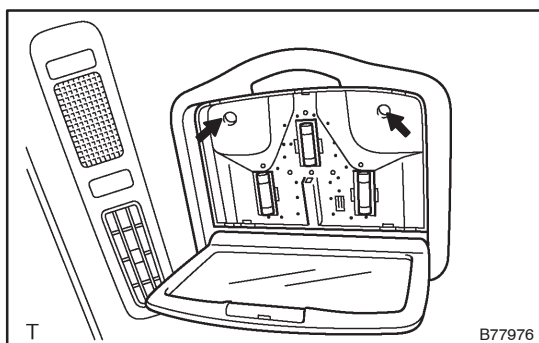
- (a) Using a screwdriver, disengage the 2 claws and remove the lens.

HINT:

Tape the screwdriver tip before use.



- (b) Remove the screw and vanity lamp.

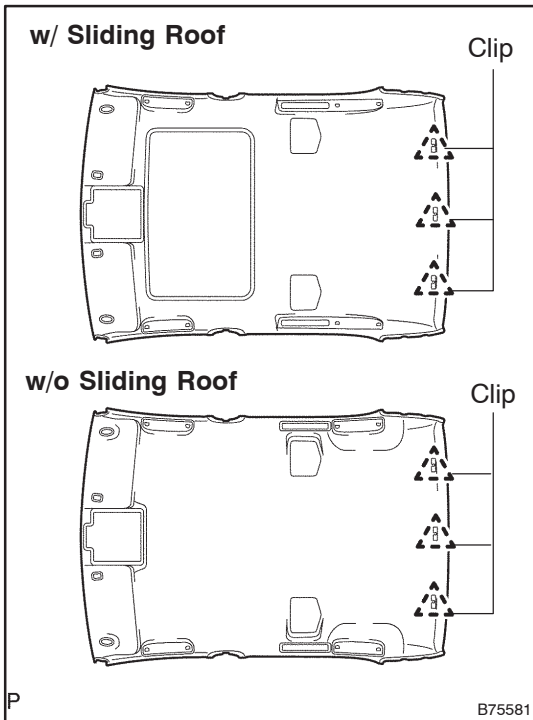


- (c) w/ Sliding roof:
Remove the 2 screws and vanity lamp.

36. REMOVE VANITY LAMP ASSY RH

HINT:

Use the same procedures described for the LH side.

**37. REMOVE ROOF HEADLINING ASSY**

- (a) Disengage the 3 clips.
- (b) Disengage the fasteners.
- (c) w/ Sliding roof.

HINT:

- Slide the roof headlining rearward to release it from the front portion of the sliding roof housing.
 - Slide the roof headlining forward to release it from the rear portion of the sliding roof housing.
- (d) Pull the roof headlining down to remove it.