

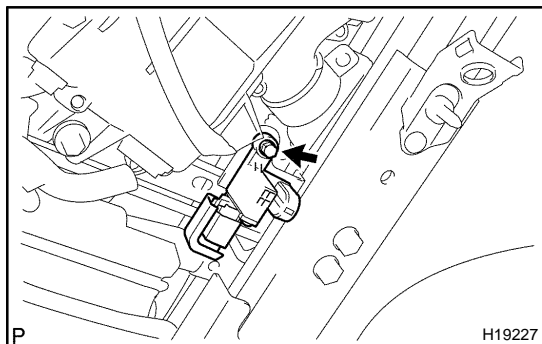
DISASSEMBLY

1. REMOVE FRONT SEAT UNDER TRAY

Remove the 4 screws and front seat under tray.

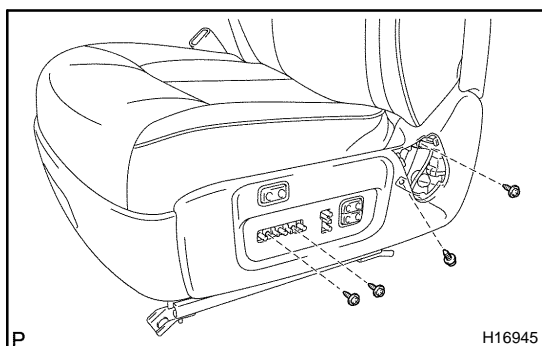
2. REMOVE FRONT SEAT UNDER TRAY RAIL

3. REMOVE POWER SEAT SWITCH KNOBS



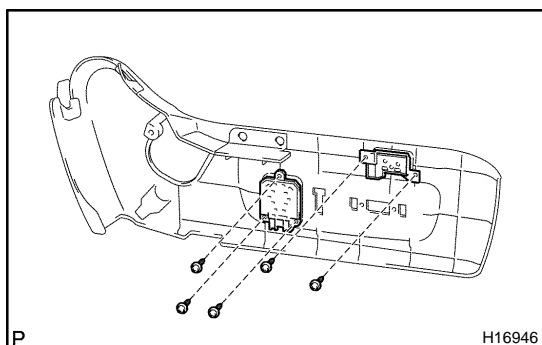
4. REMOVE SEAT POSITION SENSOR ASSEMBLY

Remove the bolt and seat position sensor assembly.



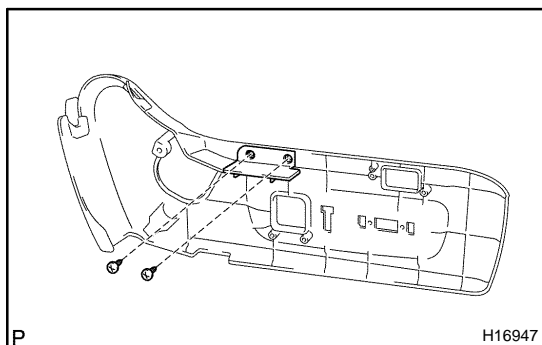
5. REMOVE FRONT SEAT CUSHION SHIELD

Remove the 4 screws and front seat cushion shield.



6. REMOVE SEAT CUSHION SWITCH AND POWER LUMBER SUPPORT SWITCH

- (a) Disconnect the connectors.
- (b) Remove the 2 screws and seat cushion switch.
- (c) Remove the 3 screws and power lumbar support switch.

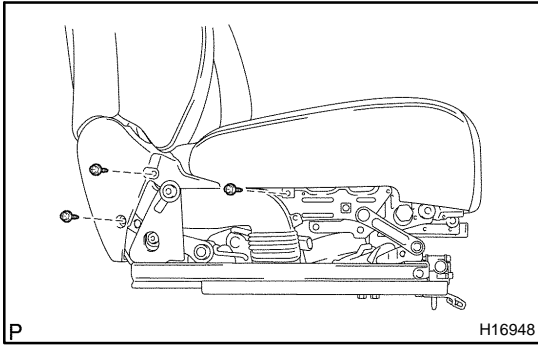


7. REMOVE FRONT SEAT HINGE COVER

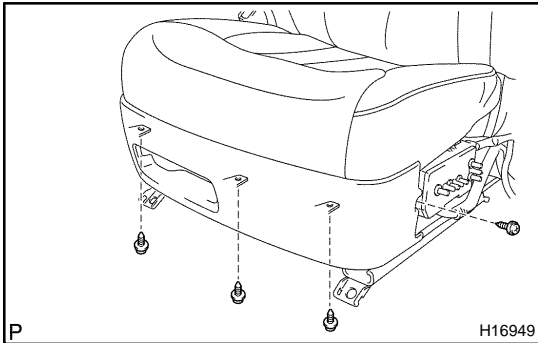
Remove the 2 screws and front seat hinge cover.

8. REMOVE FRONT SEAT INNER BELT

Remove the nut and front seat inner belt.

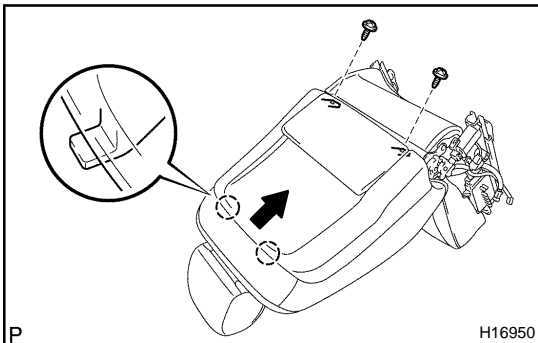
**9. REMOVE FRONT SEAT CUSHION INNER SHIELD**

Remove the 3 screws and front seat cushion inner shield.

**10. REMOVE FRONT SEAT CUSHION FRONT SHIELD**

(a) Remove the 4 screws.

(b) Slide the front seat cushion front shield toward to remove it.

11. REMOVE POWER SEAT SWITCH**12. REMOVE FRONT SEATBACK BOARD**

(a) Remove the 2 screws.

(b) Remove the front seatback board as shown in the illustration.

13. REMOVE SEATBACK ASSEMBLY

(a) Climate control seat:

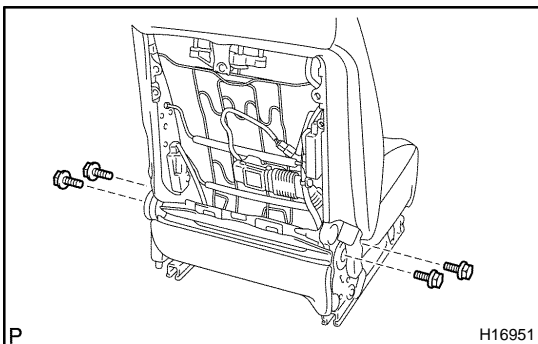
Remove the 3 screws and disconnect the air duct.

(b) Disconnect the connectors and disengage the clamps.

(c) Remove the 4 bolts and seatback assembly.

14. REMOVE HEADREST

Remove the headrest from the seatback assembly.

15. REMOVE HEADREST SUPPORTS**16. REMOVE SEATBACK FRAME**

(a) Remove the bolt and seat cover hook.

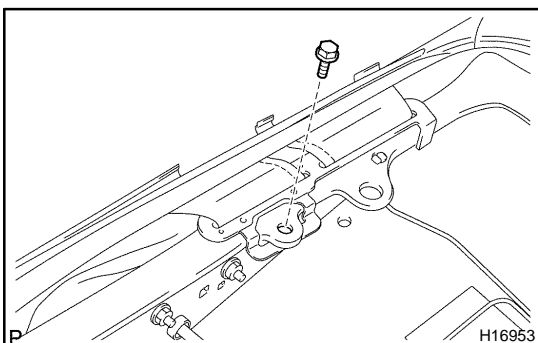
(b) Remove the seatback frame from the seatback cover with pad.

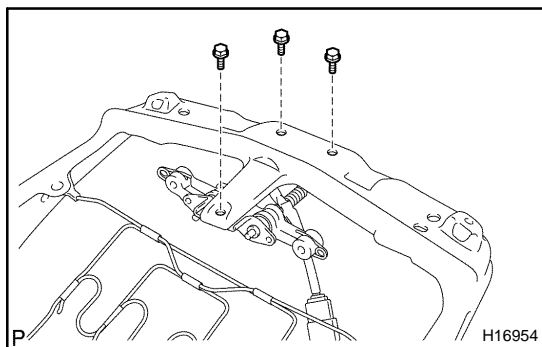
NOTICE:

Do not damage the side airbag assembly.

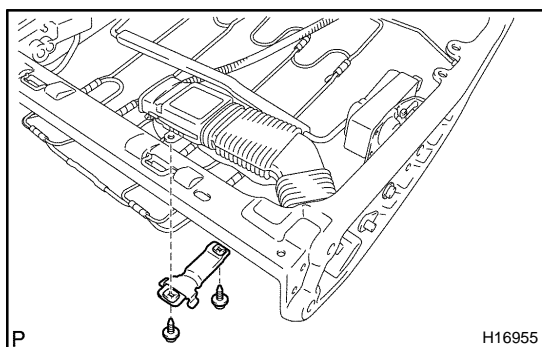
17. REMOVE SEATBACK COVER

Remove the hog rings and seatback cover from the seatback pad.

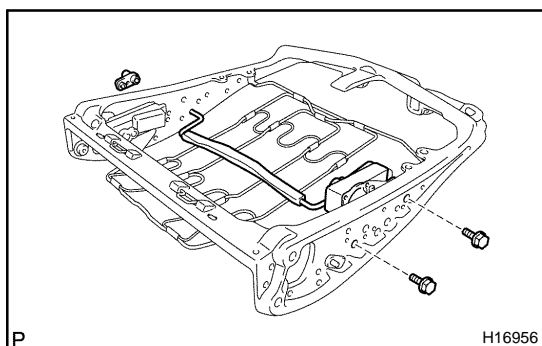


**18. REMOVE HEADREST ADJUSTER**

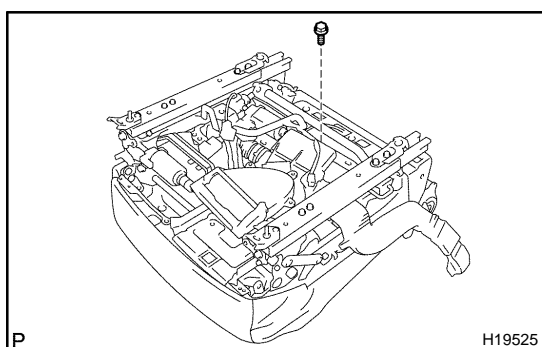
- (a) Disengage the connector clamps.
- (b) Remove the 3 bolts and headrest adjuster from the seat-back frame.

**19. Climate control seat:
REMOVE AIR DUCT**

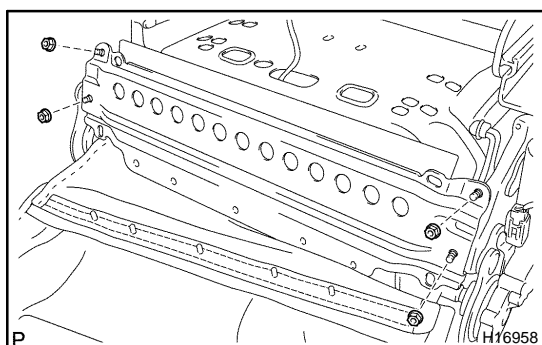
Remove the 2 screws, bracket and air duct from the seatback frame.

**20. REMOVE LUMBER SUPPORT ADJUSTER**

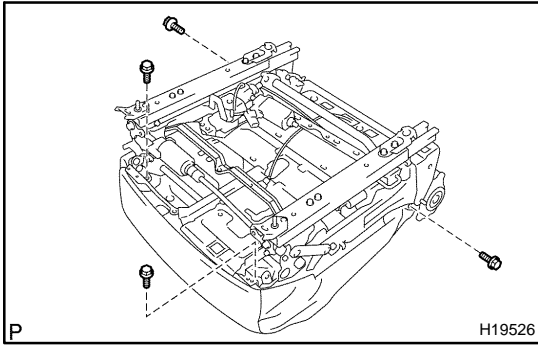
- (a) Remove the 2 bolts, lumbar support adjuster and spacer.
- (b) Employ the same manner described above to the other side.

**21. Climate control seat:
REMOVE AIR RESERVOIR ASSEMBLY**

- (a) Disengage the seat cushion cover hook.
- (b) Disconnect the connectors and disengage the connector clamps.
- (c) Remove the bolt and air reservoir duct.

**22. REMOVE LOWER SEAT CUSHION SHIELD**

Remove the 4 nuts and lower seat cushion shield.

**23. REMOVE SEAT CUSHION ASSEMBLY**

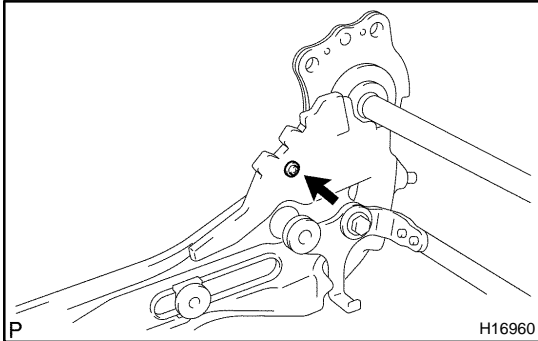
Remove the 4 bolts and seat cushion assembly.

24. REMOVE SEAT CUSHION FRAME

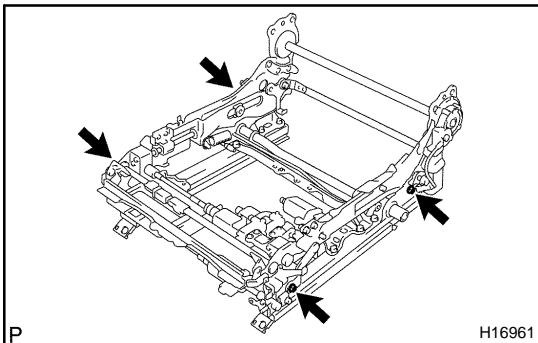
Disengage the seat cushion cover hook, then remove the seat cushion frame from the seat cushion cover with pad.

25. REMOVE SEAT CUSHION COVER

Remove the hog rings and seat cushion cover from the seat cushion pad.

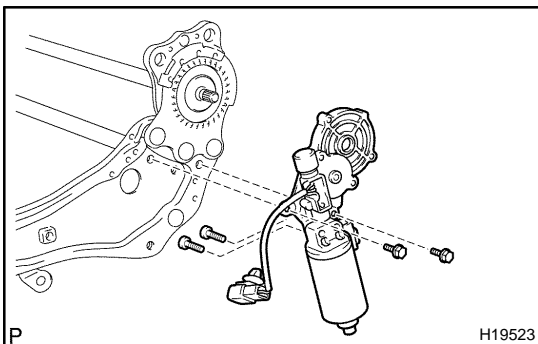
**26. REMOVE RECLINING ADJUSTER INSIDE COVER**

- (a) Remove the screw and reclining adjuster inside cover.
- (b) Employ the same manner described above to the other side.

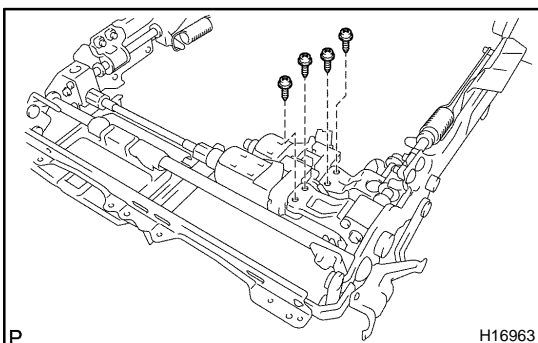
**27. REMOVE POWER RECLINING ADJUSTER ASSEMBLY**

Using a torx socket wrench, remove the 4 torx screws and power reclining adjuster assembly.

Torx socket wrench: T40 (Part No. 09042-00020 or locally manufactured tool)

**28. REMOVE RECLINING MOTOR**

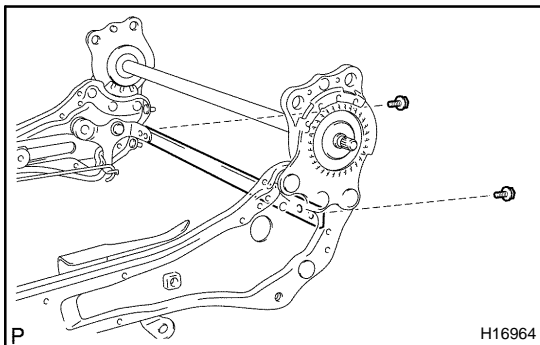
- (a) Remove the 2 bolts and reclining motor assembly.
- (b) Remove the 2 screws and reclining motor from the bracket.

**29. REMOVE TILT MOTOR**

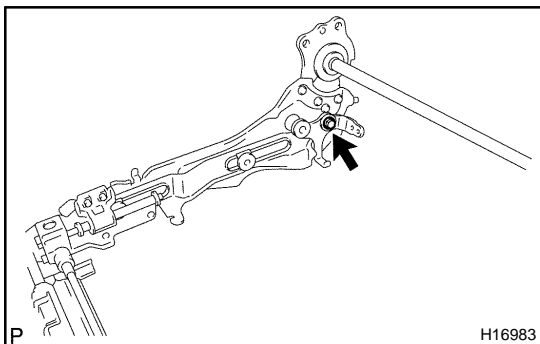
Remove the 2 screws and tilt motor.

30. REMOVE LIFTER MOTOR

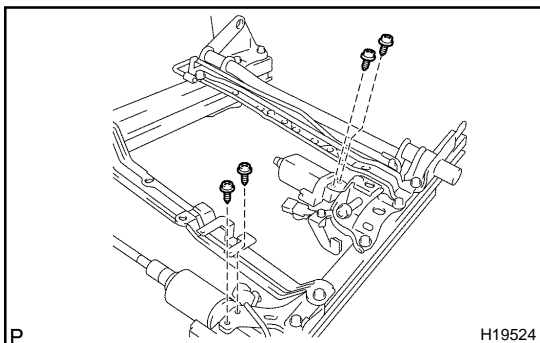
Remove the 2 screws and lifter motor.



- 31. REMOVE NO. 1 SEAT CUSHION PLATE**
Remove the 2 bolts and No. 1 seat cushion plate.
- 32. REMOVE SEAT CUSHION SPRING**



- 33. REMOVE FRONT SEAT TRAVEL NO. 1 LINK**
- (a) Remove the bolt and front seat travel No. 1 link.
- (b) Employ the same manner described above to the other side.



- 34. REMOVE SLIDE MOTOR**
Remove the 2 screws and slide motor.
- 35. REMOVE SEAT CUSHION SLIDE MOTOR**
Remove the 2 screws and seat cushion slide motor.