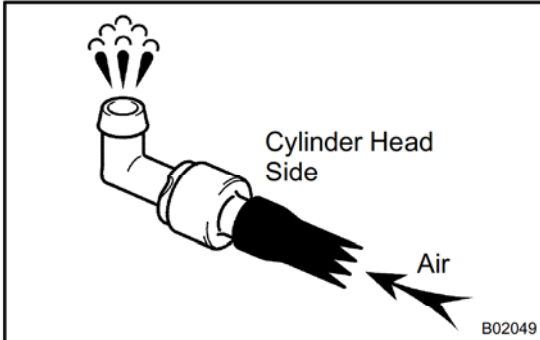


INSPECTION

1. REMOVE V-BANK COVER

2. INSPECT PCV VALVE

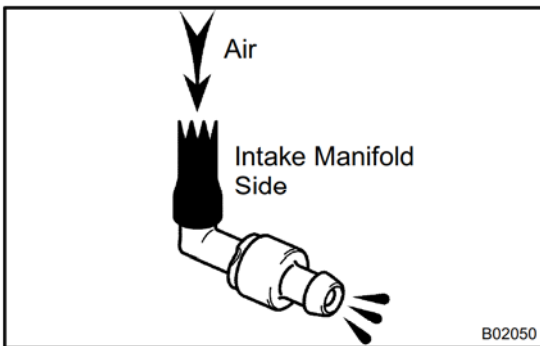
- (a) Remove the PCV valve.
 - (1) Disconnect the PCV hose from the PCV valve.
 - (2) Remove the PCV valve cover and valve.



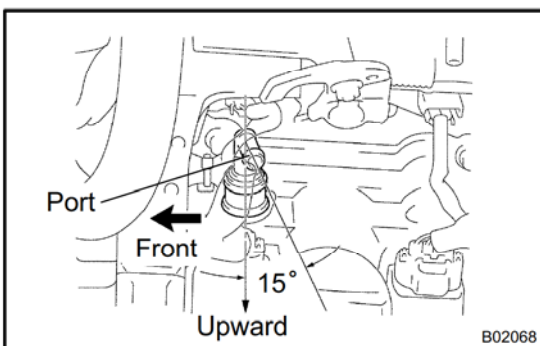
- (b) Install a clean hose to the PCV valve.
- (c) Inspect the PCV valve operation.
 - (1) Blow air into the cylinder head side, and check that air passes through easily.

CAUTION:

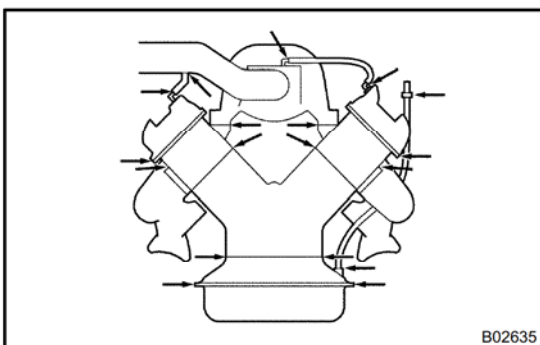
Do not suck air through the valve. Petroleum substances inside the valve are harmful.



- (2) Blow air into the intake manifold side, and check that air passes through with difficulty.
- If operation is not as specified, replace the PCV valve.
- (d) Remove the clean hose from the PCV valve.



- (e) Reinstall the PCV valve.
 - (1) Install the PCV with the port faces in the direction indicated in the illustration.
 - (2) Install the PCV valve cover to the PCV valve.
 - (3) Connect the PCV hose to the PCV hose.



3. INSPECT HOSES, CONNECTIONS AND GASKETS

Visually check for cracks, leaks or damage.

4. REINSTALL V-BANK COVER