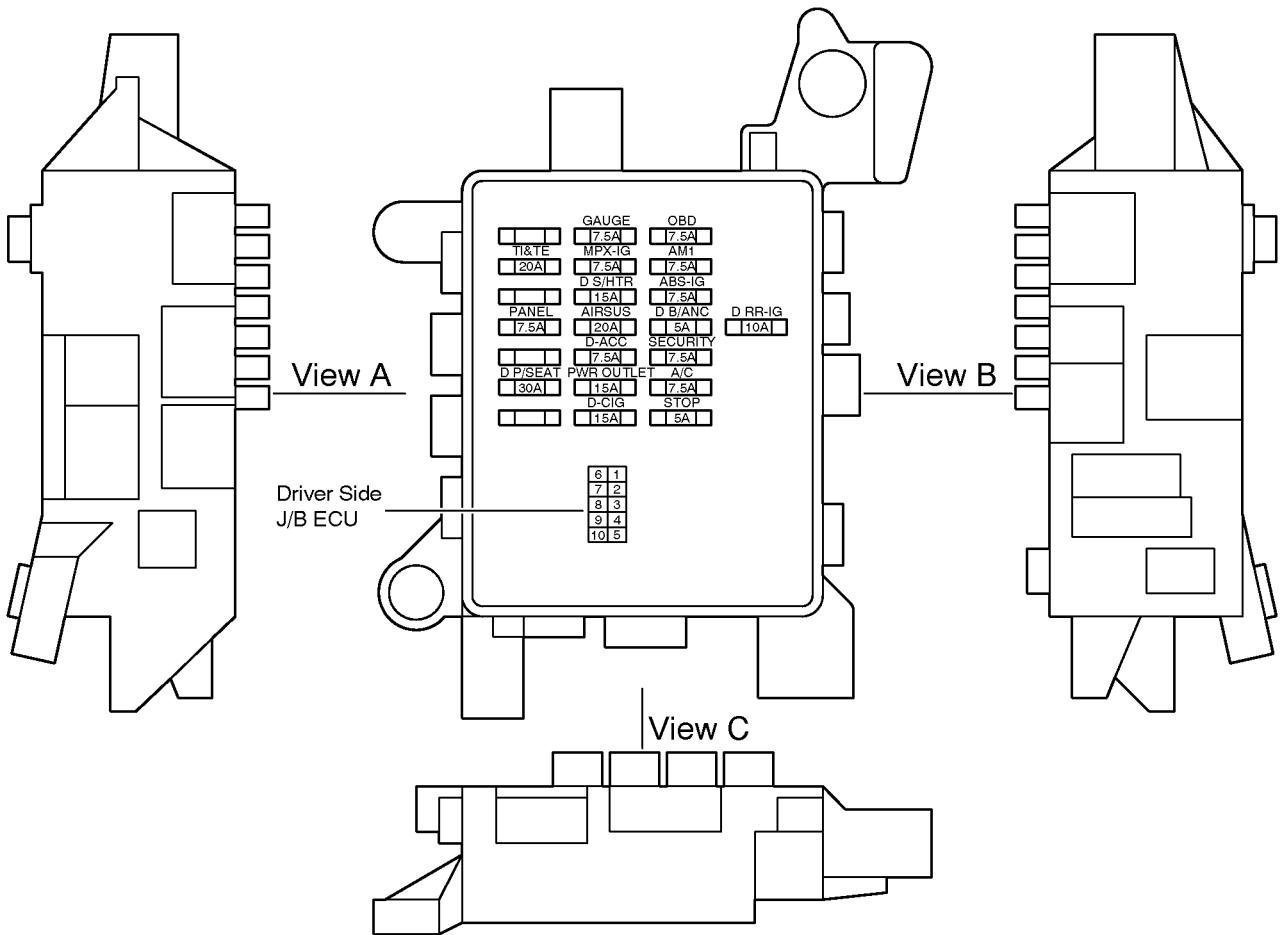
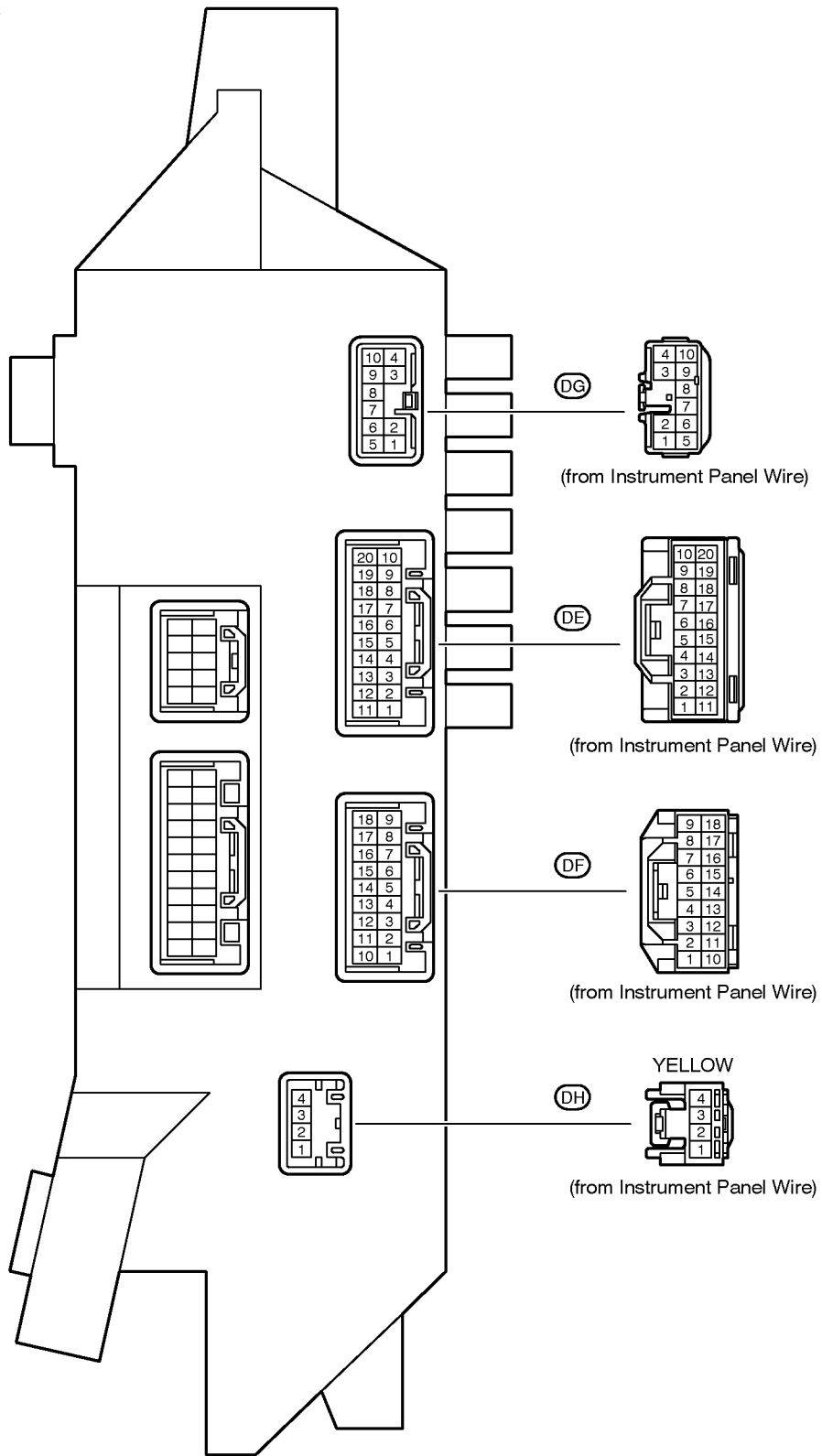


F RELAY LOCATIONS

○ : Driver Side J/B **Left Kick Panel (See Page 21)**
(Inner Circuit : See Page 32)

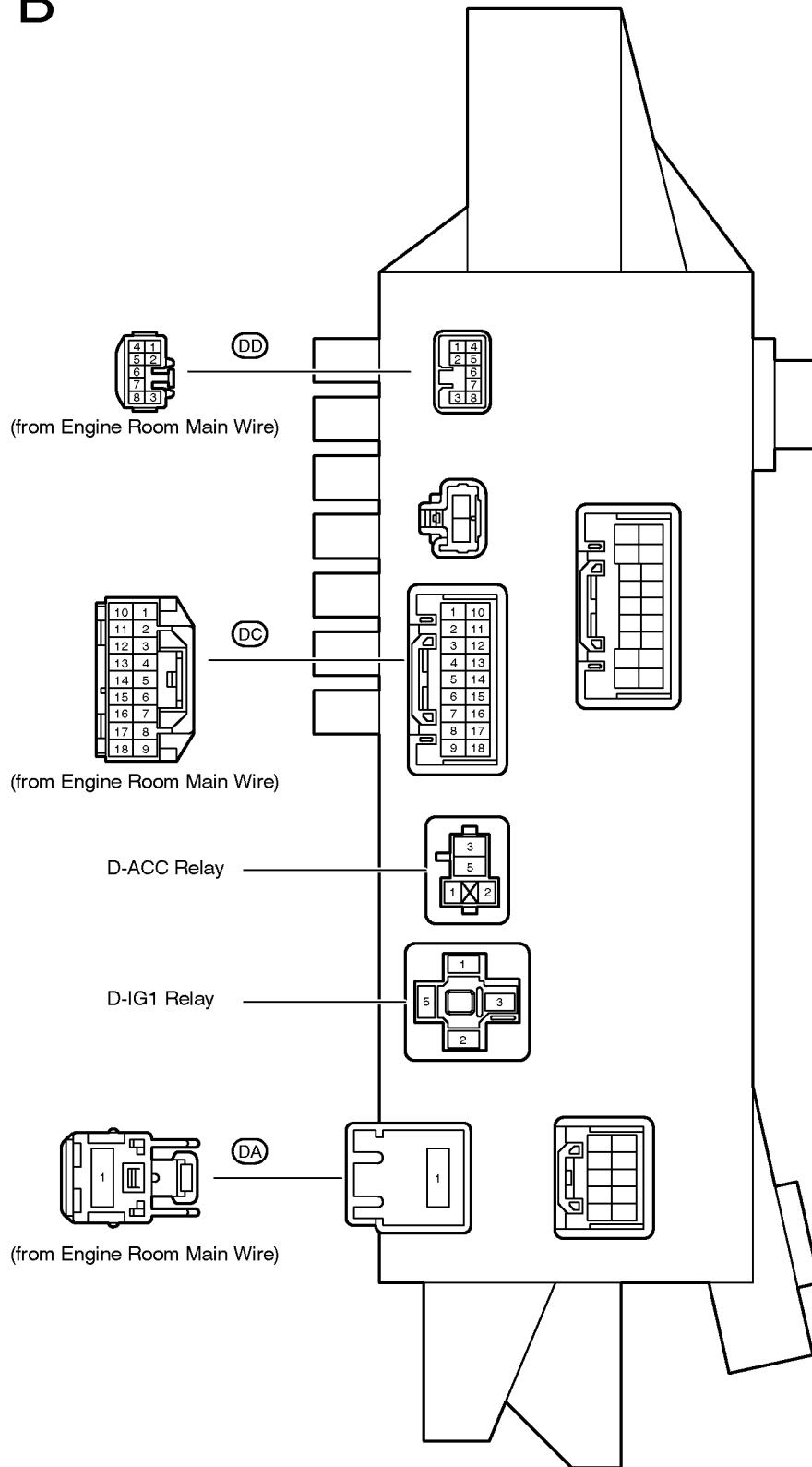


View A

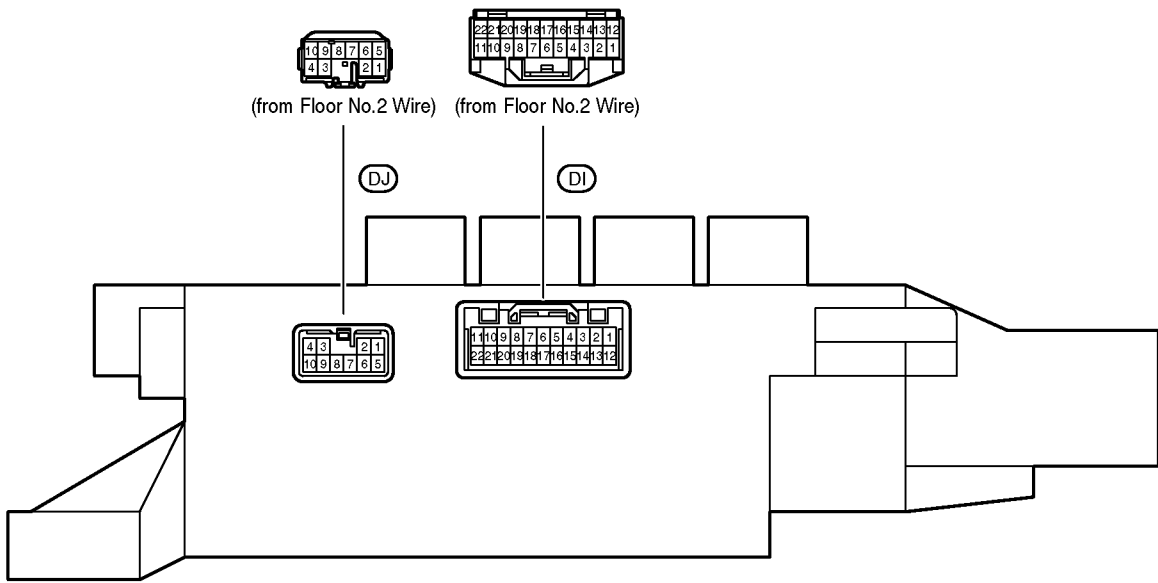


F RELAY LOCATIONS

View B

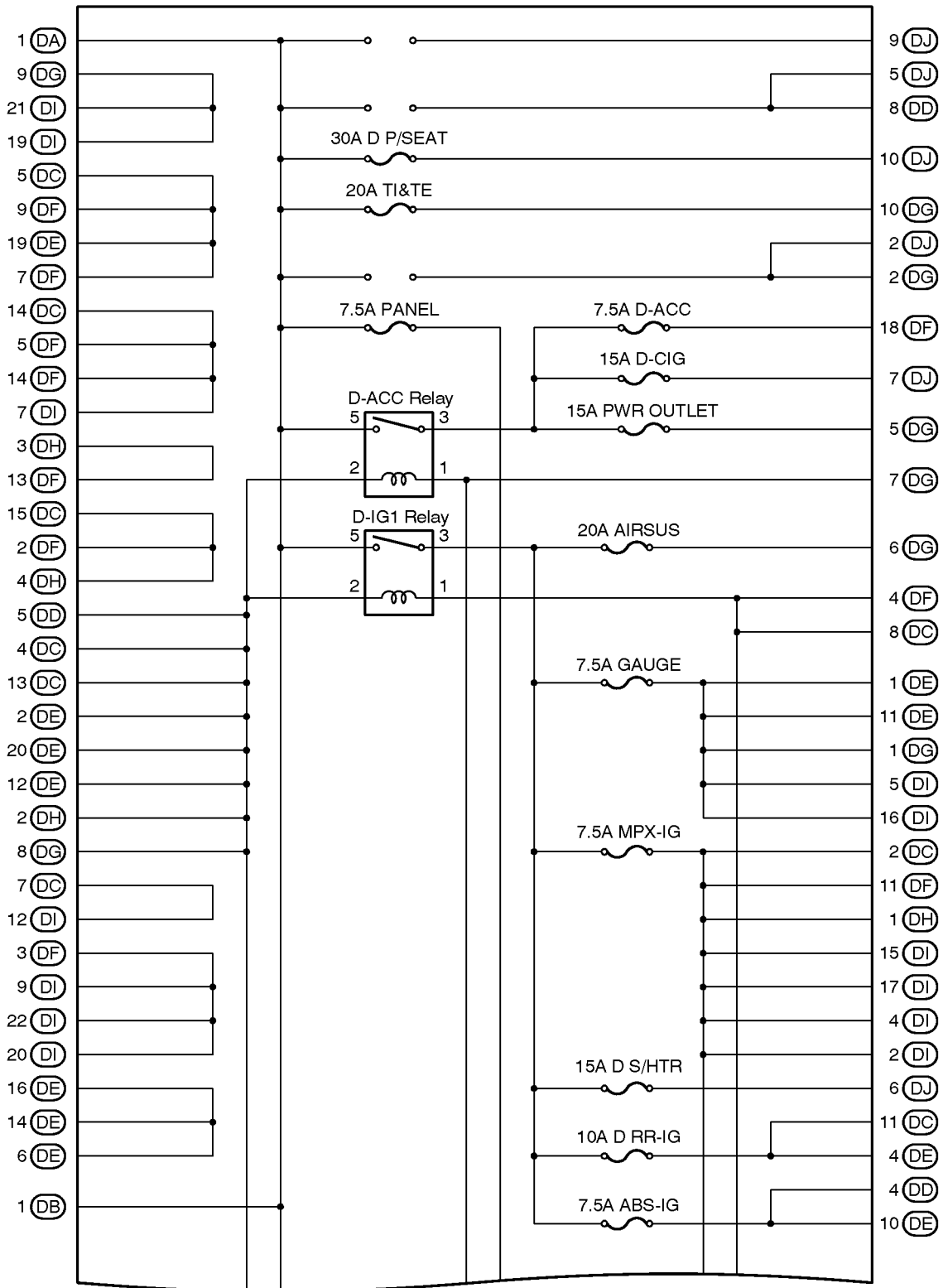


View C



F RELAY LOCATIONS

[Driver Side J/B Inner Circuit]



(Cont. Next Page)

(Cont'd)

