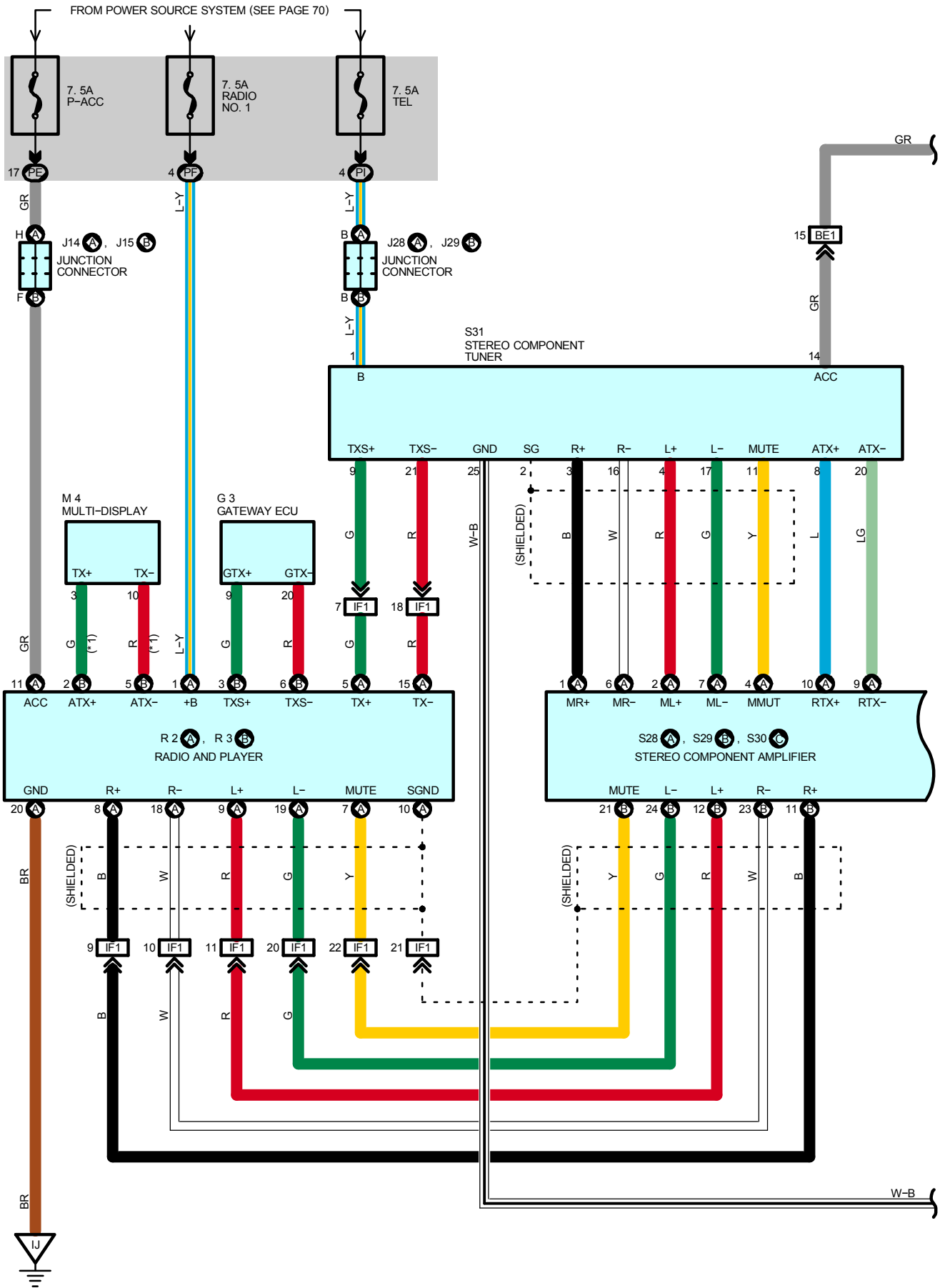
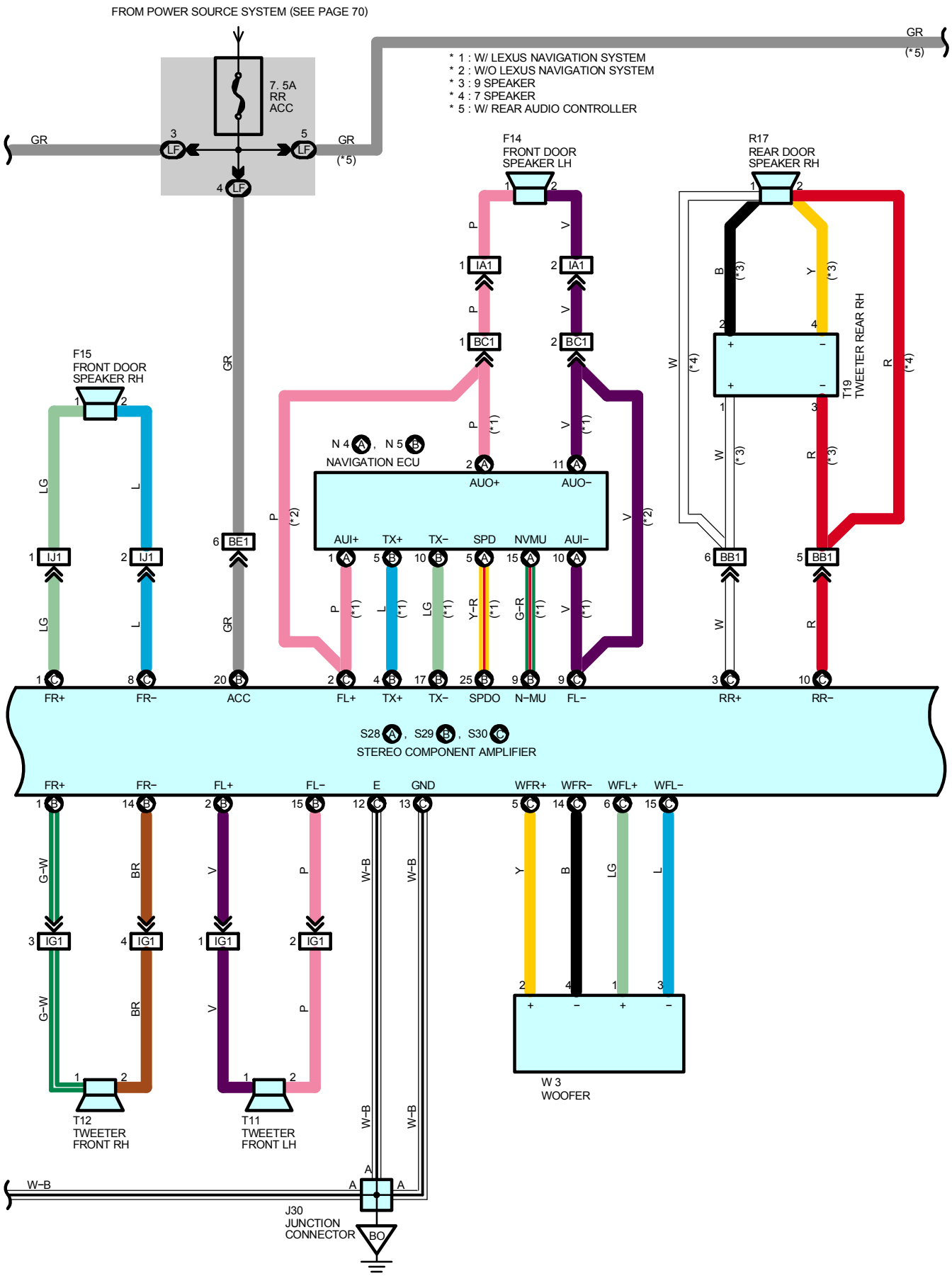


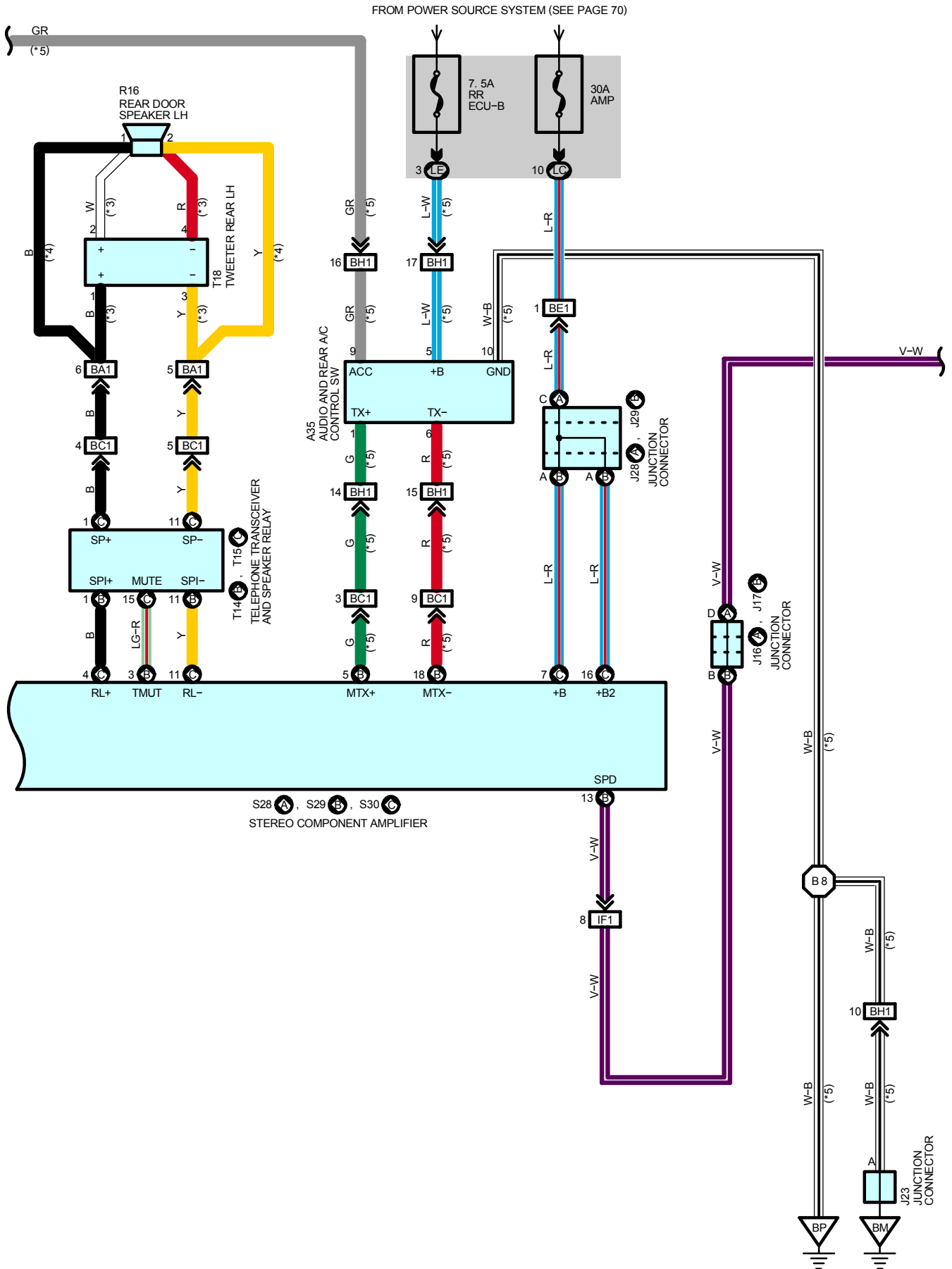
S28 **A** , S29 **B** , S30 **C**  
 STEREO COMPONENT AMPLIFIER

# RADIO AND PLAYER

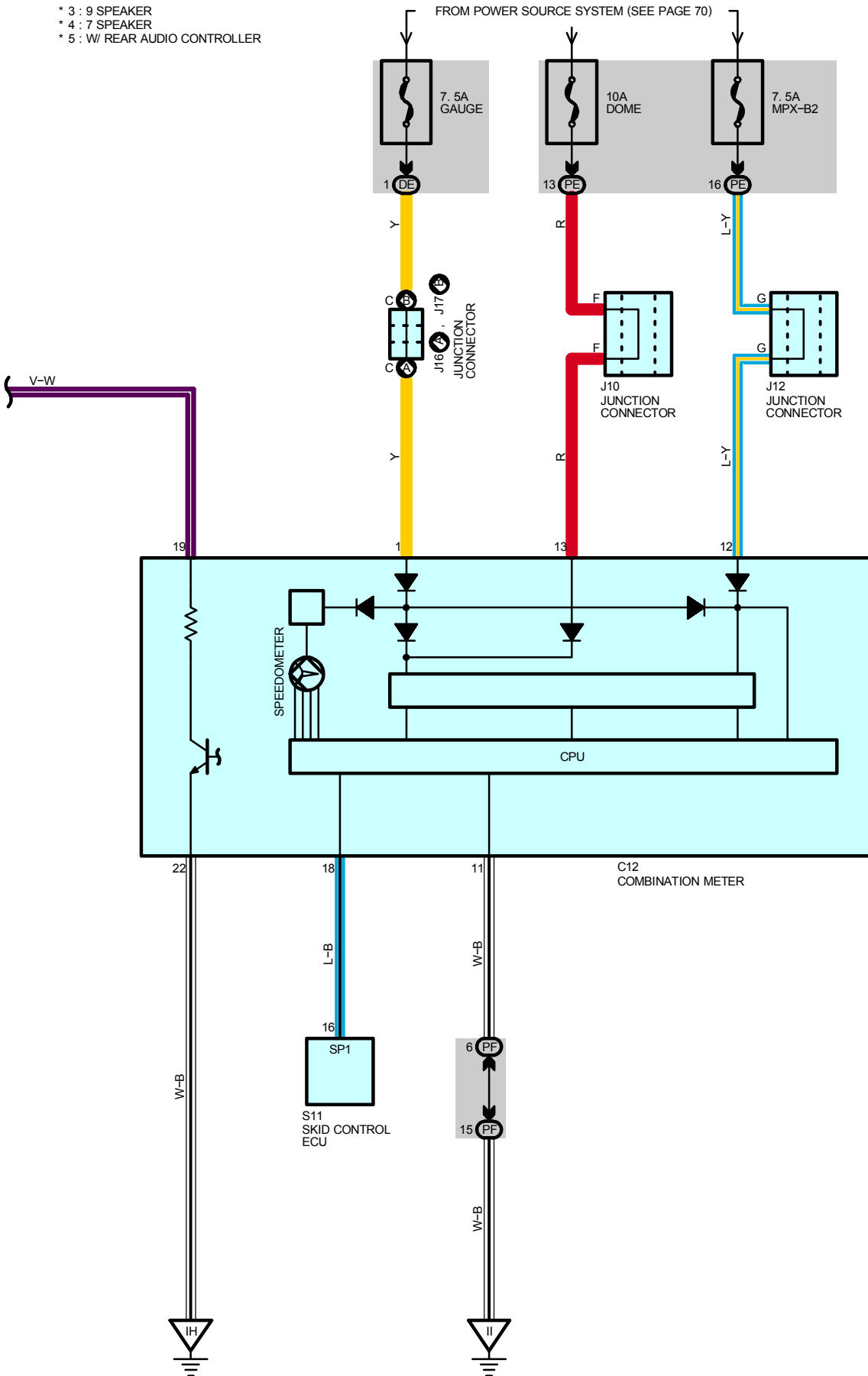




# RADIO AND PLAYER



- \* 3 : 9 SPEAKER
- \* 4 : 7 SPEAKER
- \* 5 : W/ REAR AUDIO CONTROLLER



# RADIO AND PLAYER

## SERVICE HINTS

### R2 (A) RADIO AND PLAYER

- (A)11-GROUND : Approx. **12** volts with ignition SW at **ON** or **ACC** position
- (A) 1-GROUND : Always approx. **12** volts
- (A)20-GROUND : Always continuity

### S29 (B), S30 (C) STEREO COMPONENT AMPLIFIER

- (B) 20-GROUND : Approx. **12** volts with ignition SW at **ON** or **ACC** position
- (C) 7, (C) 16-GROUND : Always approx. **12** volts
- (C)12, (C) 13-GROUND : Always continuity

### S31 STEREO COMPONENT TUNER

- 1-GROUND : Always approx. **12** volts
- 14-GROUND : Approx. **12** volts with ignition SW at **ON** or **ACC** position
- 25-GROUND : Always continuity

## ○ : PARTS LOCATION

| Code | See Page | Code | See Page | Code | See Page |
|------|----------|------|----------|------|----------|
| A35  | 55       | J28  | A 51     | S29  | B 53     |
| C12  | 46       | J29  | B 51     | S30  | C 53     |
| F14  | 50       | J30  | 51       | S31  | 53       |
| F15  | 50       | M4   | 48       | T11  | 49       |
| G3   | 47       | N4   | A 52     | T12  | 49       |
| J10  | 47       | N5   | B 52     | T14  | B 53     |
| J12  | 47       | R2   | A 49     | T15  | C 53     |
| J14  | A 47     | R3   | B 49     | T18  | 53       |
| J15  | B 47     | R16  | 52       | T19  | 53       |
| J16  | A 47     | R17  | 52       | W3   | 53       |
| J17  | B 47     | S11  | 49       |      |          |
| J23  | 51       | S28  | A 53     |      |          |

## ○ : JUNCTION BLOCK AND WIRE HARNESS CONNECTOR

| Code | See Page | Junction Block and Wire Harness (Connector Location)            |
|------|----------|---|
| DE   | 29       | Instrument Panel Wire and Driver Side J/B (Left Kick Panel)     |
| LC   | 40       | Floor No.2 Wire and Luggage Room J/B (Luggage Room Left)        |
| LE   |          |   |
| LF   |          |   |
| PE   | 36       | Instrument Panel Wire and Passenger Side J/B (Right Kick Panel) |
| PF   |          |   |
| PI   | 37       | Floor Wire and Passenger Side J/B (Right Kick Panel)            |

## □ : CONNECTOR JOINING WIRE HARNESS AND WIRE HARNESS

| Code | See Page | Joining Wire Harness and Wire Harness (Connector Location)                 |
|------|----------|--|
| IA1  | 58       | Front Door LH Wire and Floor No.2 Wire (Left Kick Panel)                   |
| IF1  | 60       | Instrument Panel Wire and Floor Wire (Right Side of Shift Lever)           |
| IG1  | 60       | Instrument Panel Wire and Floor Wire (Cowl Side Panel RH)                  |
| IJ1  | 60       | Front Door RH Wire and Floor Wire (Right Kick Panel)                       |
| BA1  | 62       | Rear Door No.2 Wire and Floor No.2 Wire (Left Center Pillar)               |
| BB1  | 62       | Rear Door No.1 Wire and Floor Wire (Right Center Pillar)                   |
| BC1  | 62       | Floor No.2 Wire and Floor Wire (Rear Floor Partition Panel LH)             |
| BE1  | 62       | Floor No.2 Wire and Floor Wire (Lower Back Panel RH)                       |
| BH1  | 66       | Rear Seat LH Wire and Floor No.2 Wire (Under the Rear Passenger's LH Seat) |

**: GROUND POINTS**

| Code | See Page | Ground Points Location      |
|------|----------|-----------------------------|
| IH   | 58       | Right Side of Shift Lever   |
| II   |          |                             |
| IJ   | 58       | Instrument Panel Brace RH   |
| BM   | 62       | Quarter Panel LH            |
| BO   | 62       | Quarter Panel RH            |
| BP   | 66       | Rear Passenger LH Seat Back |

**: SPLICE POINTS**

| Code | See Page | Wire Harness with Splice Points | Code | See Page | Wire Harness with Splice Points |
|------|----------|---------------------------------|------|----------|---------------------------------|
| B8   | 66       | Rear Seat LH Wire               |      |          |                                 |

