

SHOCK ABSORBER ASSY FRONT LH

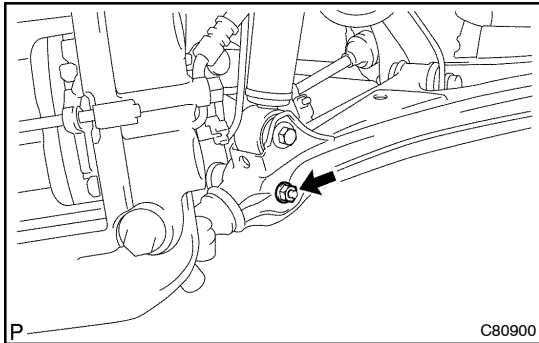
REPLACEMENT

280GZ-01

HINT:

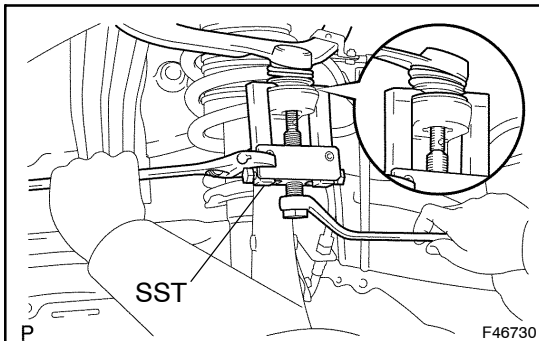
- Use the same procedures for the RH side and LH side.
- The procedures listed below are for the LH side.

1. REMOVE FRONT WHEELS



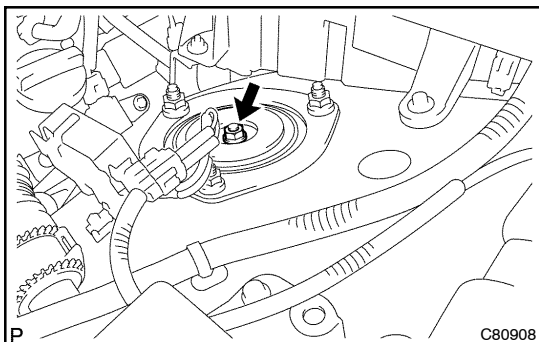
2. SEPARATE FRONT STABILIZER LINK ASSY LH

- Support the suspension lower arm with a jack using a wood block to avoid damage.
- Remove nut and washer and separate the stabilizer link assy LH.



3. SEPARATE STEERING KNUCKLE LH

- Remove the clip and castle nut.
- Using SST, separate the upper ball joint from the steering knuckle LH.
SST 09628-62011

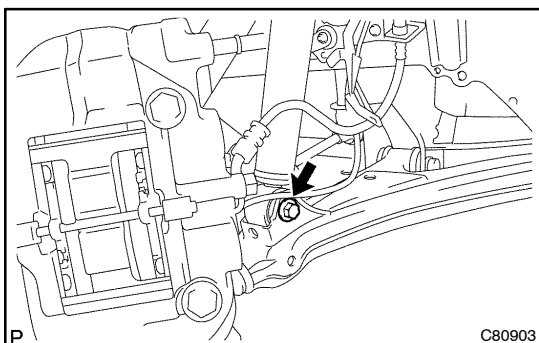


4. REMOVE FRONT SHOCK ABSORBER WITH COIL SPRING

- Loosen the lock nut.

NOTICE:

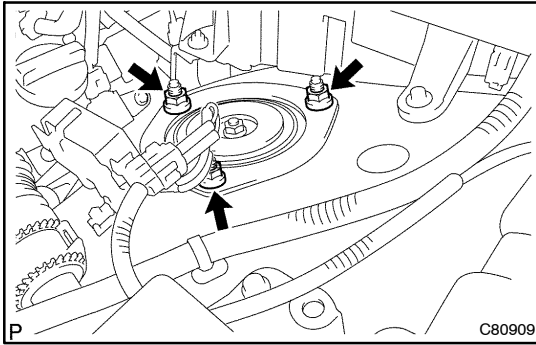
- Do not loosen the lock nut except when removing the shock absorber assy front LH with coil spring.
- Do not remove the lock nut.



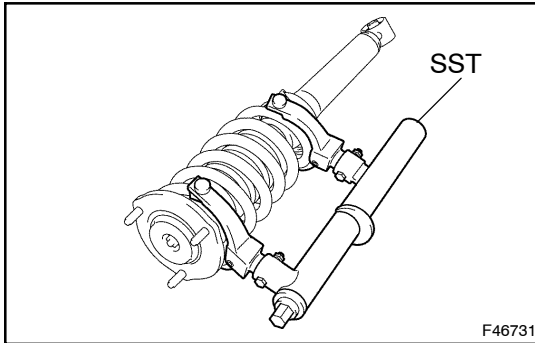
- Remove the front shock absorber with coil spring lower side nut.

NOTICE:

Do not remove the bolt.



- (c) Remove the 3 nuts on the upper side of the front shock absorber with coil spring.
- (d) Let it down slowly to remove the bolt and front shock absorber with coil spring.



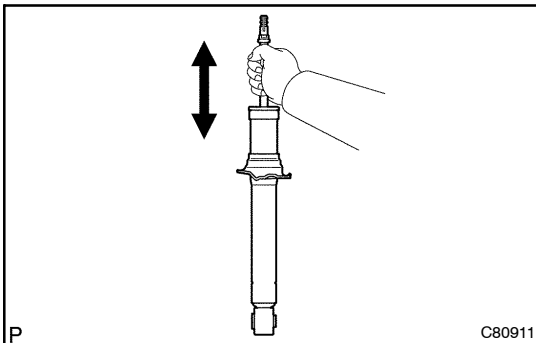
5. REMOVE SHOCK ABSORBER ASSY FRONT LH

- (a) Using SST, compress the front coil spring LH.
SST 09727-30021

NOTICE:

Do not use an impact wrench. It will damage the SST.

- (b) Remove the lock nut.
- (c) Remove the suspension support, front suspension support assy, front coil spring insulator upper LH and front coil spring LH.



6. INSPECT SHOCK ABSORBER ASSY FRONT LH

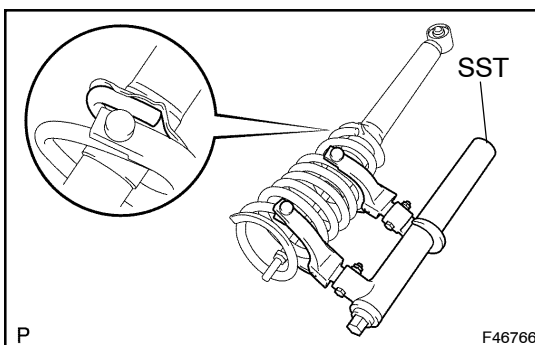
- (a) Compress and extend the shock absorber rod 4 times or more.

Then check that there is no abnormal resistance or sound and operation resistance is normal.

If there is any abnormality, replace the shock absorber assy front LH with a new one.

NOTICE:

When disposing of the shock absorber assy front LH, see DISPOSAL on page 26-22.



7. INSTALL SHOCK ABSORBER ASSY FRONT LH

- (a) Using SST, compress the front coil spring LH.
SST 09727-30021

NOTICE:

Do not use an impact wrench, it will damage the SST.

- (b) Install the front coil spring LH to the shock absorber assy front LH.

HINT:

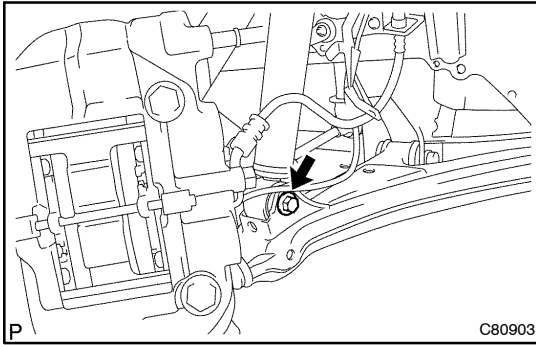
Fit the lower end of the front coil spring LH in the gap of the spring lower seat.

- (c) Install the front suspension support assy to the coil spring insulator upper LH.

HINT:

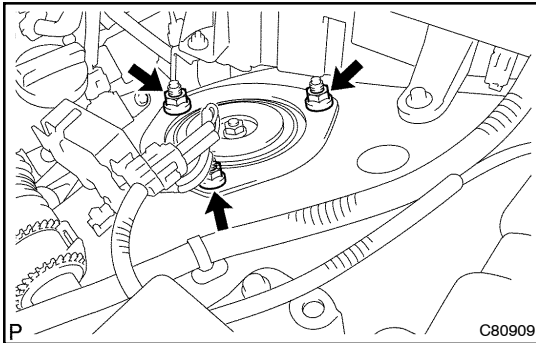
Match the bolt of the front suspension support assy with the cut-out part of the coil spring insulator upper LH.

- (d) Install the front suspension support assy to the shock absorber assy front LH.
- (e) Install the suspension support to the shock absorber assy front LH.
- (f) Temporarily tighten a new lock nut.

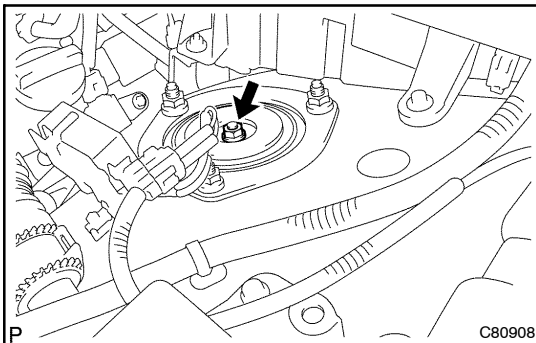


8. TEMPORARILY TIGHTEN FRONT SHOCK ABSORBER WITH COIL SPRING

- (a) Temporarily install the front shock absorber with coil spring with a bolt and a nut.
- (b) Jack up the suspension lower arm assy slowly using a wood block to avoid damage.



- (c) Install front shock absorber with coil spring with 3 nuts.
Torque: 58 N·m (590 kgf·cm, 43 ft·lbf)



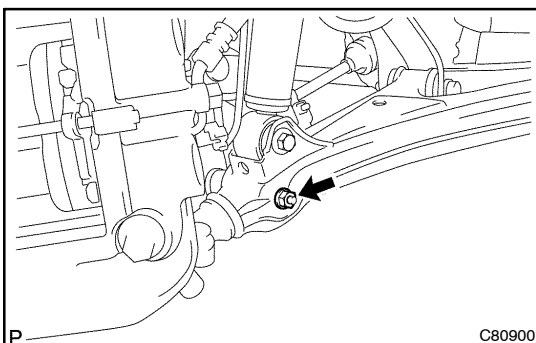
- (d) Fully tighten the lock nut.
Torque: 28 N·m (280 kgf·cm, 20 ft·lbf)

9. INSTALL STEERING KNUCKLE LH

- (a) Install the steering knuckle to the upper arm assy with the castle nut.
Torque: 87 N·m (885 kgf·cm, 64 ft·lbf)
- (b) Install a new clip on the steering knuckle.

NOTICE:

If the holes for the clip are not aligned, tighten the nut up to 60° further.

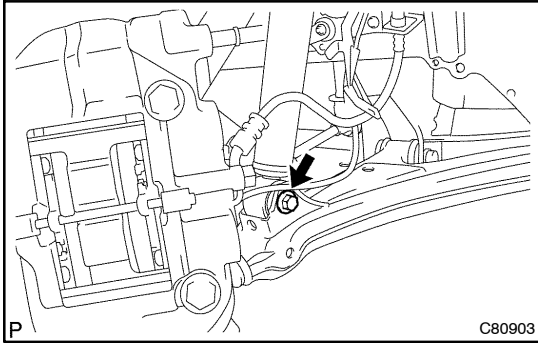


10. INSTALL FRONT STABILIZER LINK ASSY LH

- (a) Install the front stabilizer link assy LH and washer to the lower suspension arm assy with the nut.
Torque: 55 N·m (560 kgf·cm, 41 ft·lbf)

11. STABILIZE SUSPENSION

- (a) Install the front wheels.
Torque: 103 N·m (1,050 kgf·cm, 76 ft·lbf)
- (b) Jack down the vehicle slowly until all the tires are on the ground.
- (c) Bounce the vehicle up and down several times to stabilize the suspension.
- (d) Remove the front wheels.
- (e) Jack up the suspension lower arm using a wood block to avoid damage.

**12. FULLY TIGHTEN FRONT SHOCK ABSORBER WITH COIL SPRING**

- (a) Fully tighten the front shock absorber with coil spring lower side bolt.
Torque: 157 N·m (1,600 kgf·cm, 116 ft·lbf)

13. INSTALL FRONT WHEELS

Torque: 103 N·m (1,050 kgf·cm, 76 ft·lbf)

14. ADJUST FRONT WHEEL ALIGNMENT (SEE PAGE [26-8](#))