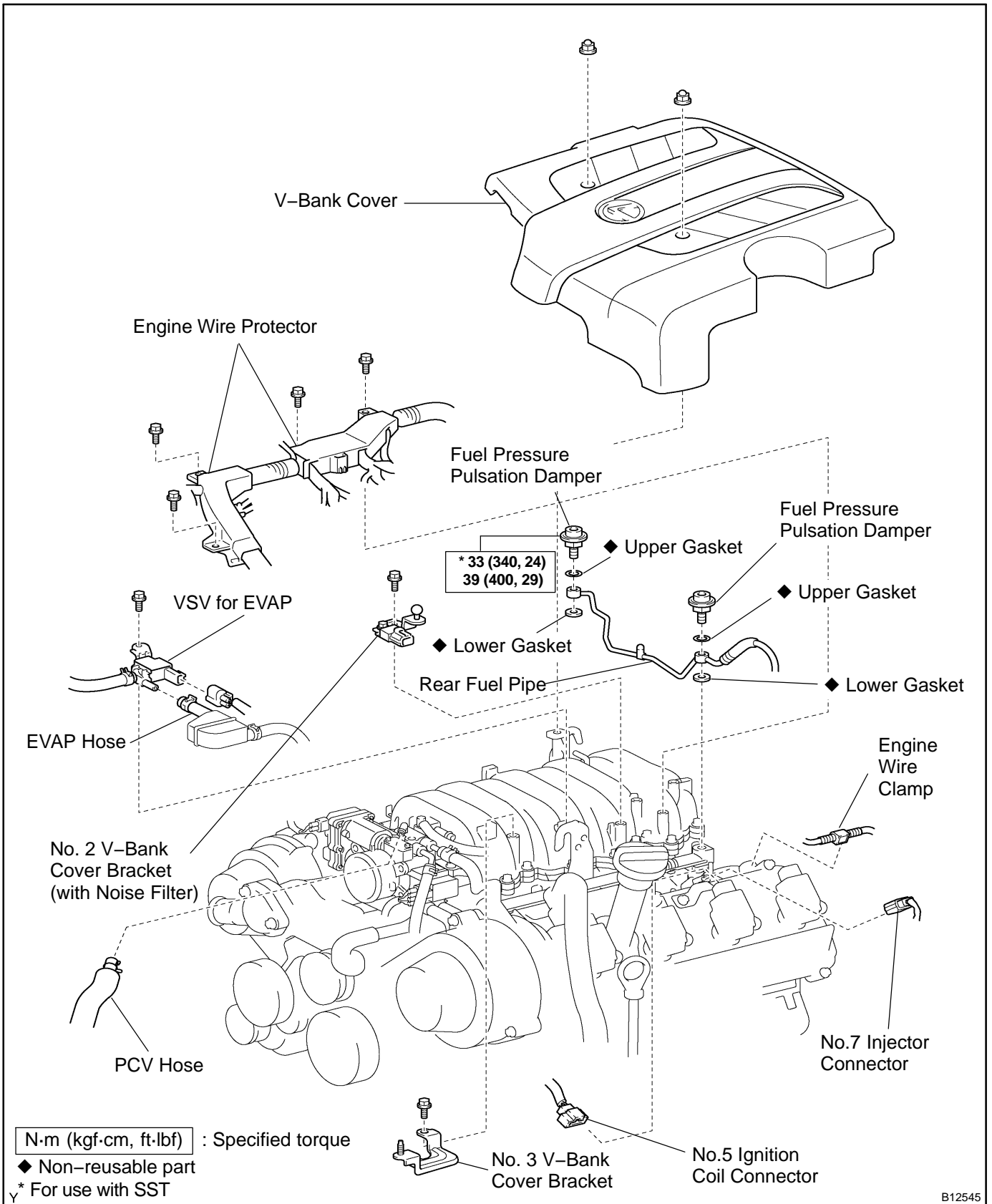


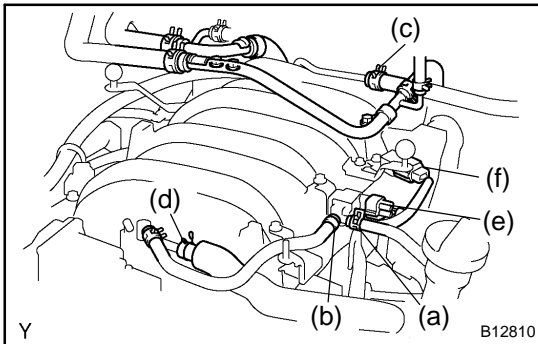
# FUEL PRESSURE PULSATION DAMPER COMPONENTS

F10Y0-01



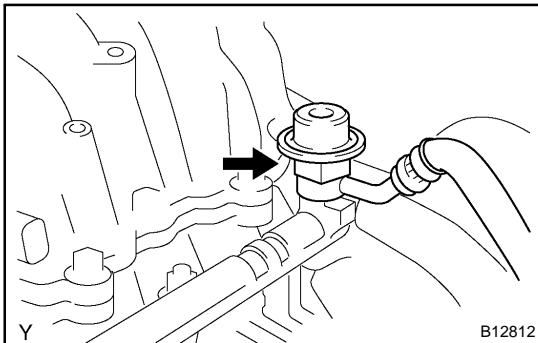
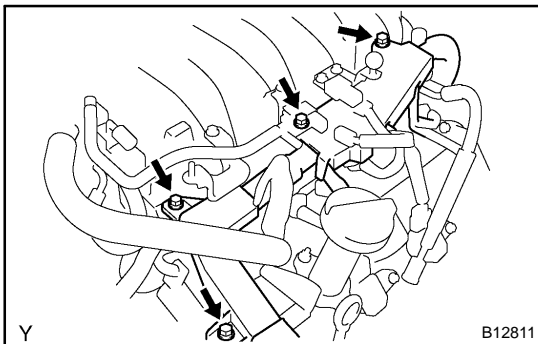
## REMOVAL

### 1. REMOVE V-BANK COVER



### 2. DISCONNECT ENGINE WIRE AND WATER PIPE FROM INTAKE MANIFOLD

- (a) Disconnect the EVAP hose (from the charcoal canister).
- (b) Disconnect the EVAP hose.
- (c) Disconnect the brake booster vacuum hose.
- (d) Disconnect the PCV hose.
- (e) Disconnect the VSV connector for EVAP.
- (f) Disconnect the noise filter connector.
- (g) Remove the 3 bolts and disconnect the 2 heater pipes.
- (h) Remove the 4 bolts, and disconnect the engine wire protector and wire clamp bracket from the intake manifold.

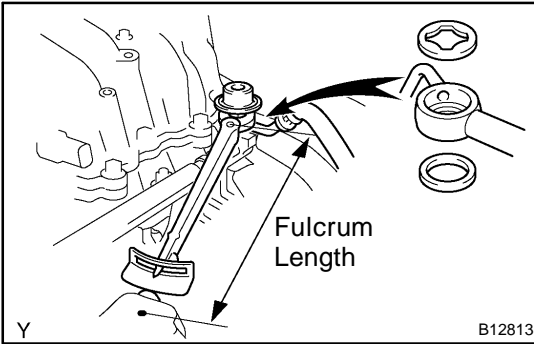


### 3. REMOVE FUEL PRESSURE PULSATION DAMPERS

- (a) Remove pulsation damper and upper gasket. Remove the 2 pulsation dampers and 2 upper gaskets.
- (b) Disconnect the rear fuel pipe from the RH and LH delivery pipes, and remove the 2 lower gaskets.

#### CAUTION:

- Put a shop towel under the delivery pipe.
- Slowly loosen the pulsation damper.



## INSTALLATION

- 1. INSTALL FUEL PRESSURE PULSATION DAMPERS**  
Using SST, install 2 new gaskets, the rear fuel pipe and pulsation damper. Install the 2 pulsation dampers.

SST 09612-24014 (09617-24011)

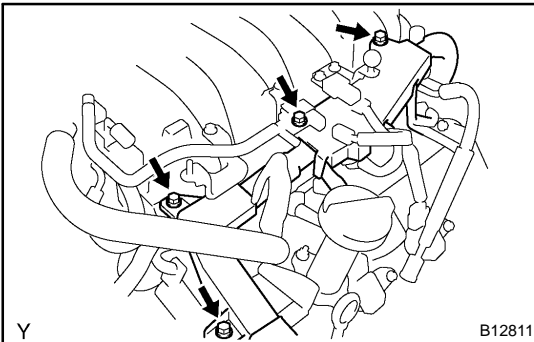
**Torque:**

**39 N·m (400 kgf-cm, 29 ft-lbf)**

**33 N·m (340 kgf-cm, 24 ft-lbf) for SST**

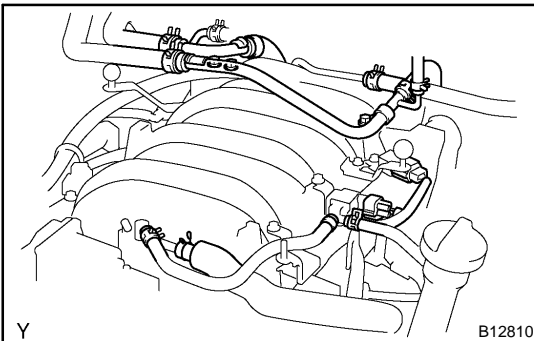
**HINT:**

Use a torque wrench with a fulcrum length of 30 cm (11.81 in.).



**2. CONNECT ENGINE WIRE**

- (a) Connect the engine wire with cover and wire clamp bracket with 3 bolts to intake manifold.
- (b) Install the 2 heater pipes with the 3 bolts.



- (c) Connect the EVAP hose (from the charcoal canister).
- (d) Connect the EVAP hose.
- (e) Connect the brake booster vacuum hose.
- (f) Connect the PCV hose.
- (g) Connect the VSV connector for EVAP.
- (h) Connect the noise filter connector.

**3. CHECK FOR FUEL LEAKS (See page SF-1)**

**4. INSTALL V-BANK COVER**