

INSTRUMENT PANEL SAFETY PAD SUB-ASSY REPLACEMENT

710L1-01

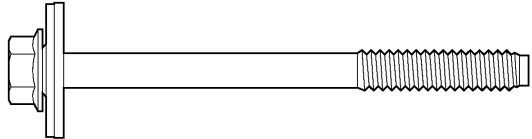
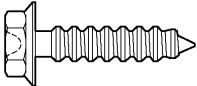
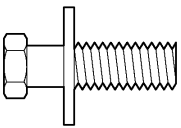
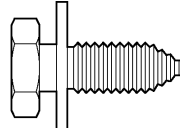
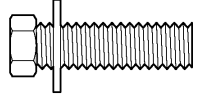
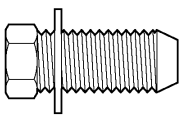
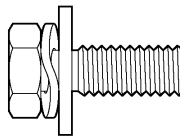
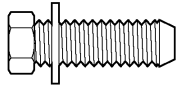
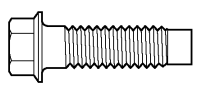
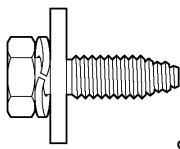
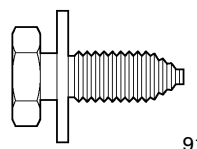
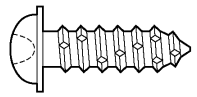
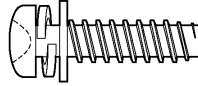
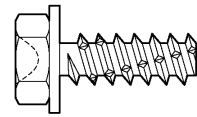
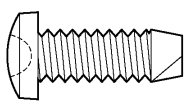
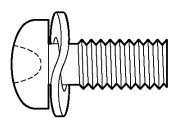
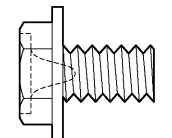
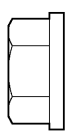
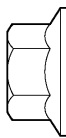
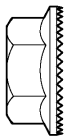

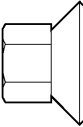
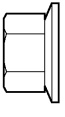
HINT:

- COMPONENTS: SEE PAGE [71-1](#)
- Installation is in the reverse order of removal.
- A bolt without a torque specification is shown in the standard bolt chart (see page [03-2](#)).

1. TABLE OF BOLT, SCREW AND NUT

HINT:

The bolts, screws and nuts, necessary for installation and removal of the instrument panel, are shown in the illustration below with alphabet code.

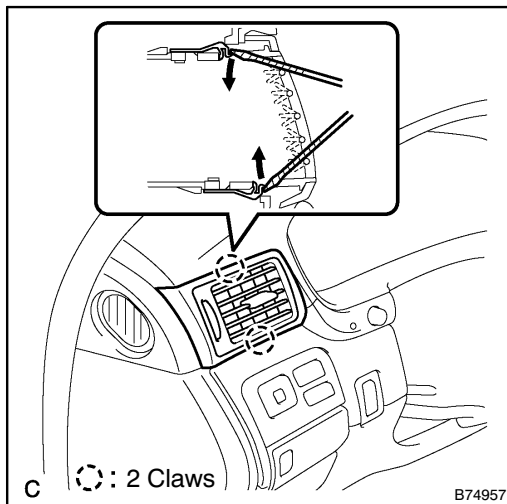
Code	Shape		Code	Shape			
<A>	 D = 8 L = 100 90119 - 08C10			 D = 6 L = 25 91515 - G0625			
<C>	 D = 8 L = 20 91626 - 60820	<D>	 D = 8 L = 20 90119 - 08B96	<E>	 D = 6 L = 20 91631 - G0620		
<F>	 D = 8 L = 18 91626 - 60818	<G>	 D = 6 L = 18 91651 - 60618	<H>	 D = 6 L = 18 91626 - 40618		
<I>	 D = 6 L = 18 91553 - 80614	<J>	 D = 6 L = 17 90119 - 06549	<K>	 D = 6 L = 16 91635 - 60616		
<L>	 D = 5 L = 16 93567 - 55016	<M>	 L = 16 90159 - 40277	<N>	 D = 5 L = 15 90159 - 50327		
<O>	 L = 15 90164 - 50034	<P>	 D = 5 L = 12 93319 - 15012	<Q>	 D = 5 L = 8 90153 - 50010		
<R>	 D = 12 90179 - 12071	<S>	 D = 10 94150 - 81000	<T>	 D = 6 90179 - 06159	<U>	 D = 6 90179 - 06307
<V>	 D = 6 90119 - 08C10	<W>	 D = 6 90179 - 06125				

2. SHIP MODE SETTING (W/ CD CHANGER) (SEE PAGE 67-5)
3. SHIP MODE CONFIRMATION (W/ CD CHANGER) (SEE PAGE 67-5)
4. DISCONNECT BATTERY NEGATIVE TERMINAL (SEE PAGE 60-1)

HINT:

- Disconnect the battery negative terminal with the steering column assy extended.
- Be sure to extend the steering column, otherwise the steering column cover cannot be removed.

5. PLACE FRONT WHEELS FACING STRAIGHT AHEAD
6. REMOVE SWITCH & VOLUME CASE (SEE PAGE 50-10)
7. REMOVE STEERING WHEEL COVER LOWER NO.2 (SEE PAGE 50-10)
8. REMOVE HORN BUTTON ASSY (SEE PAGE 50-10)
9. REMOVE STEERING WHEEL ASSY (SEE PAGE 50-10)
SST 09950-50013 (09951-05010, 09952-05010, 09953-05020, 09954-05021)
10. REMOVE STEERING COLUMN COVER (SEE PAGE 50-10)
11. REMOVE SPIRAL CABLE SUB-ASSY (SEE PAGE 60-29)
12. REMOVE TURN SIGNAL SWITCH ASSY (SEE PAGE 65-23)

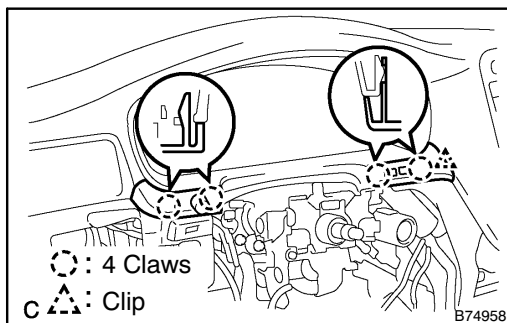


13. REMOVE INSTRUMENT PANEL SAFETY PAD GARNISH SUB-ASSY

- (a) Using a screwdriver, disengage the upper/lower 2 claws inside the instrument panel safety pad garnish sub-assy.

HINT:

Tape up the screwdriver tip before use.



14. REMOVE INSTRUMENT CLUSTER FINISH PANEL CENTER LOWER

- (a) Using a screwdriver, disengage the 2 claws and remove the instrument cluster finish panel center lower.

HINT:

Tape up the screwdriver tip before use.

- (b) Disconnect the connector.

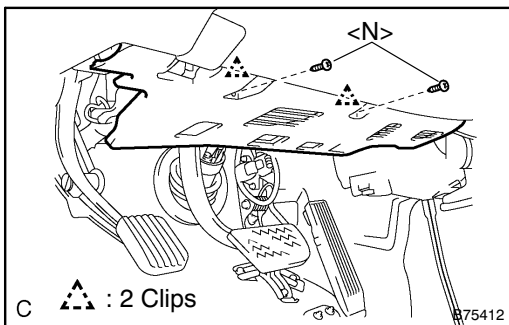
15. REMOVE INSTRUMENT CLUSTER FINISH PANEL END

- (a) Using a screwdriver, disengage the 2 claws and the clip and remove the instrument cluster finish panel center end.

HINT:

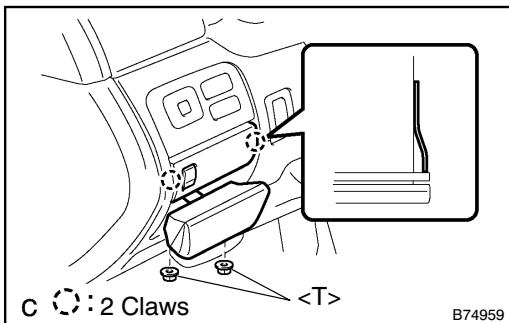
Tape up the screwdriver tip before use.

- (b) Disconnect the connector.



16. REMOVE INSTRUMENT PANEL UNDER COVER SUB-ASSY NO.1

- (a) Remove the 2 screws <N>.
- (b) Disengage the 2 clips and remove the instrument panel under cover sub-assy No.1.
- (c) Disconnect the connectors.

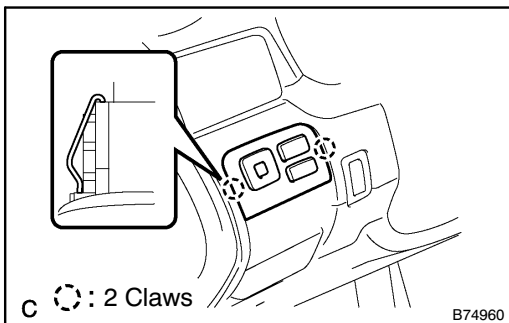


17. REMOVE COIN BOX ASSY

- (a) Pull the parking brake and remove the 2 nuts <T> from the coin box assy.
- (b) Using a moulding remover, disengage the 2 claws and remove the coin box assy.

HINT:

- Use a screwdriver if a moulding remover is not available.
 - Tape up the screwdriver tip before use.
- (c) Disconnect the connector.

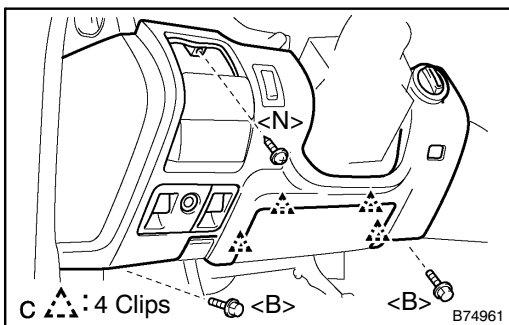


18. REMOVE OUTER MIRROR SWITCH ASSY

- (a) Using a moulding remover, disengage the 2 claws and remove the outer mirror switch assy.

HINT:

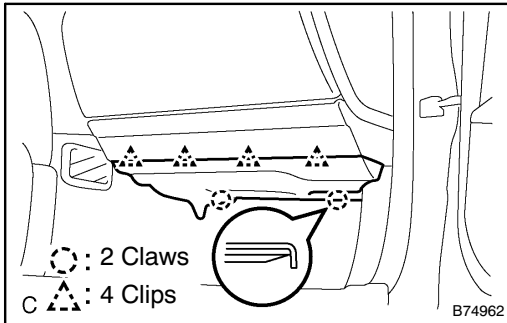
- Use a screwdriver if a moulding remover is not available.
 - Tape up the screwdriver tip before use.
- (b) Disconnect the connectors.



19. REMOVE INSTRUMENT PANEL SAFETY PAD SUB-ASSY NO.1

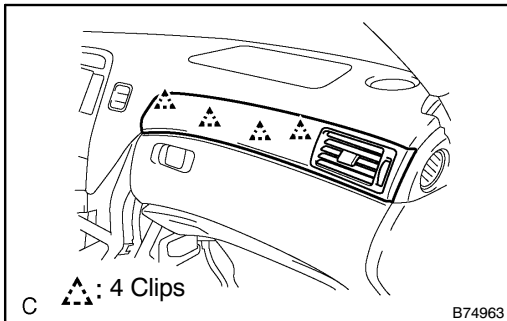
- (a) Remove the 2 bolts and the screw <N>.
- (b) Remove the 2 bolts <D> and the hood lock control cable assy.
- (c) Disengage the 4 clips and remove the instrument panel safety pad sub-assy No.1.
- (d) Disconnect the connectors.

20. REMOVE INSTRUMENT PANEL AIR BAG ASSY LOWER NO.1 (SEE PAGE 60-56)



21. REMOVE INSTRUMENT PANEL UNDER COVER SUB-ASSY NO.2

- (a) Disengage the 4 clips and the 2 claws and remove the instrument panel under cover sub-assy No.2.
- (b) Disconnect the connector.



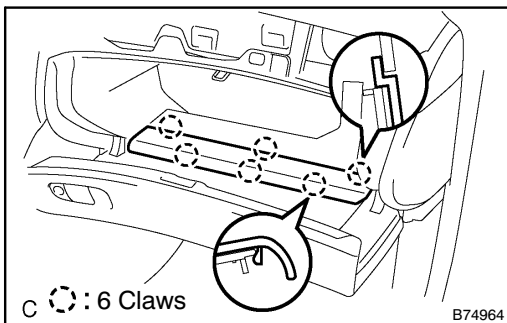
22. REMOVE INSTRUMENT PANEL GARNISH SUB-ASSY RH

- (a) Using a moulding remover, disengage the 4 clips and remove the instrument panel garnish sub-assy RH.

HINT:

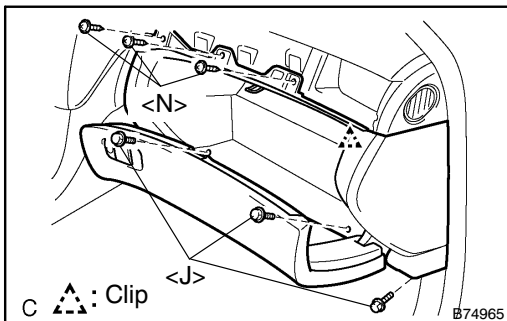
- Use a screwdriver if a moulding remover is not available.
- Tape up the screwdriver tip before use.

23. REMOVE GLOVE COMPARTMENT PLATE



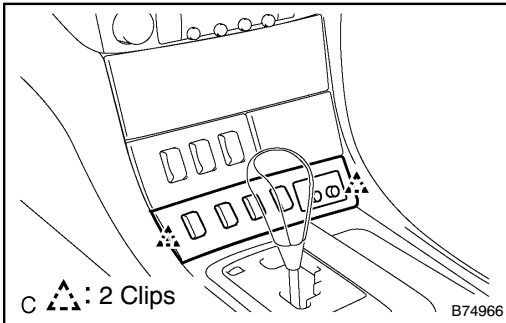
24. REMOVE GLOVE COMPARTMENT HOLE COVER

- (a) Disengage the 6 claws and remove the glove compartment hole cover.



25. REMOVE GLOVE COMPARTMENT DOOR ASSY W/INSTRUMENT PANEL AIRBAG ASSY LOWER NO.2

- (a) Remove the 3 bolts <J> and the 3 screws <N>.
- (b) Disengage the clip and remove the glove compartment door assy w/ instrument panel airbag assy lower No.2.
- (c) Disconnect the connectors.

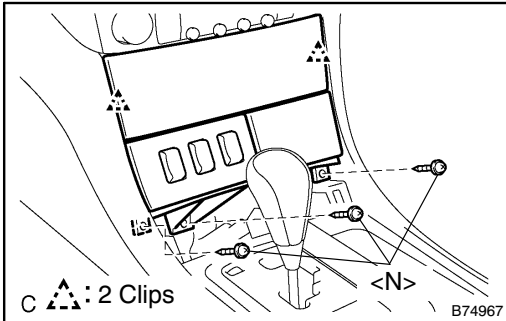


26. REMOVE INSTRUMENT PANEL FINISH PANEL LOWER CENTER

- (a) Using a moulding remover, disengage the 2 clips and remove the instrument panel finish panel lower center.

HINT:

- Use a screwdriver if a moulding remover is not available.
 - Tape up the screwdriver tip before use.
- (b) Disconnect the connector.



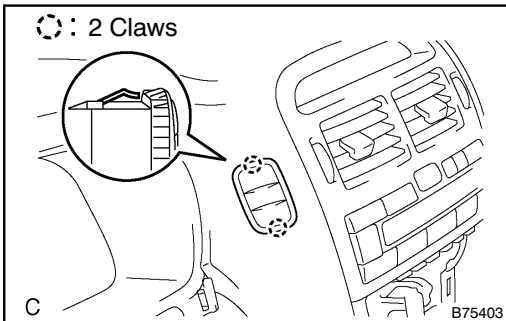
27. REMOVE PANEL INSTRUMENT CLUSTER FINISH LOWER

- (a) Remove the 3 screws <N>.
- (b) Using a moulding remover, disengage the 2 clips and remove the panel instrument cluster finish lower.

HINT:

- Use a screwdriver if a moulding remover is not available.
 - Tape up the screwdriver tip before use.
- (c) Disconnect the connectors.

28. REMOVE RADIO RECEIVER ASSY W/BACKET (SEE PAGE 67-5)



29. REMOVE TEMPERATURE CONTROL SWITCH ASSY

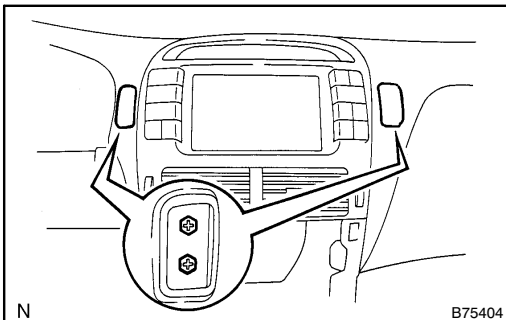
- (a) Using a moulding remover, disengage the 2 claws and remove the temperature control switch assy.

HINT:

- Use a screwdriver if a moulding remover is not available.
 - Tape up the screwdriver tip before use.
- (b) Disconnect the connector.

30. REMOVE TEMPERATURE CONTROL SWITCH ASSY

- (a) Use the same procedure described in the prior step.



31. REMOVE INSTRUMENT CLUSTER FINISH PANEL SUB-ASSY CENTER (W/ LEXUS NAVIGATION SYSTEM)

- (a) Remove the 4 bolts.

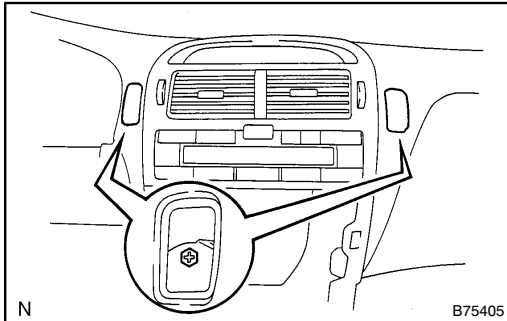
HINT:

Be careful not to drop the bolts when removing them from the display.

- (b) Using a moulding remover, disengage the 4 clips and remove the instrument cluster finish panel sub-assy center.

HINT:

- Remove the multi-display together with instrument cluster finish panel sub-assy center.
 - Use a screwdriver if a moulding remover is not available.
 - Tape up the screwdriver tip before use.
- (c) Disconnect the connectors.



32. REMOVE INSTRUMENT CLUSTER FINISH PANEL SUB-ASSY CENTER (W/O LEXUS NAVIGATION SYSTEM)

- (a) Remove the 2 bolts.

HINT:

Be careful not to drop the bolts when removing them from the display.

- (b) Using a moulding remover, disengage the 4 clips and remove the instrument cluster finish panel sub-assy center.

HINT:

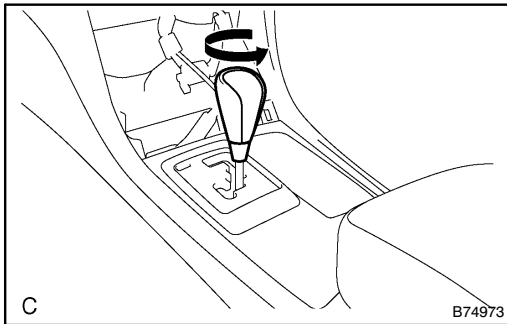
- Remove the multi-display together with instrument cluster finish panel sub-assy center.
 - Use a screwdriver if a moulding remover is not available.
 - Tape up the screwdriver tip before use.
- (c) Disconnect the connectors.

33. REMOVE FRONT PILLAR GARNISH LH (SEE PAGE 76-52)

34. REMOVE FRONT PILLAR GARNISH RH (SEE PAGE 76-52)

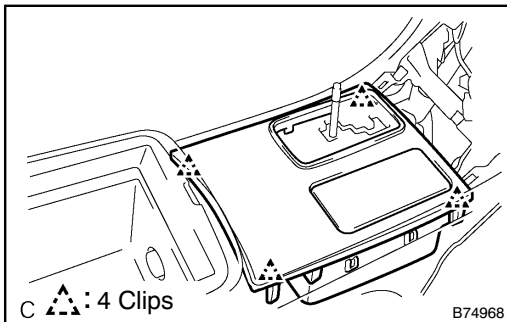
35. REMOVE FRONT DOOR SCUFF PLATE LH (SEE PAGE 76-52)

36. REMOVE FRONT DOOR SCUFF PLATE RH (SEE PAGE 76-52)



37. REMOVE SHIFT LEVER KNOB SUB-ASSY

- (a) Turn the shift lever knob sub-assy counterclockwise and remove the shift lever knob sub-assy.

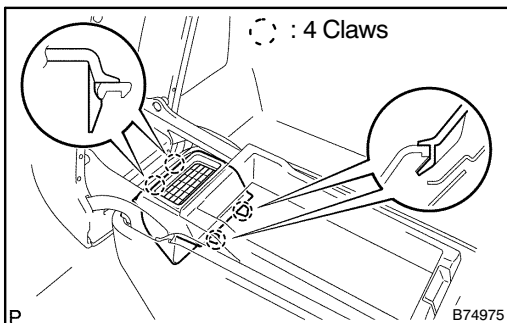


38. REMOVE CONSOLE PANEL SUB-ASSY UPPER

- (a) Using a moulding remover, disengage the 4 clips and remove the console panel sub-assy upper.

HINT:

- Use a screwdriver if a moulding remover is not available.
 - Tape up the screwdriver tip before use.
- (b) Disconnect the connector.



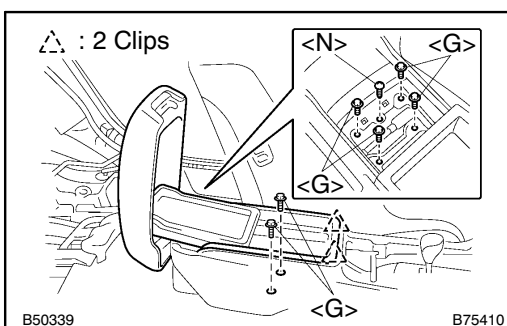
39. REMOVE CONSOLE UPPER REAR PANEL SUB-ASSY

- (a) Using a screwdriver, disengage the 4 claws and remove the console upper rear panel sub-assy.

HINT:

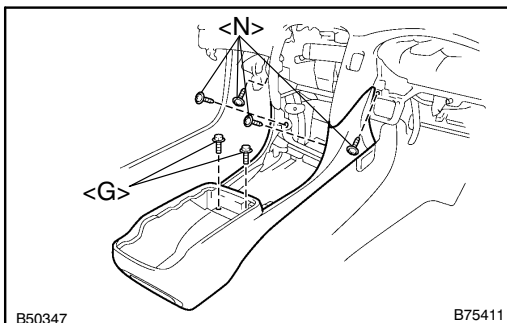
Tape up the screwdriver tip before use.

40. REMOVE CONSOLE BOX CARPET



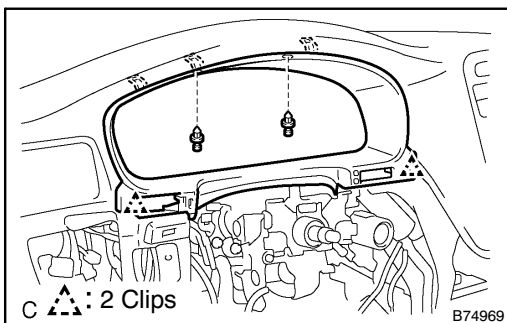
41. REMOVE REAR CONSOLE ARMREST ASSY

- (a) Remove the 2 bolts <N>.
- (b) Slide the inner tray forward and remove the 4 bolts <G> and the screw <N>.
- (c) Disconnect the connectors.
- (d) Disengage the 2 clips and remove the rear console armrest assy.



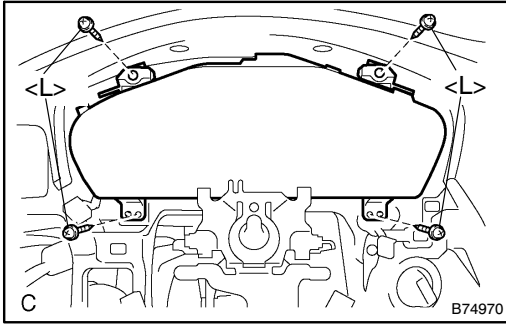
42. REMOVE CONSOLE BOX

- (a) Remove the 2 bolts <G> and the 4 screws <N>.
- (b) Disconnect the connector and remove the console box.



43. REMOVE INSTRUMENT CLUSTER FINISH PANEL

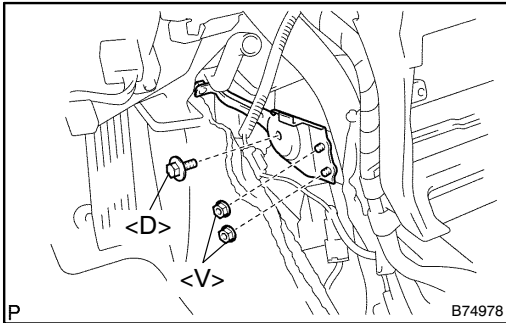
- (a) Remove the 2 clips.
- (b) Pull the instrument cluster finish panel away from the dash.
- (c) Disengage the 2 clips and remove the instrument cluster finish panel.

**44. REMOVE COMBINATION METER ASSY**

- (a) Remove the 4 screws <L>.
- (b) Disconnect the connector and remove the combination meter assy.

45. DISCONNECT STARTER W/SMART SWITCH ASSY (SEE PAGE 50-10)**46. REMOVE STEERING COLUMN ASSY (SEE PAGE 50-10)**

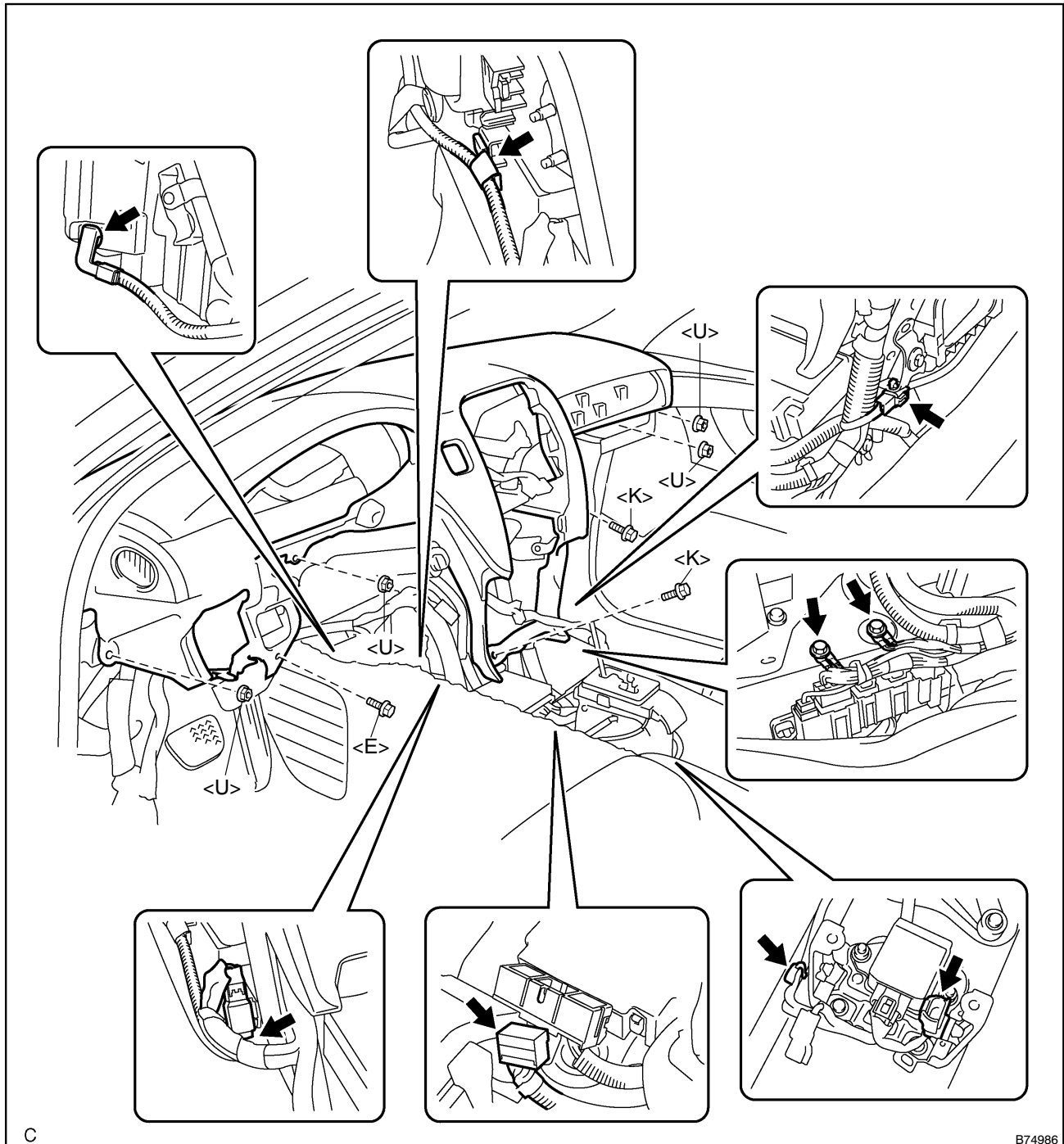
SST 09921-00010

47. DISCONNECT PARKING BRAKE RELEASE CABLE SUB-ASSY (SEE PAGE 32-12)**48. REMOVE INSTRUMENT PANEL PLATE**

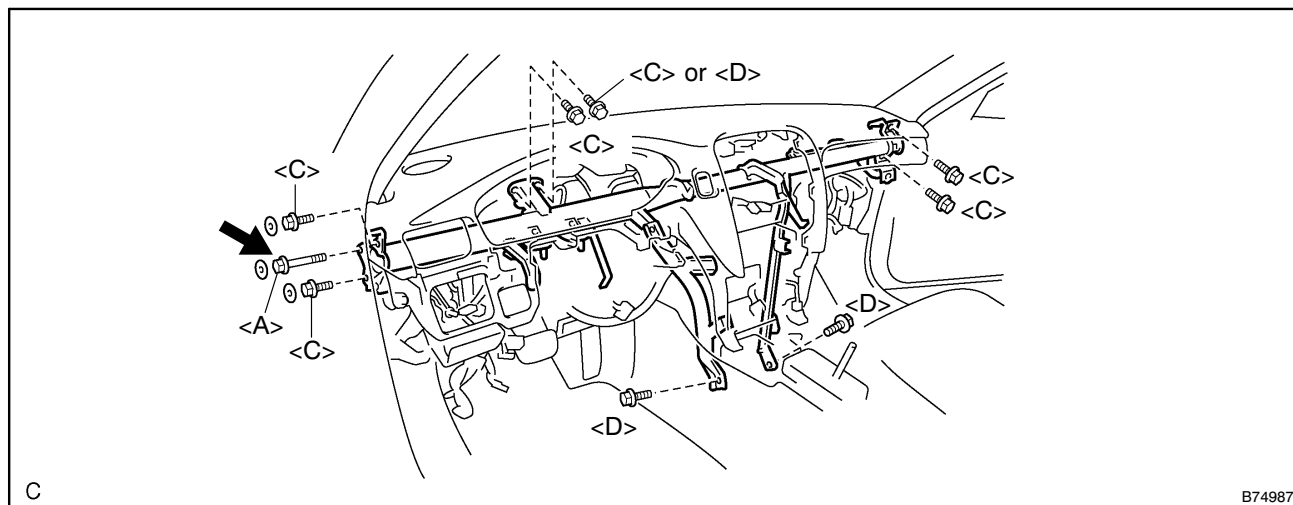
- (a) Remove the bolt <D>, the 2 nuts <V> and the instrument panel plate.

49. REMOVE INSTRUMENT PANEL SAFETY PAD SUB-ASSY W/REINFORCEMENT ASSY

- (a) Disconnect the connectors.
- (b) Disengage the clamps.
- (c) Remove the 2 earth bolts.
- (d) Remove the 3 bolts <E>, <K> and the 4 nuts <U>.
- (e) Disengage the instrument panel safety pad sub-assy from the reinforcement assy.



- (f) Remove the 8 bolts <C>, <D> and loosen the bolt <A> indicated by the arrow shown in the illustration.
 (g) Remove the instrument panel safety pad sub-assy w/ reinforcement assy.



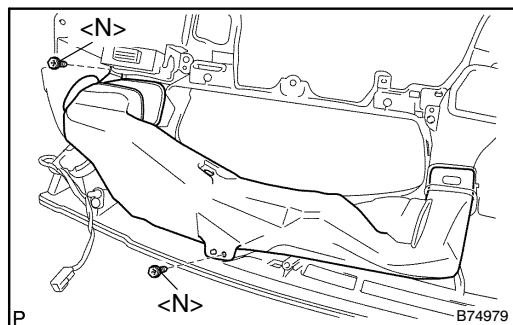
50. REMOVE INSTRUMENT PANEL WIRE

- (a) Remove the 8 screws <N>.
 (b) Disengage the clamps.
 (c) Remove the instrument panel wire.

51. REMOVE DEFROSTER NOZZLE ASSY

- (a) Remove the 3 screws <N>, the 2 clips and the defroster nozzle assy.

52. REMOVE INSTRUMENT PANEL REINFORCEMENT ASSY

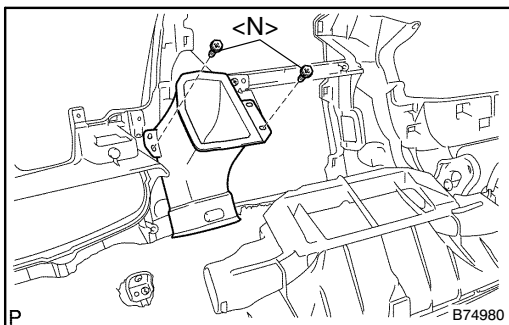


53. REMOVE HEATER TO REGISTER DUCT ASSY

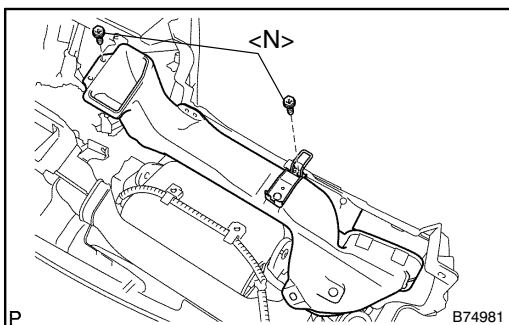
- (a) Remove the 2 screws <N> and the heater to register duct assy.

54. REMOVE NETWORK GATEWAY ECU

- (a) Remove the 2 screws <N> and network gateway ECU.

**55. REMOVE HEATER TO REGISTER DUCT NO.2**

- (a) Remove the 2 screws <N> and the heater to register duct No.2.

**56. REMOVE HEATER TO REGISTER DUCT NO.4**

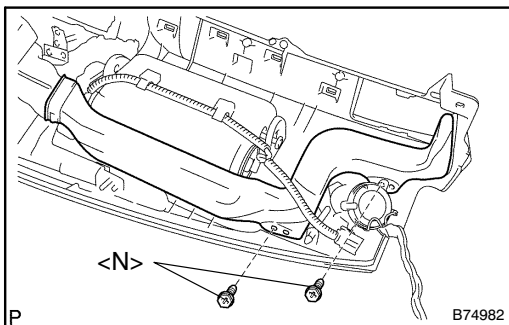
- (a) Remove the 2 screws <N> and the heater to register duct No.4.

57. REMOVE HEATER TO REGISTER DUCT NO.3 (W/ LEXUS NAVIGATION SYSTEM)

- (a) Remove the 2 screws <N> and the heater to register duct No.3.

58. REMOVE HEATER TO REGISTER DUCT NO.3 (W/O LEXUS NAVIGATION SYSTEM)

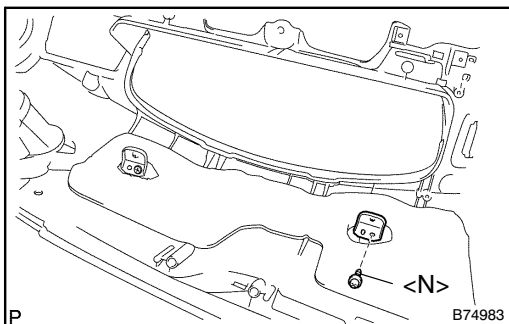
- (a) Remove the 3 screws <N> and the heater to register duct No.3.

**59. REMOVE SIDE DEFROSTER NOZZLE DUCT NO.2**

- (a) Remove the 2 screws <N> and the side defroster nozzle duct No.2.

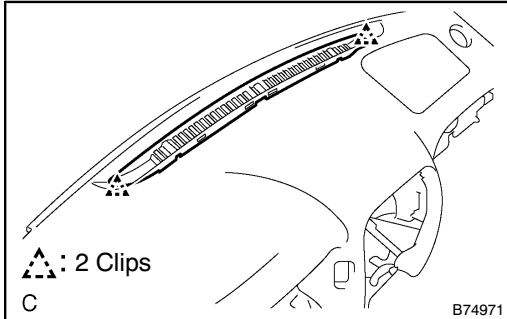
60. REMOVE INSTRUMENT PANEL MOUNTING BRACKET NO.1

- (a) Remove the screw <N> and the instrument panel mounting bracket No.1.

**61. REMOVE METER HOOD RETAINER NO.1**

- (a) Remove the screw <N> and the meter hood retainer No.1.

62. REMOVE NAVIGATION ANTENNA ASSY (W/ LEXUS NAVIGATION SYSTEM) (SEE PAGE 67-33)
63. REMOVE FRONT NO.2 SPEAKER ASSY (SEE PAGE 67-21)

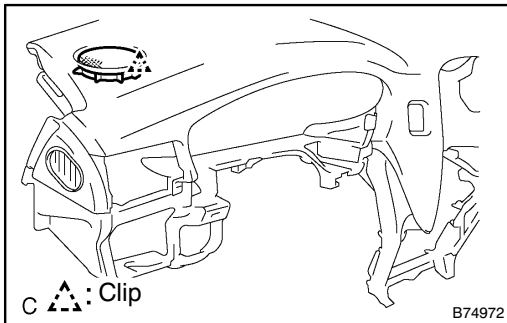


64. REMOVE DEFROSTER NOZZLE GARNISH NO.1

- (a) Using a moulding remover, disengage the 2 clips and remove the defroster nozzle garnish No.1.

HINT:

- Use a screwdriver if a moulding remover is not available.
- Tape up the screwdriver tip before use.



65. REMOVE INSTRUMENT PANEL SPEAKER PANEL SUB-ASSY NO.1

- (a) Using a moulding remover, disengage the 2 clips and remove the instrument panel speaker panel sub-assy No.1.

HINT:

- Use a screwdriver if a moulding remover is not available.
- Tape up the screwdriver tip before use.

66. REMOVE INSTRUMENT PANEL SPEAKER PANEL SUB-ASSY NO.2

- (a) Use the same procedure described in the prior step.

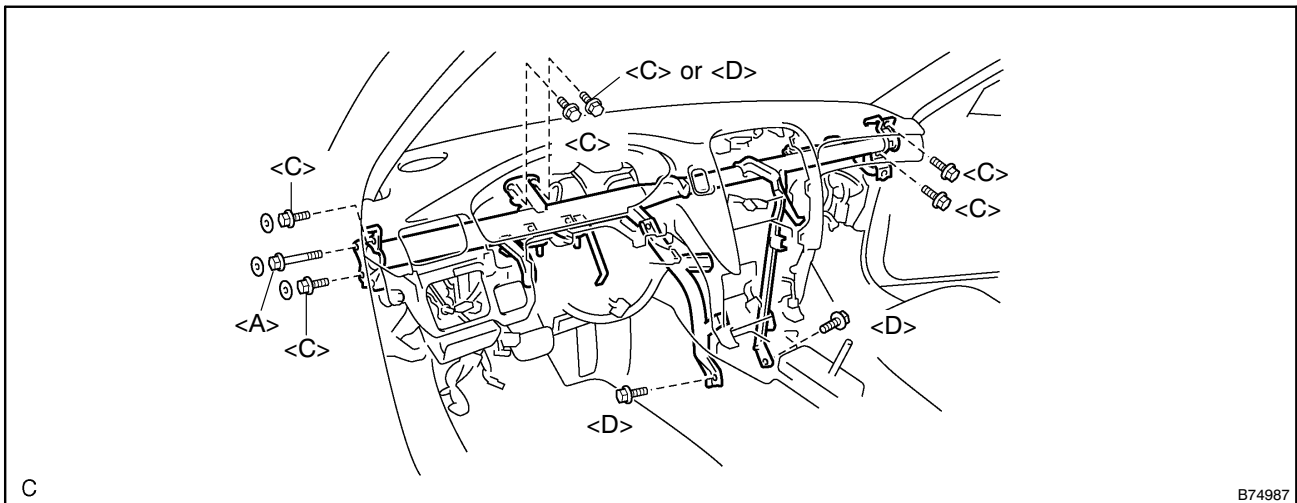
67. REMOVE FRONT PASSENGER AIRBAG ASSY CONNECTOR (SEE PAGE 60-33)

68. REMOVE INSTRUMENT PANEL SAFETY PAD SUB-ASSY

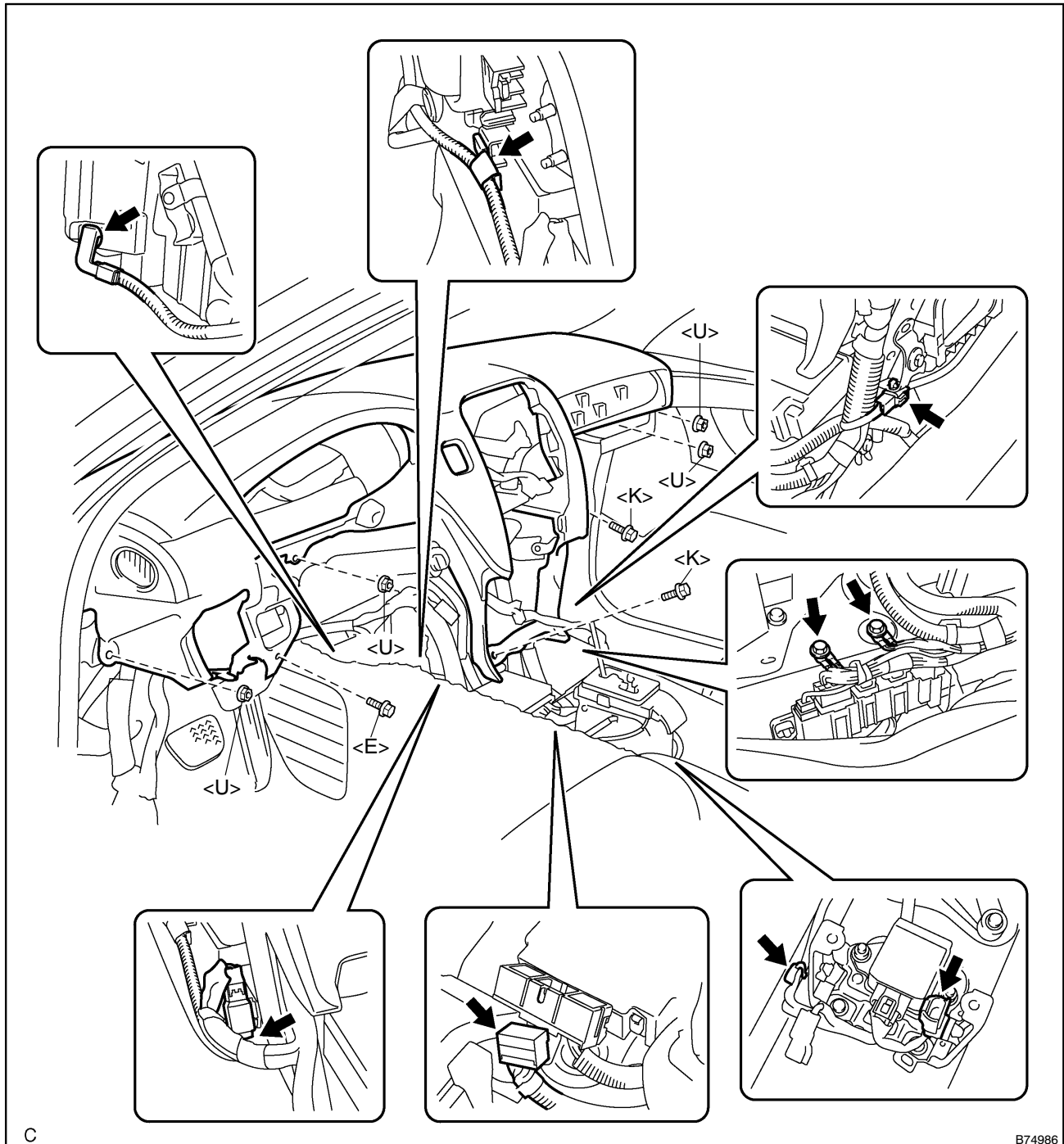
69. INSTALL FRONT PASSENGER AIRBAG ASSY CONNECTOR

70. INSTALL INSTRUMENT PANEL SAFETY PAD SUB-ASSY W/REINFORCEMENT ASSY

- (a) Install the instrument panel safety pad sub-assy w/ reinforcement assy with the 9 bolts <A>, <C>, <D>. Torque: 20 N·m (204 kgf·cm, 15 ft·lbf)



- (b) Install the instrument panel safety pad sub-assy w/ reinforcement assy with the 3 bolts <E>, <K> and the 4 nuts <U>.
- (c) Install the 2 earth bolts.
- (d) Connect the connectors.
- (e) Engage the clamps.

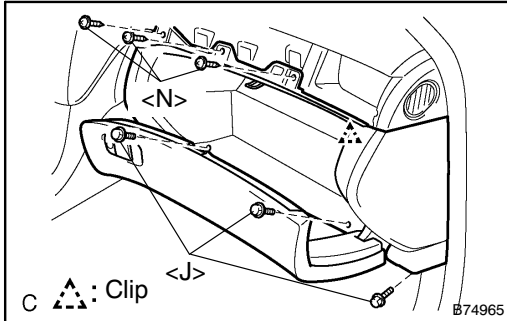


C

B74986

71. INSTALL STEERING COLUMN ASSY (SEE PAGE 50-10)

SST 09921-00010

**72. INSTALL INSTRUMENT PANEL AIR BAG ASSY LOWER NO.1**

- (a) Connect the connectors.
- (b) Engage the clip and install the glove compartment door assy w/ instrument panel airbag assy lower No.2 with the 3 bolts <J> and the 3 screws <N>.

Torque: 10 N·m (102 kgf·cm, 7 ft·lbf)**73. INSTALL SPIRAL CABLE SUB-ASSY (SEE PAGE 60-29)****74. CENTER SPIRAL CABLE (SEE PAGE 60-29)****75. INSTALL STEERING WHEEL ASSY (SEE PAGE 50-10)****76. STEERING WHEEL CENTER POINT****77. INSTALL HORN BUTTON ASSY (SEE PAGE 50-10)****78. CONNECT BATTERY NEGATIVE TERMINAL****79. INSPECT HORN BUTTON ASSY (SEE PAGE 60-20)****80. INSPECT SRS WARNING LIGHT (SEE PAGE 05-1032)****81. PERFORM INITIALIZATION (SEE PAGE 01-20)**