

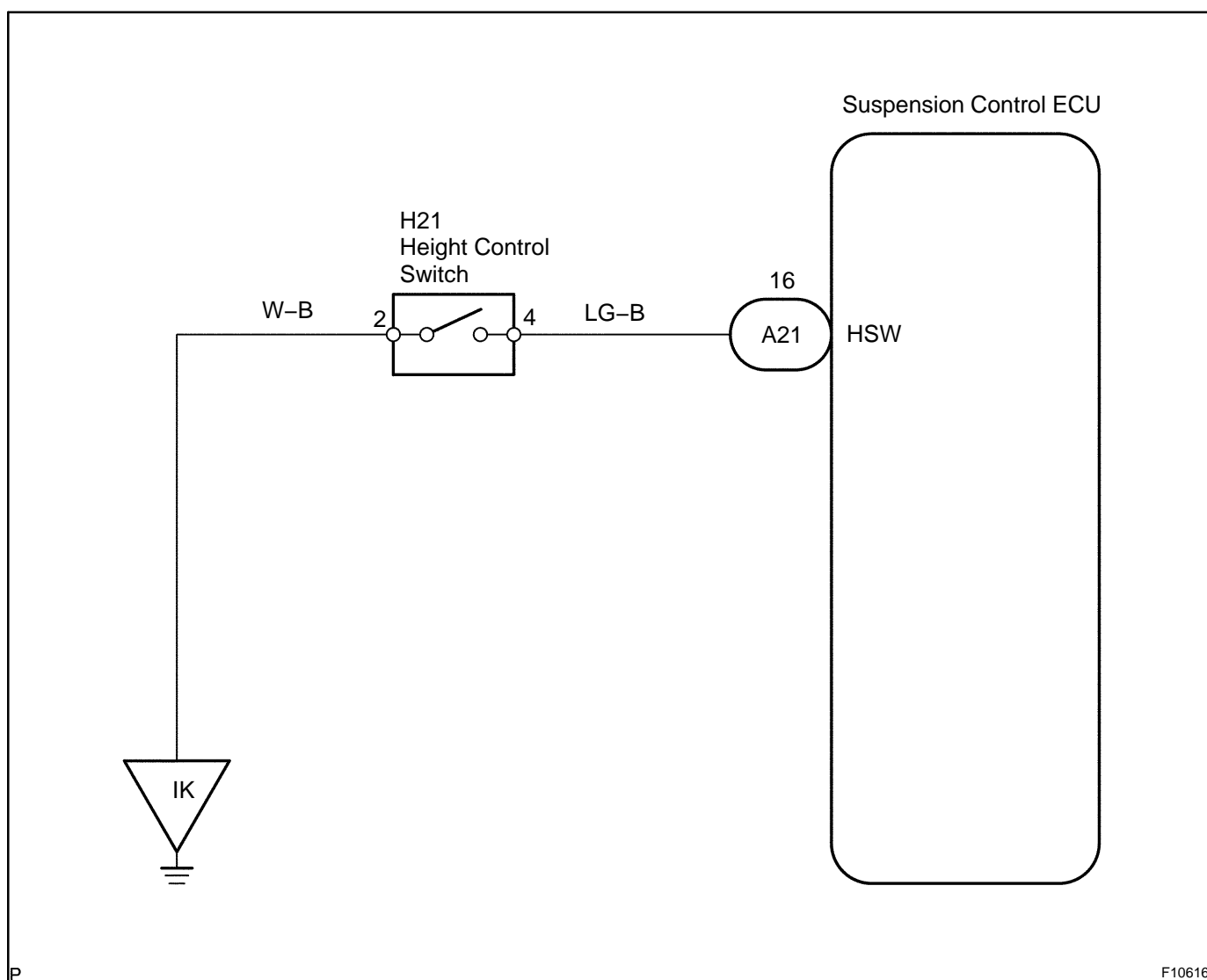
<b>DTC</b>	<b>C1786 / 86</b>	<b>Height Control Switch Circuit</b>
------------	-------------------	--------------------------------------

**CIRCUIT DESCRIPTION**

The height control switch goes on when it is pressed to the "HIGH" side and goes off when pressed to the "NORM" side. The ECU detects the height control switch condition, and raises or lowers the vehicle height accordingly.

DTC No.	DTC Detecting Condition	Trouble Area
C1786 / 86	Height control switch signal does not change	<ul style="list-style-type: none"> <li>• Height control switch</li> <li>• Height control switch circuit</li> <li>• Suspension control ECU</li> </ul>

**WIRING DIAGRAM**

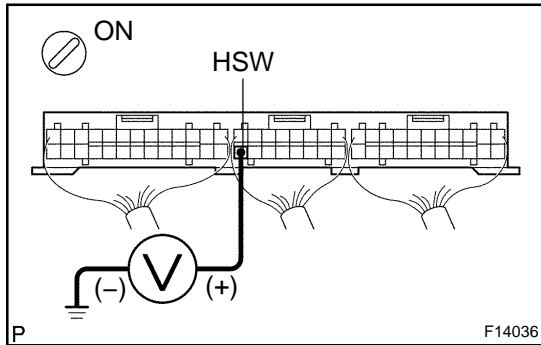


P

F10616

## INSPECTION PROCEDURE

**1 Check voltage between terminal HSW of suspension control ECU connector and body ground.**



**PREPARATION:**

Remove the suspension control ECU with the connectors still connected.

**CHECK:**

- (a) Turn the ignition switch ON.
- (b) Measure voltage between terminal HSW of the suspension control ECU connector and body ground when the height control switch is pressed to "NORM" side and "HIGH" side.

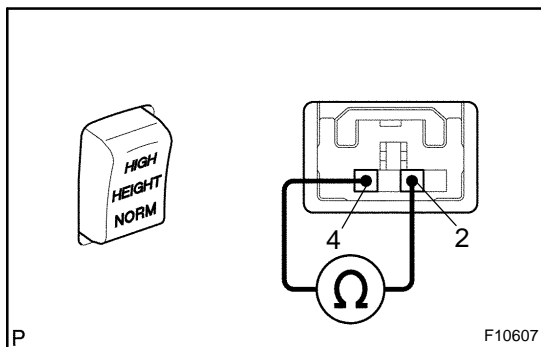
**OK:**

Switch position	Voltage
NORM	10 – 14 V
HIGH	0 – 1.2 V

**OK** Proceed to next circuit inspection shown on problem symptoms table (See page DI-316).

**NG**

**2 Check height control switch.**



**PREPARATION:**

- (a) Remove the height control switch.
- (b) Disconnect the height control switch connector.

**CHECK:**

Measure resistance between terminals 2 and 4 of the height control switch connector when the height control switch is in each position.

**OK:**

Switch position	Resistance
NORM	$\infty \Omega$ (Open)
HIGH	0 $\Omega$ (Continuity)

**NG** Replace height control switch.

**OK**

3	Check for open and short circuit in harness and connector between suspension control ECU and switch, switch and body ground (See page <a href="#">IN-34</a> ).
---	--

NG

Repair or replace harness or connector.

OK

Check and replace suspension control ECU.