

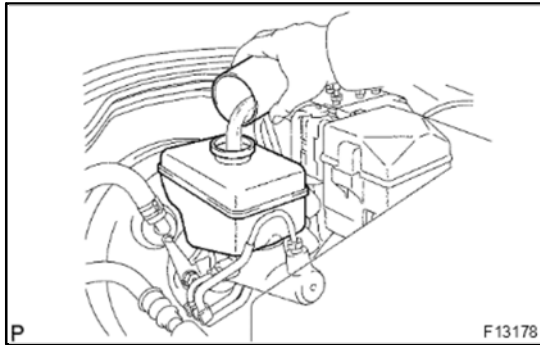
BRAKE FLUID BLEEDING

HINT:

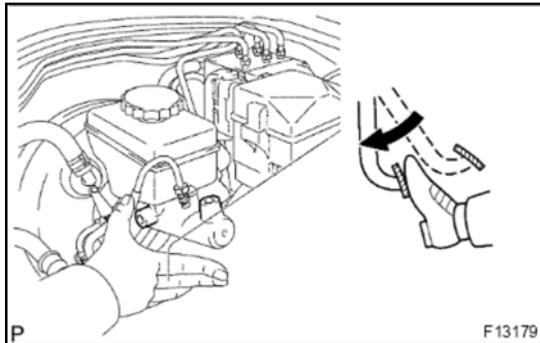
If any work is done on the brake system or if air in the brake lines is suspected, bleed the air from the system.

NOTICE:

Do not let brake fluid remain on painted surfaces. Wash it off immediately.

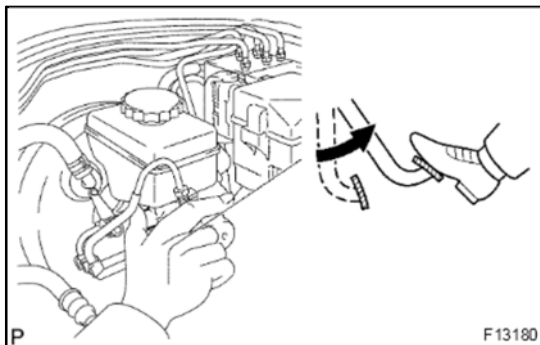


1. **FILL RESERVOIR WITH BRAKE FLUID**
Fluid: SAE J1703 or FMVSS NO .116 DOT3

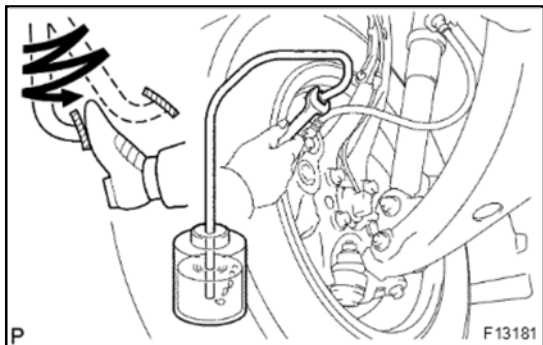


2. **IF MASTER CYLINDER WAS DISASSEMBLED OR IF RESERVOIR BECOMES EMPTY:
BLEED MASTER CYLINDER**

- (a) Disconnect the brake lines from the master cylinder.
SST 09751-36011
- (b) Slowly depress the brake pedal and hold it.



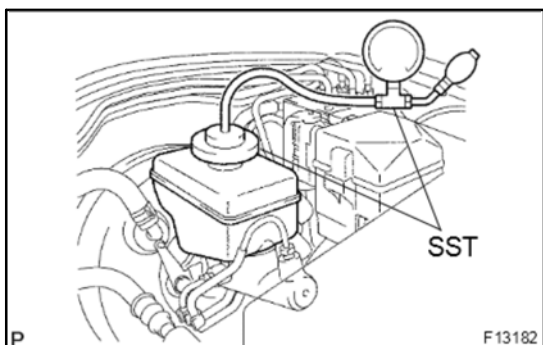
- (c) Block off the outer holes with your fingers, and release the brake pedal.
- (d) Repeat (b) and (c) 3 or 4 times.



3. BLEED BRAKE LINE

- (a) Connect the vinyl tube to the brake caliper.
- (b) Depress the brake pedal several times, then loosen the bleeder plug with the pedal depressed.
- (c) At the point when fluid stops coming out, tighten the bleeder plug, then release the brake pedal.
- (d) Repeat (b) and (c) until all the air in the fluid has been bled out.
- (e) Repeat the above procedure to bleed the air out of the brake line for each wheel.

Torque: 11 N·m (110 kgf·cm, 8 ft·lbf)



4. IF BRAKE ACTUATOR WAS REMOVED OR REPLACED:

BLEED BRAKE ACTUATOR

- (a) Remove the reservoir cap.
- (b) Install SST to the reservoir.
SST 09992-00242, 09992-00350
- (c) Connect the vinyl tube to the bleeder plug of the brake actuator.
- (d) Using SST, apply the pressure described below to the reservoir.

Pressure: 98.1 kpa (1.0 kgf/cm², 14.2 psi)

- (e) Loosen the bleeder plug.
- (f) Bleed the air out of the brake actuator, tighten the bleeder plug.

Torque: 8.3 N·m (85 kgf·cm, 74 in·lbf)

5. CHECK FLUID LEVEL IN RESERVOIR

Check the fluid level and add fluid if necessary.

Fluid: SAE J1703 or FMVSS NO .116 DOT3

