

REPLACEMENT

HINT:

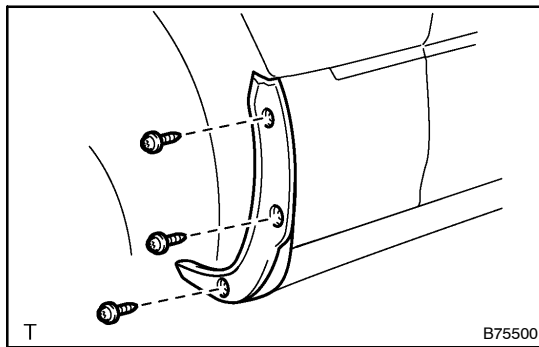
- Use the same procedures for the RH side and LH side.
- The procedures listed below are for the LH side.
- When replacing the moulding, heat the body and moulding using a heat light.

Heating temperature:

Item	Temperature
Body	40 to 60°C (104 to 140°F)
Moulding	20 to 30°C (68 to 86°F)

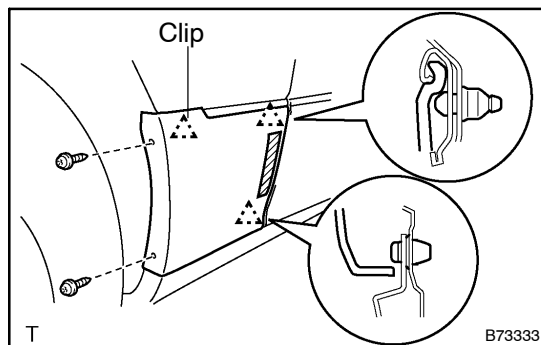
NOTICE:

Do not heat the body and moulding excessively.



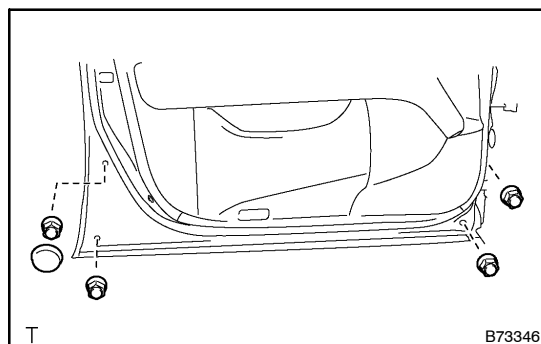
1. REMOVE FRONT FENDER MUDGUARD SUB-ASSY LH (W/ MUDGUARD)

- (a) Using a hexagon wrench, remove the 3 screws and mudguard.



2. REMOVE FRONT FENDER OUTSIDE MOULDING LH

- (a) w/o Mudguard:
Using a hexagon wrench, remove the 2 screws.
- (b) Using a moulding remover, pry out the moulding.
- (c) Pull off the moulding by cutting the adhesive with a knife.
- (d) Remove the moulding.



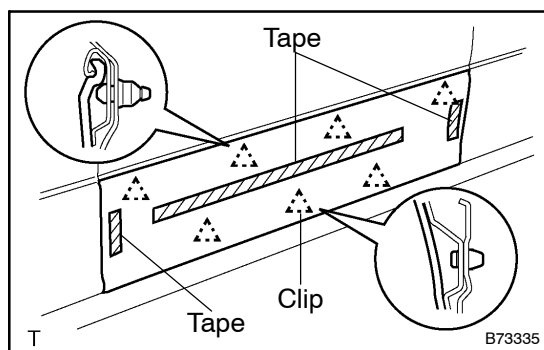
3. REMOVE FRONT DOOR OUTSIDE MOULDING LH

- (a) Using a screwdriver, remove the hole cover.

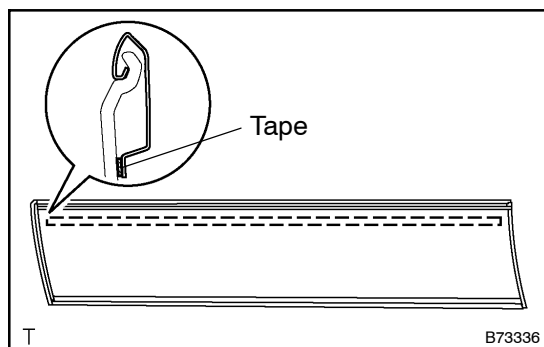
HINT:

Tape the screwdriver tip before use.

- (b) Remove the 4 nuts.

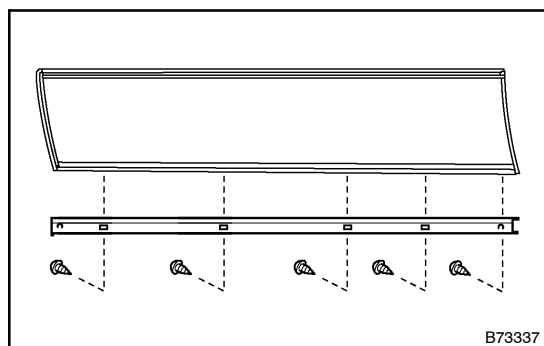


- (c) Using a moulding remover, pry out the moulding.
- (d) Pull off the moulding by cutting the adhesive with a knife.
- (e) Remove the moulding.



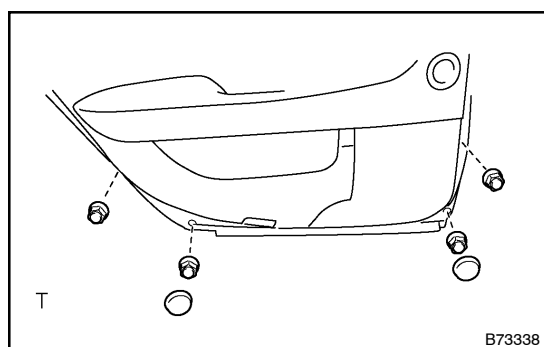
4. REMOVE FRONT DOOR OUTSIDE MOULDING UPPER LH

- (a) Using a moulding remover, pry out the moulding.
- (b) Pull off the moulding by cutting the adhesive with a knife.
- (c) Remove the front door outside moulding upper from the front door outside moulding.



5. REMOVE FRONT DOOR OUTSIDE MOULDING LOWER LH

- (a) Remove the 5 screws and front door outside moulding lower from the front door outside moulding.



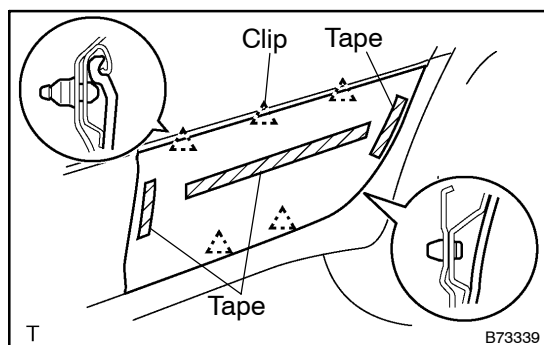
6. REMOVE REAR DOOR OUTSIDE MOULDING LH

- (a) Using a screwdriver, remove the 2 hole covers.

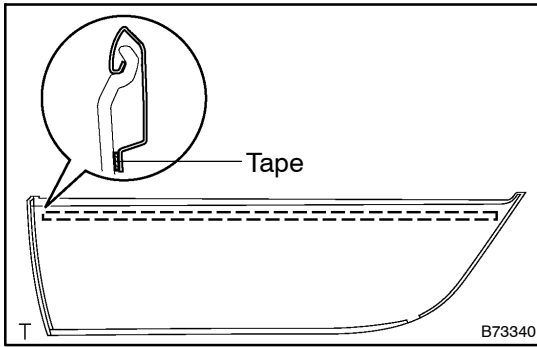
HINT:

Tape the screwdriver tip before use.

- (b) Remove the 4 nuts.

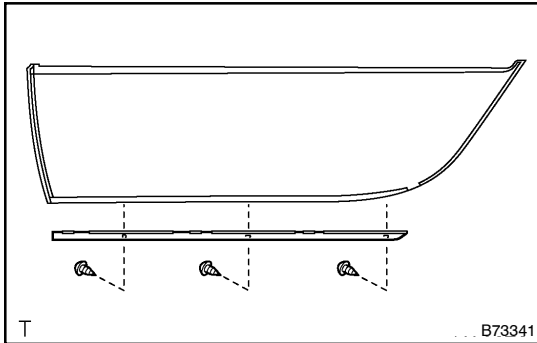


- (c) Using a moulding remover, pry out the moulding.
- (d) Pull off the moulding by cutting the adhesive with a knife.
- (e) Remove the rear door outside moulding.



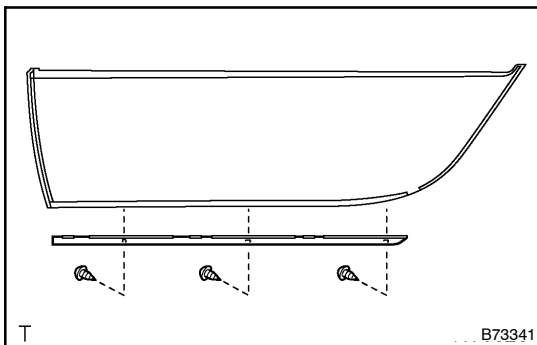
7. REMOVE REAR DOOR OUTSIDE MOULDING UPPER LH

- (a) Using a moulding remover, pry out the moulding.
- (b) Pull off the moulding by cutting the adhesive with a knife.
- (c) Remove the rear door outside moulding upper from the rear door outside moulding.



8. REMOVE REAR DOOR OUTSIDE MOULDING LOWER LH

- (a) Remove the 3 screws and moulding.



9. INSTALL REAR DOOR OUTSIDE MOULDING LOWER LH

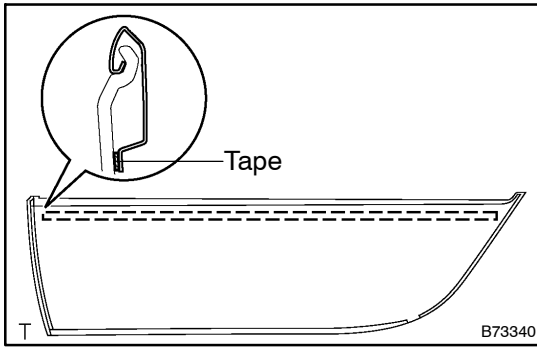
- (a) Install the lower moulding to the rear door outside moulding with the 3 screws.

10. INSTALL REAR DOOR OUTSIDE MOULDING UPPER LH

- (a) Clean the body surface.
 - (1) Using a heat light, heat the body surface.
 - (2) Remove the double-sided tape from the body.
 - (3) Wipe off the stains with cleaner.
- (b) If reusing moulding:

Clean the moulding.

 - (1) Using a heat light, heat the moulding.
 - (2) Remove the double-sided tape from the moulding.
 - (3) Wipe off the stains with cleaner.



(4) Apply new double-sided tape to the moulding, as shown in the illustration.

(c) Install the moulding.

- (1) Using a heat light, heat the body and moulding.
- (2) Remove the peeling paper from the face of the moulding.

HINT:

After removing the peeling paper, keep the exposed adhesive free from dirt and other contaminants.

(d) Install the moulding.

11. INSTALL REAR DOOR OUTSIDE MOULDING LH

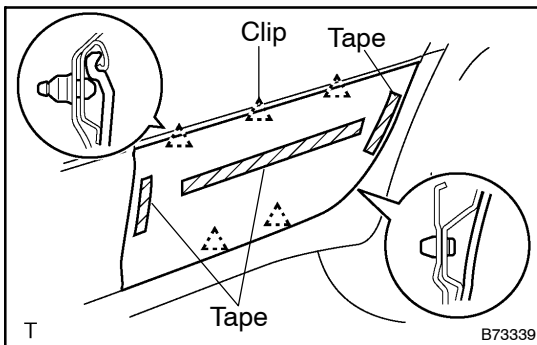
(a) Clean the body surface.

- (1) Using a heat light, heat the body surface.
- (2) Wipe off the stains with cleaner.

(b) If reusing moulding:

Clean the moulding.

- (1) Using a heat light, heat the moulding.
- (2) Remove the double-sided tape from the moulding.
- (3) Wipe off the stains with cleaner.



(4) Apply new double-sided tape to the moulding, as shown in the illustration.

(c) Install the moulding.

- (1) Using a heat light, heat the body and moulding.
- (2) Remove the peeling paper from the face of the moulding.

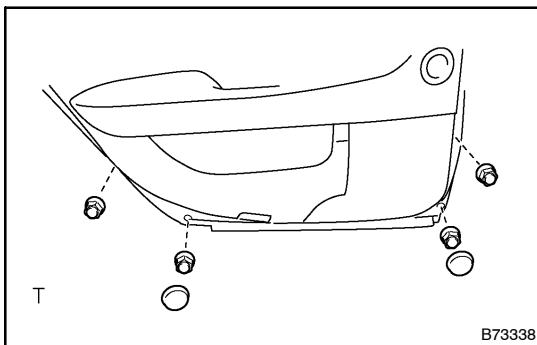
HINT:

After removing the peeling paper, keep the exposed adhesive free from dirt and other contaminants.

- (3) Engage the 5 clips, install the moulding, and firmly press on the moulding.

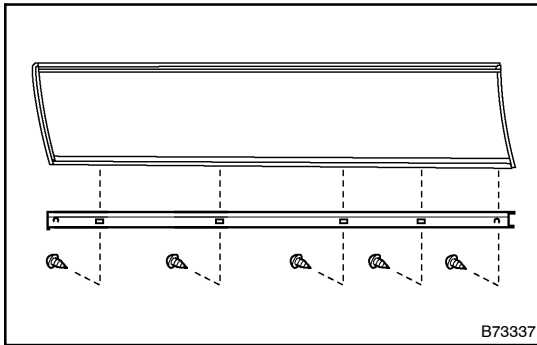
NOTICE:

Do not apply excessive force onto the moulding. Apply steady pressure with your thumbs.



(d) Install the rear door outside moulding with the 4 nuts.

(e) Install the 2 hole covers.

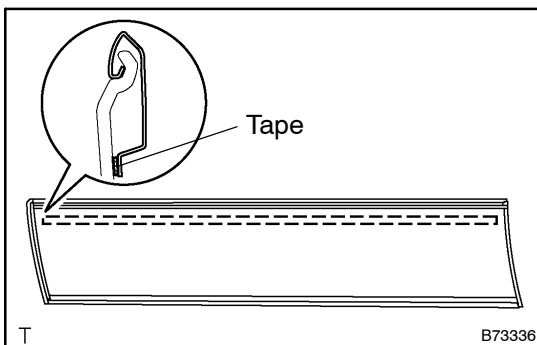


12. INSTALL FRONT DOOR OUTSIDE MOULDING LOWER LH

- (a) Install the lower moulding to the outside moulding with the 5 screws.

13. INSTALL FRONT DOOR OUTSIDE MOULDING UPPER LH

- (a) Clean the body surface.
- (1) Using a heat light, heat the body surface.
 - (2) Remove the double-sided tape from the body.
 - (3) Wipe off the stains with cleaner.
- (b) If reusing moulding:
Clean the moulding.
- (1) Using a heat light, heat the moulding.
 - (2) Remove the double-sided tape from the moulding.
 - (3) Wipe off the stains with cleaner.



- (4) Apply new double-sided tape to the moulding, as shown in the illustration.
- (c) Install the moulding.
- (1) Using a heat light, heat the body and moulding.
 - (2) Release the peeling paper from the face of the moulding.

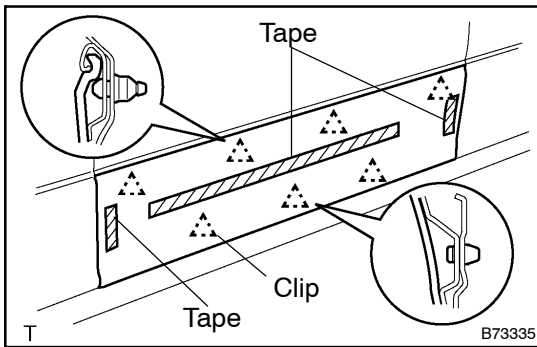
HINT:

After removing the peeling paper, keep the exposed adhesive free from dirt and other contaminants.

- (3) Install the moulding.

14. INSTALL FRONT DOOR OUTSIDE MOULDING LH

- (a) Clean the body surface.
- (1) Using a heat light, heat the body surface.
 - (2) Remove the double-sided tape from the body.
 - (3) Wipe off the stains with cleaner.
- (b) If reusing moulding:
Clean the moulding.
- (1) Using a heat light, heat the moulding.
 - (2) Remove the double-sided tape from the moulding.
 - (3) Wipe off the stains with cleaner.



(4) Apply new double-sided tape to the moulding, as shown in the illustration.

(c) Install the moulding.

- (1) Using a heat light, heat the body and moulding.
- (2) Remove the peeling paper from the face of the moulding.

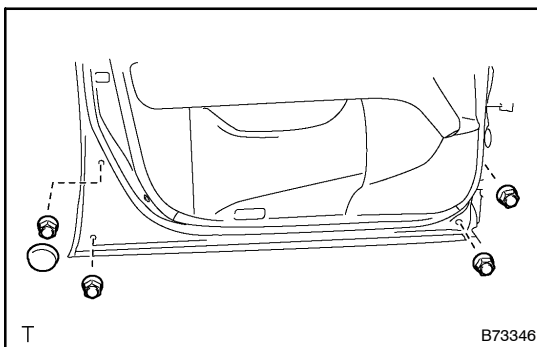
HINT:

After removing the peeling paper, keep the exposed adhesive free from dirt and other contaminants.

- (3) Engage the 7 clips and install the moulding, and firmly press on the moulding.

NOTICE:

Do not apply excessive force onto the moulding. Apply steady pressure with your thumbs.



(d) Install the moulding with the 4 nuts.

(e) Install the hole cover.

15. INSTALL FRONT FENDER OUTSIDE MOULDING LH

(a) Clean the body surface.

- (1) Using a heat light, heat the body surface.
- (2) Remove the double-sided tape from the body.
- (3) Wipe off the stains with cleaner.

(b) If reusing moulding:

Clean the moulding.

- (1) Remove the double-sided tape from the moulding.
- (2) Wipe off the stains with cleaner.

(3) Apply new double-sided tape to the moulding, as shown in the illustration.

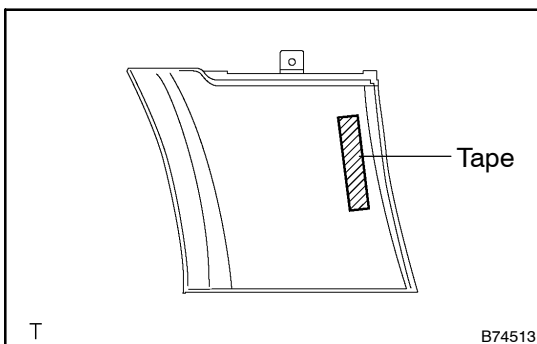
(c) Install the moulding.

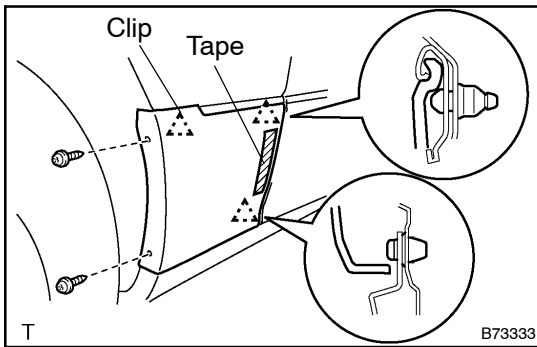
- (1) Using a heat light, heat the body and moulding.
- (2) Remove the peeling paper from the face of the moulding.

HINT:

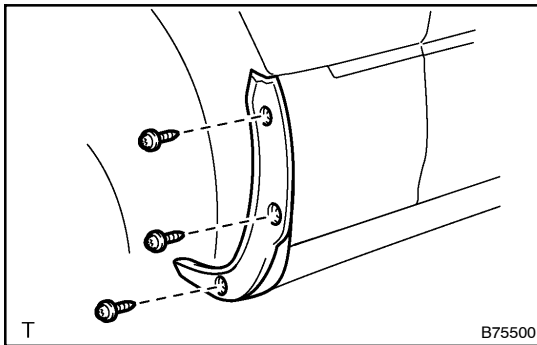
After removing the peeling paper, keep the exposed adhesive free from dirt and other contaminants.

(d) Install the moulding.





- (e) w/o Mudguard:
Using a hexagon wrench, install the 2 screws.



**16. INSTALL FRONT FENDER MUDGUARD SUB-ASSY
LH (W/ MUDGUARD)**

- (a) Using a hexagon wrench, install the mudguard with the 3 screws.