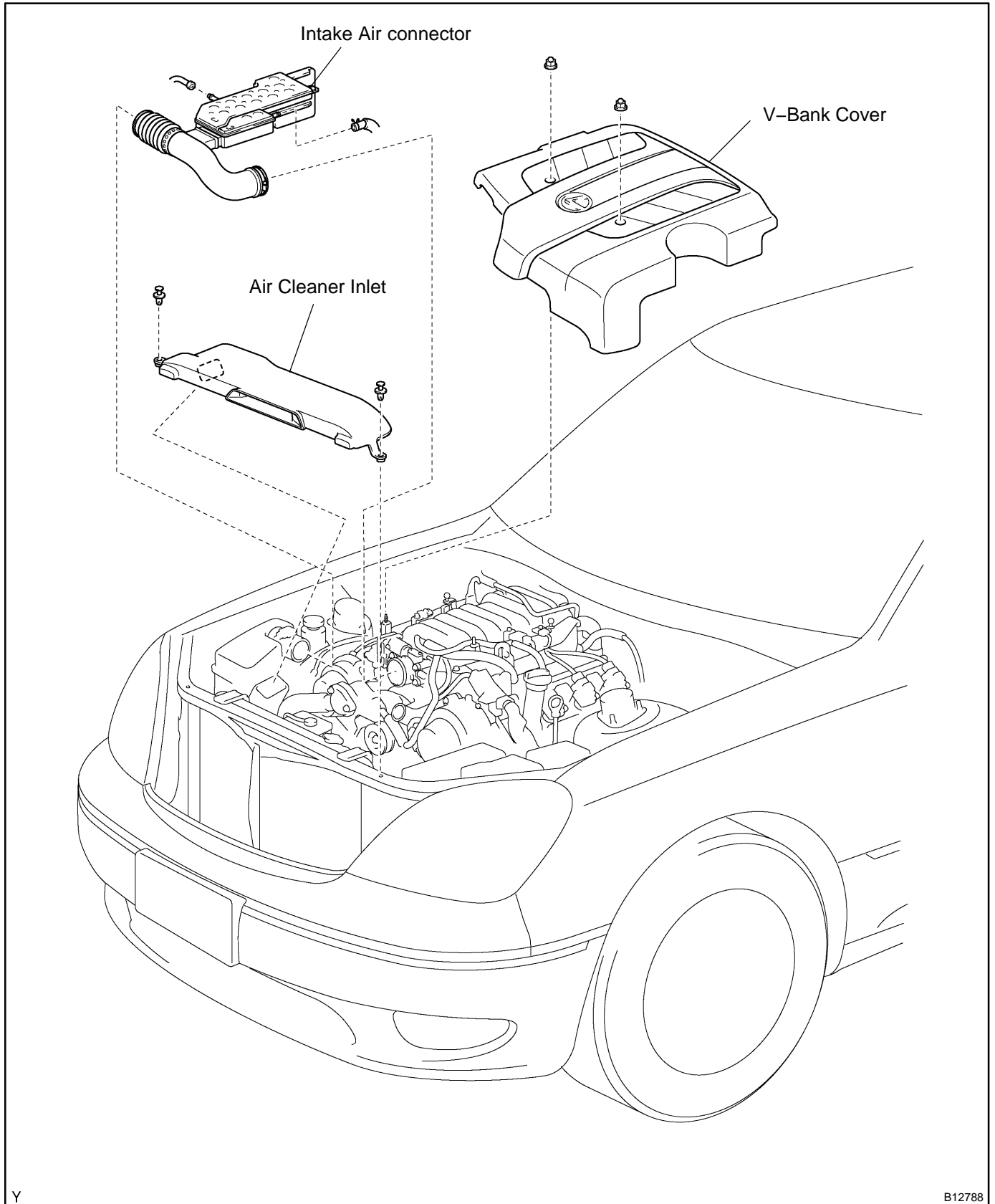


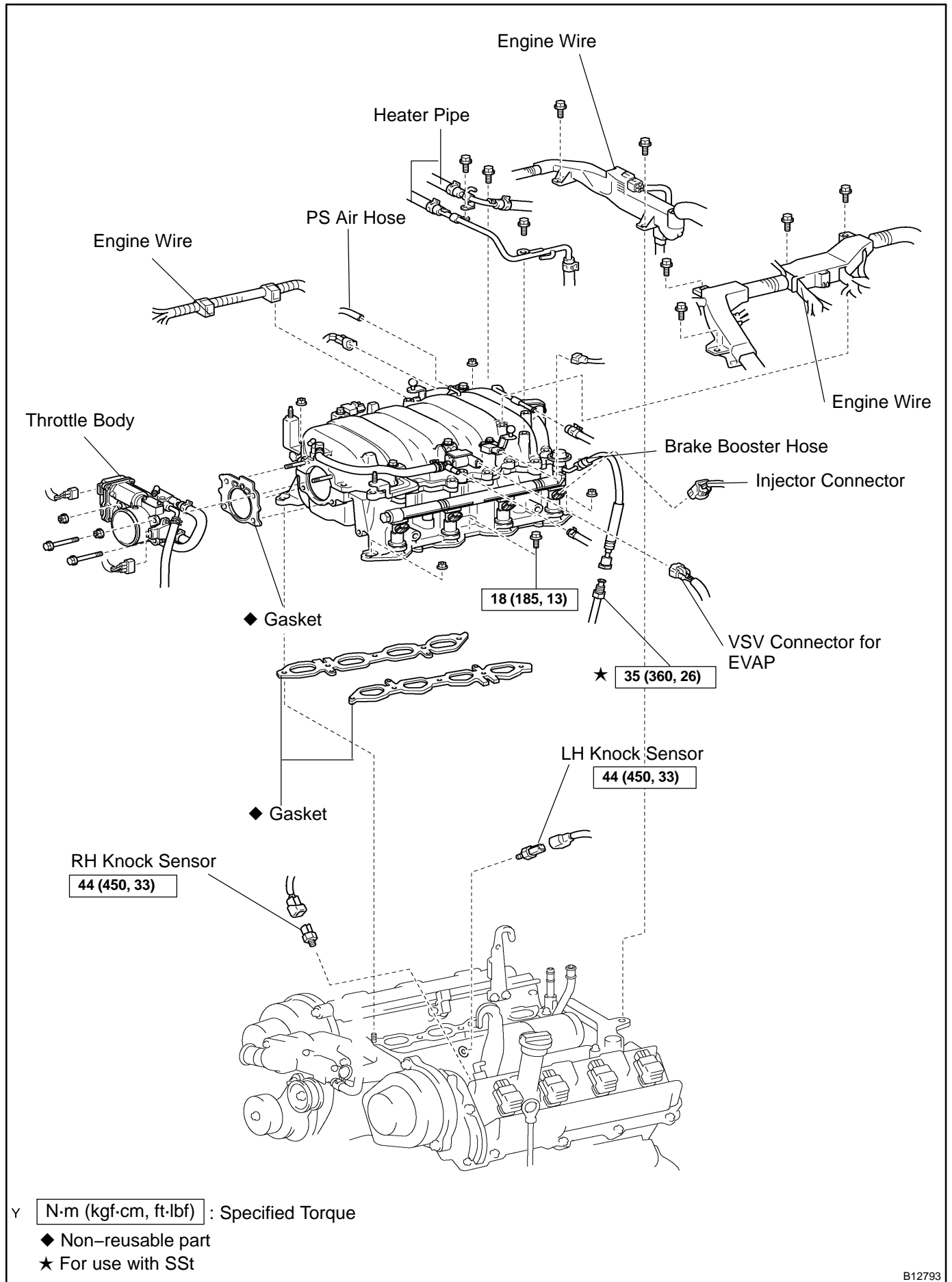
KNOCK SENSOR COMPONENTS

F10YK-01



Y

B12788



B12793