



**Technical Service
Information Bulletin**

May 25, 2006

Title:

FUEL TANK DIFFICULT TO FILL

Models:

'01 – '05 LS 430

ENGINE
EG012-06

Introduction Some customers may experience difficulty when attempting to fill the fuel tank. The fuel filler nozzle may click off before the fuel tank is completely full. Improvements have been made to the fuel filler inlet pipe to correct this condition.

- Applicable Vehicles**
- **2001 – 2005** model year **LS 430** vehicles produced **BEFORE** the Production Change Effective VIN shown below.

**Production
Change
Information**

MODEL	PRODUCTION CHANGE EFFECTIVE VIN
LS 430	JTHBN36F#65037924

**Parts
Information**

MODEL YEAR	PREVIOUS PART NUMBER	CURRENT PART NUMBER	PART NAME	QTY
2001 – 2005	77201-50080	Same	Fuel Tank Inlet Pipe Sub-assembly	1

**Warranty
Information**

OP CODE	DESCRIPTION	TIME	OFF	T1	T2
EG5050	R & R Fuel Tank Inlet Pipe Sub-assembly	2.0	77201-50080 77201-50130	9A	99

Applicable Warranty*:

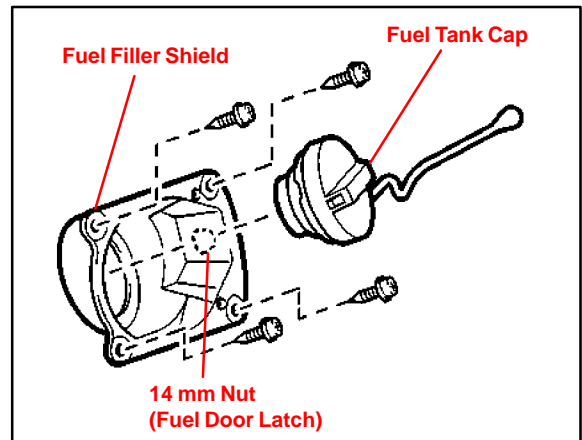
This repair is covered under the Lexus Emissions Warranty. This warranty is in effect for 48 months or 50,000 miles, whichever occurs first, from the vehicle's in-service date.

* Warranty application is limited to correction of a problem based upon a customer's specific complaint.

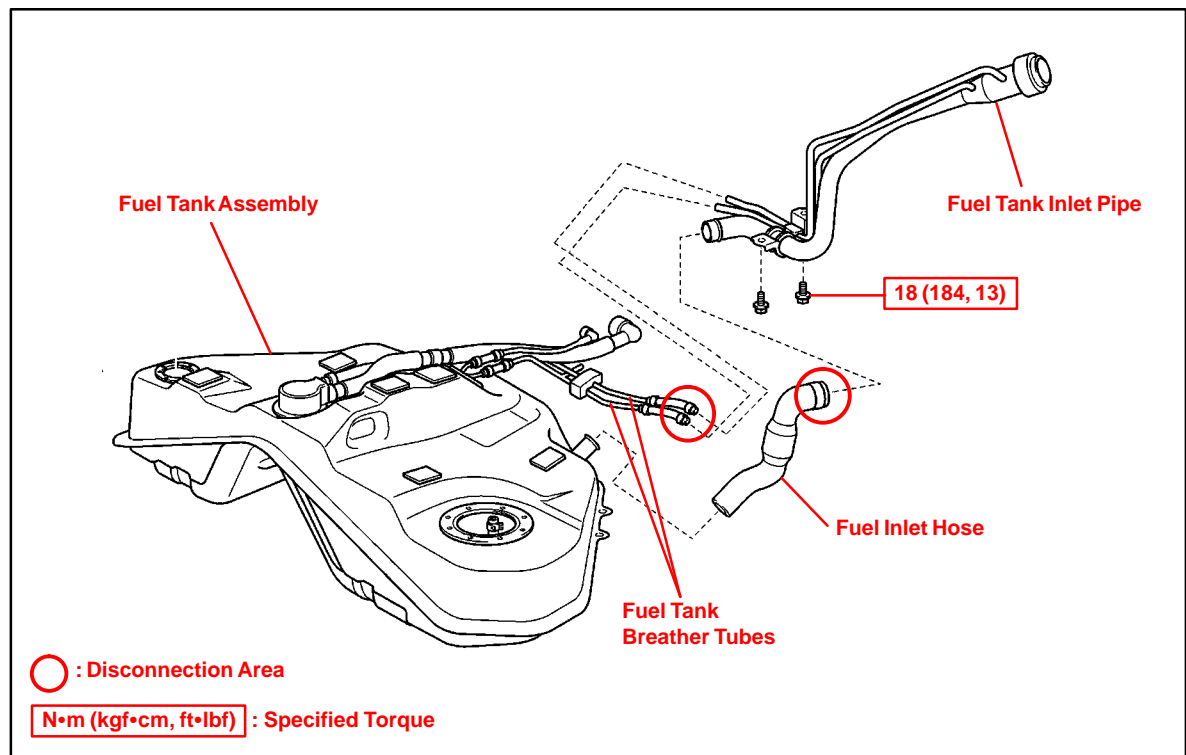


Repair Procedure

1. Add fuel to vehicle to confirm that the fuel tank is difficult to fill.
2. Remove the fuel tank cap from the fuel filler inlet pipe.
3. Remove the fuel filler shield by removing the four (4) Phillips head screws and one (1) 14 mm nut.



4. Remove the left rear wheel.
5. Remove the left rear wheel house liner by removing the nine (9) 10 mm nuts, two (2) hex head screws, one (1) 10 mm Phillips head screw, and one (1) plastic clip.
6. Disconnect the fuel tank inlet pipe sub-assembly from the fuel inlet hose and the fuel tank breather tubes.
7. Remove the fuel tank inlet pipe sub-assembly by removing the bracket with two (2) 12 mm hex head bolts and then the clamp with two (2) 10 mm hex head bolts.



8. Install the NEW fuel tank inlet pipe sub-assembly.
9. Add fuel to the vehicle to confirm that the difficult-to-fill condition is eliminated.
10. Reassemble in the reverse order of disassembly.