

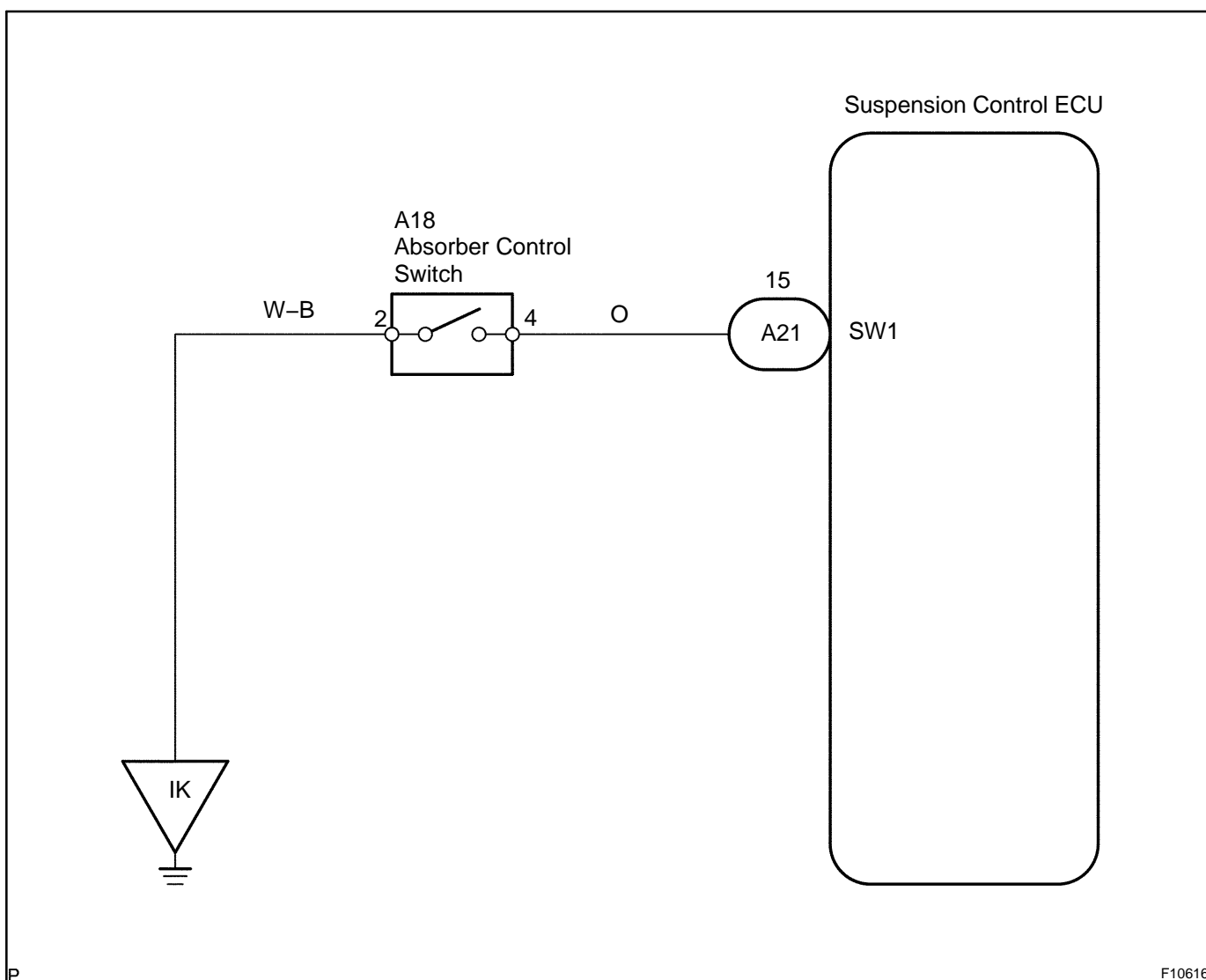
<b>DTC</b>	<b>C1787 / 87</b>	<b>Absorber Control Switch Circuit</b>
------------	-------------------	--

## CIRCUIT DESCRIPTION

The absorber control switch is to select the attenuation modes of the shock absorber. 2 levels of attenuation "SPORT" and "NORM" are available to select.

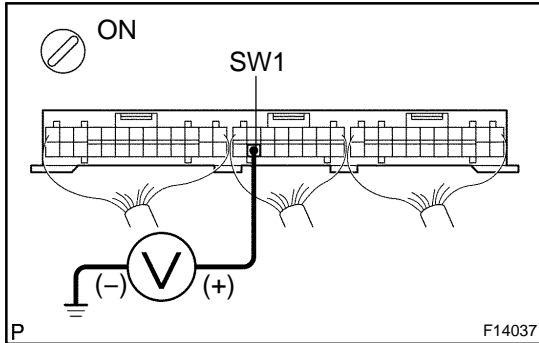
DTC No.	DTC Detecting Condition	Trouble Area
C1787 / 87	Absorber control switch signal does not change	<ul style="list-style-type: none"> <li>• Absorber control switch</li> <li>• Absorber control switch circuit</li> <li>• Suspension control ECU</li> </ul>

## WIRING DIAGRAM



## INSPECTION PROCEDURE

- 1 Check voltage between terminal SW1 of suspension control ECU connector and body ground.**

**PREPARATION:**

Remove the suspension control ECU with the connectors still connected.

**CHECK:**

- Turn the ignition switch ON.
- Measure voltage between terminal SW1 of the suspension control ECU connector and body ground when the absorber control switch is pressed to "NORM" side and "SPORT" side.

**OK:**

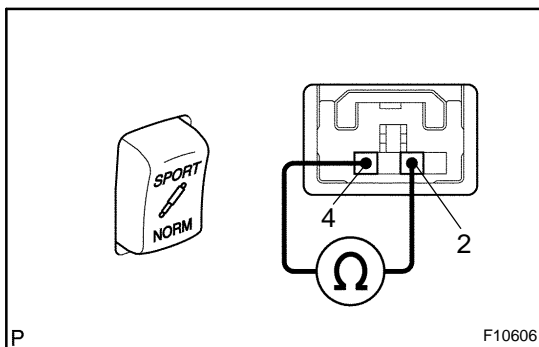
Switch position	Voltage
NORM	10 – 14 V
SPORT	0 – 1.2 V

**OK**

**Proceed to next circuit inspection shown on problem symptoms table (See page DI-316).**

**NG**

- 2 Check absorber control switch.**

**PREPARATION:**

- Remove the absorber control switch.
- Disconnect the absorber control switch connector.

**CHECK:**

Measure resistance between terminals 2 and 4 of the absorber control switch connector when the absorber control switch is in each position.

**OK:**

Switch position	Resistance
NORM	$\infty \Omega$ (Open)
SPORT	0 $\Omega$ (Continuity)

**NG**

**Replace absorber control switch.**

**OK**

**3** Check for open and short circuit in harness and connector between suspension control ECU and switch, switch and body ground (See page [IN-34](#)).

**NG**

Repair or replace harness or connector.

**OK**

Check and replace suspension control ECU.