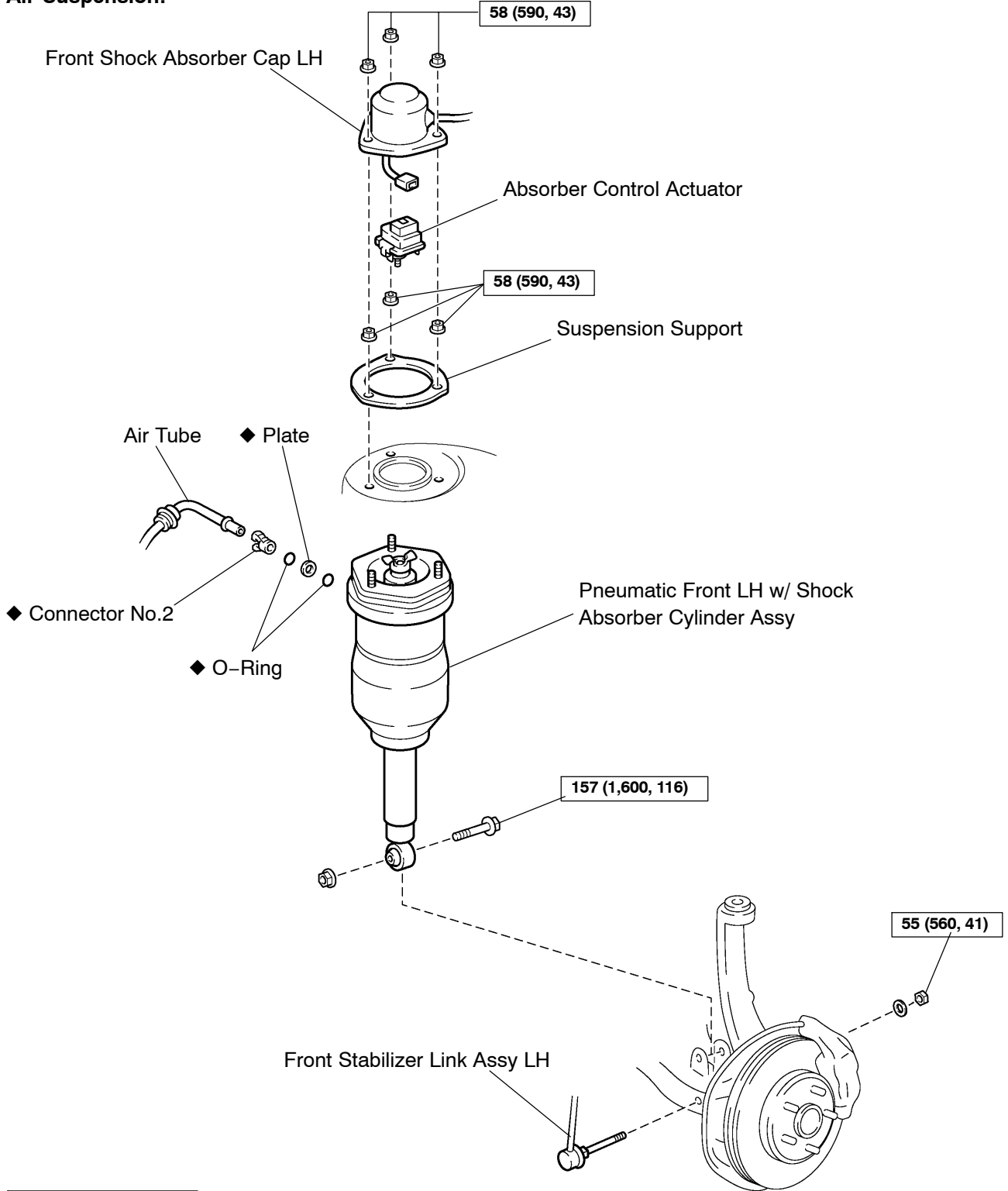


FRONT SUSPENSION COMPONENTS

Air Suspension:

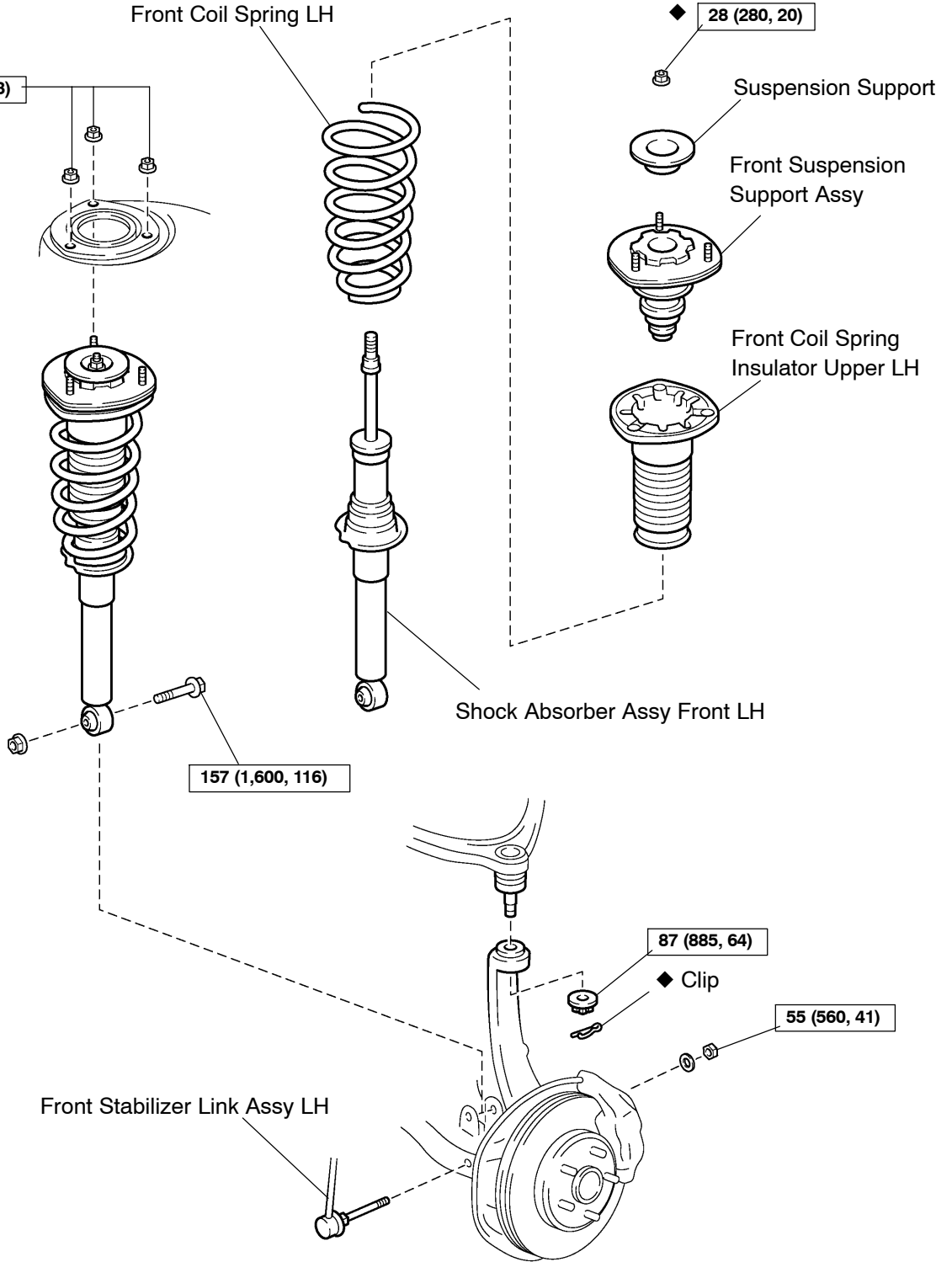


N·m (kgf·cm, ft·lbf) : Specified torque

◆: Non-reusable Part

N

Coil Spring:



N·m (kgf·cm, ft·lbf) : Specified torque

◆: Non-reusable Part

N

REAR SUSPENSION COMPONENTS

270H1-01

