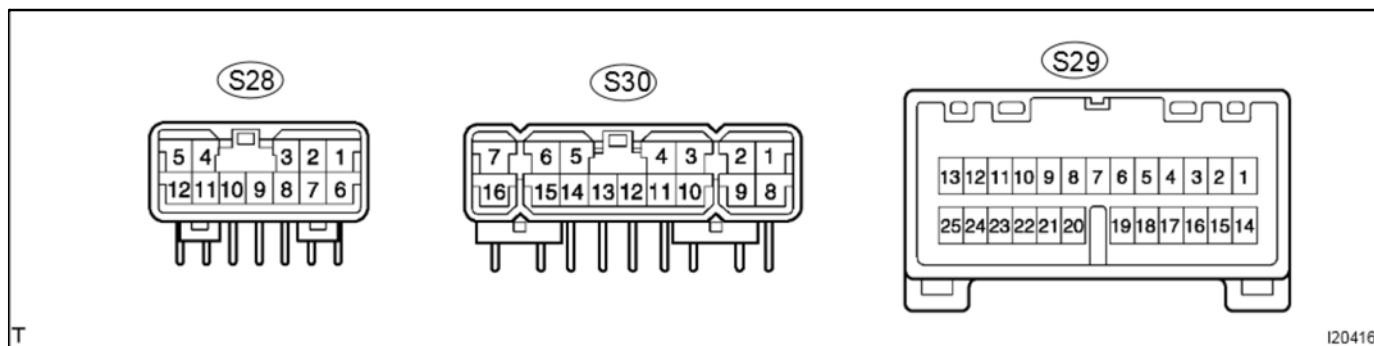


2. STEREO COMPONENT AMPLIFIER



T

I20416

Symbols (Terminals No.)	Wiring Color	Condition	STD Voltage (V)
S28-1 - S30-13 (MR+ - GND)	B - W-B	Audio system is sounding (Radio)	A waveform synchronized with sound is output
S28-2 - S30-13 (ML+ - GND)	R - W-B	Audio system is sounding (Radio)	A waveform synchronized with sound is output
S28-4 - S30-13 (MMUT - GND)	Y - W-B	Radio switch ON	Below 3.5V
S28-6 - S30-13 (MR- - GND)	W - W-B	Audio system is sounding (Radio)	A waveform synchronized with sound is output
S28-7 - S30-13 (ML- - GND)	G - W-B	Audio system is sounding (Radio)	A waveform synchronized with sound is output
S28-9 (RTX-)	LG	See "Service Check Mode"	-
S28-10 (RTX+)	L	See "Service Check Mode"	-
S30-1 - S30-13 (FR+ - GND)	G-W - W-B	Audio system is sounding	A waveform synchronized with sound is output
S30-2 - S30-13 (FL+ - GND)	V - W-B	Audio system is sounding	A waveform synchronized with sound is output
S30-3 - S30-13 (RR+ - GND)	W - W-B	Audio system is sounding	A waveform synchronized with sound is output
S30-4 - S30-13 (RL+ - GND)	B - W-B	Audio system is sounding	A waveform synchronized with sound is output
S30-5 - S30-13 (WFR+ - GND)	Y - W-B	Audio system is sounding	A waveform synchronized with sound is output
S30-6 - S30-13 (WFL+ - GND)	LG - W-B	Audio system is sounding	A waveform synchronized with sound is output
S30-7 - S30-13 (+B - GND)	L-R - W-B	Constant	10 - 14V
S30-8 - S30-13 (FR- - GND)	L - W-B	Audio system is sounding	A waveform synchronized with sound is output

S30-9 - S30-13 (FL- - GND)	P (*1) - W-B	Audio system is sounding	A waveform synchronized with sound is output
S30-10 - S30-13 (RR - - GND)	R - W-B	Audio system is sounding	A waveform synchronized with sound is output
S30-11 - S30-13 (RL- - GND)	Y - W-B	Audio system is sounding	A waveform synchronized with sound is output
S30-12 - Body ground (E - Body ground)	W-B - Body ground	Constant	Below 1 V
S30-13 - Body ground (GND - Body ground)	W-B - Body ground	Constant	Below 1 V
S30-14 - S30-13 (WFR- - GND)	B - W-B	Audio system is sounding	A waveform synchronized with sound is output
S30-15 - S30-13 (WFL - - GND)	L - W-B	Audio system is sounding	A waveform synchronized with sound is output
S30-16 - S30-13 (+B2 - GND)	L-R - W-B	Constant	10 - 14 V
S30-1 - S30-13 (FR+ - GND)	LG - W-B	Audio system is sounding	A waveform synchronized with sound is output
S30-2 - S30-13 (FL+ - GND)	V - W-B	Audio system is sounding	A waveform synchronized with sound is output
S30-3 - S30-13 (TMUT - GND)	LG-R - W-B	Cellular mobile telephone is being used	Below 3.5 V
S29-4 (TX+)	L (*1)	See "Service Check Mode"	-
S29-5 (MTX+)	G (*2)	See "Service Check Mode"	-
S29-9 - S30-13 (N-MU - GND)	G-R (*1) - W-B	Navigation voice sounding	Below 3.5 V
S29-11 - S30-13 (R+ - GND)	B - W-B	CD player or cassette player is sounding	A waveform synchronized with sound is output
S29-12 - S30-13 (L+ - GND)	R - W-B	CD player or cassette player is sounding	A waveform synchronized with sound is output
S29-13 - S30-13 (SPD - GND)	V-W - W-B	See "Vehicle Signal Check Mode"	-
S29-14 - S30-13 (FR- - GND)	BR - W-B	Audio system is sounding	A waveform synchronized with sound is output
S29-15 - S30-13 (FL- - GND)	P - W-B	Audio system is sounding	A waveform synchronized with sound is output
S29-17 (TX-)	LG (*1)	See "Service Check Mode"	-
S29-18 (MTX-)	R (*2)	See "Service Check Mode"	-
S29-20 - S30-13 (ACC - GND)	GR - W-B	Ignition switch OFF	Below 1 V
		Ignition switch ACC or ON	10 - 14 V

DIAGNOSTICS - AUDIO SYSTEM

S29-21 - S30-13 (MUTE - GND)	Y - W-B	Switching CD player ↔ Cassette player	Below 3.5 V
S29-23 - S30-13 (R- - GND)	W - W-B	CD player or cassette player is sounding	A waveform synchronized with sound is output
S29-24 - S30-13 (L- - GND)	G - W-B	CD player or cassette player is sounding	A waveform synchronized with sound is output
S29-25 - S30-13 (SPDO - GND)	Y-R (*1) - W-B	See "Vehicle Signal Check Mode"	-

Terminal No. (Symbols)	Problem system when open circuit is detected.	Problem symptom when short circuit is detected.
S28-1 - S30-13 (MR+ - GND)	Sound from right side speaker is small.	Sound from right side speaker is small.
S28-2 - S30-13 (ML+ - GND)	Sound from left side speaker is small.	Sound from left side speaker is small.
S28-4 - S30-13 (MMUT - GND)	Pop sound etc.	Speaker does not sound.
S28-6 - S30-13 (MR- - GND)	Sound from right side speaker is small.	Sound from right side speaker is small.
S28-7 - S30-13 (ML- - GND)	Sound from left side speaker is small.	Sound from left side speaker is small.
S28-9 (RTX-)	Navigation system does not operate.	Navigation system does not operate.
S28-10 (RTX+)	Navigation system does not operate.	Navigation system does not operate.
S29-1 - S30-13 (FR+ - GND)	Front right side speaker does not sound.	*5: Front right side speaker does not sound. *6: All speakers does not sound.
S29-2 - S30-13 (FL+ - GND)	Front left side speaker does not sound.	*5: Front left side speaker does not sound. *6: All speakers does not sound.
S30-3 - S30-13 (RR+ - GND)	Rear right side speaker does not sound.	*5: Rear right side speaker does not sound. *6: All speakers does not sound.
S30-4 - S30-13 (RL+ - GND)	Rear left side speaker does not sound.	*5: Rear left side speaker does not sound. *6: All speakers does not sound.
S30-5 - S30-13 (WFR+ - GND)	*5: Woofer does not sound. *6: Sound from woofer is small.	*5, *6: Woofer does not sound.
S30-6 - S30-13 (WFL+ - GND)	*5: Woofer does not sound. *6: Sound from woofer is small.	*5, *6: Woofer does not sound.
S30-7 - S30-13 (+B - GND)	If terminal 16 is disconnected, system does not function.	Fuse is blown.
S30-8 - S30-13 (FR- - GND)	Front right side speaker does not sound.	*5: Audio system is normal. *6: All speakers does not sound.
S29-15 - S30-13 (FL- - GND)	Front left side speaker does not sound.	*5: Front left side speaker is normal. *6: All speakers does not sound.
S30-10 - S30-13 (RR- - GND)	Rear right side speaker does not sound.	*5: Rear right side speaker is normal. *6: All speakers does not sound.
S30-11 - S30-13 (RL- - GND)	Rear left side speaker does not sound.	*5: Rear left side speaker is normal. *6: All speakers does not sound.
S30-13 - Body ground (GND - Body ground)	If terminal 13 is disconnected, system does not function.	Audio system is normal.
S30-13 - Body ground (GND - Body ground)	If terminal 12 is disconnected, system does not function.	Audio system is normal.

S29-14 - S30-13 (WFR- - GND)	*5: - *6: Sound from woofer is small.	*5: - *6: All speakers does not sound.
S29-15 - S30-13 (WFL- - GND)	*5: - *6: Sound from woofer is small.	*5: - *6: All speakers does not sound.
S29-16 - S30-13 (+B2 - GND)	If terminal 7 is disconnected, system does not function.	Fuse is blown.
S30-1 - S30-13 (FR+ - GND)	Right side tweeter speaker does not sound.	*5: Right side tweeter speaker does not sound. *6: All speakers does not sound.
S29-2 - S30-13 (FL+ - GND)	Left side tweeter speaker does not sound.	*5: Left side tweeter speaker does not sound. *6: All speakers does not sound.
S29-3 - S30-13 (TMUT - GND)	Mute cannot be activated during telephone call.	All speakers does not sound.
S29-4 (TX+)	Navigation system does not operate.	System does not operate.
S29-5 (MTX+)	Audio rear A/C control switch does not operate.	System does not operate.
S29-9 - S30-13 (N-MU - GND)	Pop sound etc.	Front right speaker does not sound.
S29-11 - S30-13 (R+ - GND)	Sound from right side speaker is small.	Sound from right side speaker is small.
S29-12 - S30-13 (L+ - GND)	Sound from left side speaker is small.	Sound from left side speaker is small.
S29-13 - S30-13 (SPD - GND)	Navigation operation is available during, or a cursor on present site does not move. (ASL does not operate)	Navigation operation is available during, or a cursor on present site does not move. (ASL does not operate)
S30-14 - S30-13 (FR- - GND)	Right side tweeter speaker does not sound.	*5: Audio system is normal. *6: All speakers do not sound.
S30-15 - S30-13 (FL- - GND)	Left side tweeter speaker does not sound.	*5: Audio system is normal. *6: All speakers do not sound.
S29-17 (TX-)	Navigation system does not operate.	System does not operate.
S29-18 (MTX-)	Does not operate.	System does not operate.
S29-20 - S30-13 (ACC - GND)	Audio & rear A/C control switch does not sound.	Fuse is blown.
S29-21 - S30-13 (MUTE - GND)	Pop sound etc.	Audio system does not sound.
S29-23 - S30-13 (R- - GND)	Sound from right side speaker is small.	Sound from right side speaker is small.
S29-24 - S30-13 (L- - GND)	Sound from left side speaker is small.	Sound from left side speaker is small.
S29-25 - S30-13 (SPDO - GND)	Navigation operation is available during, or a cursor on present site does not move. (ASL does not operate)	Navigation operation is available during, or a cursor on present site does not move. (ASL does not operate)

*1: w/ LEXUS Navigation System

*2: w/ Rear Audio Controller