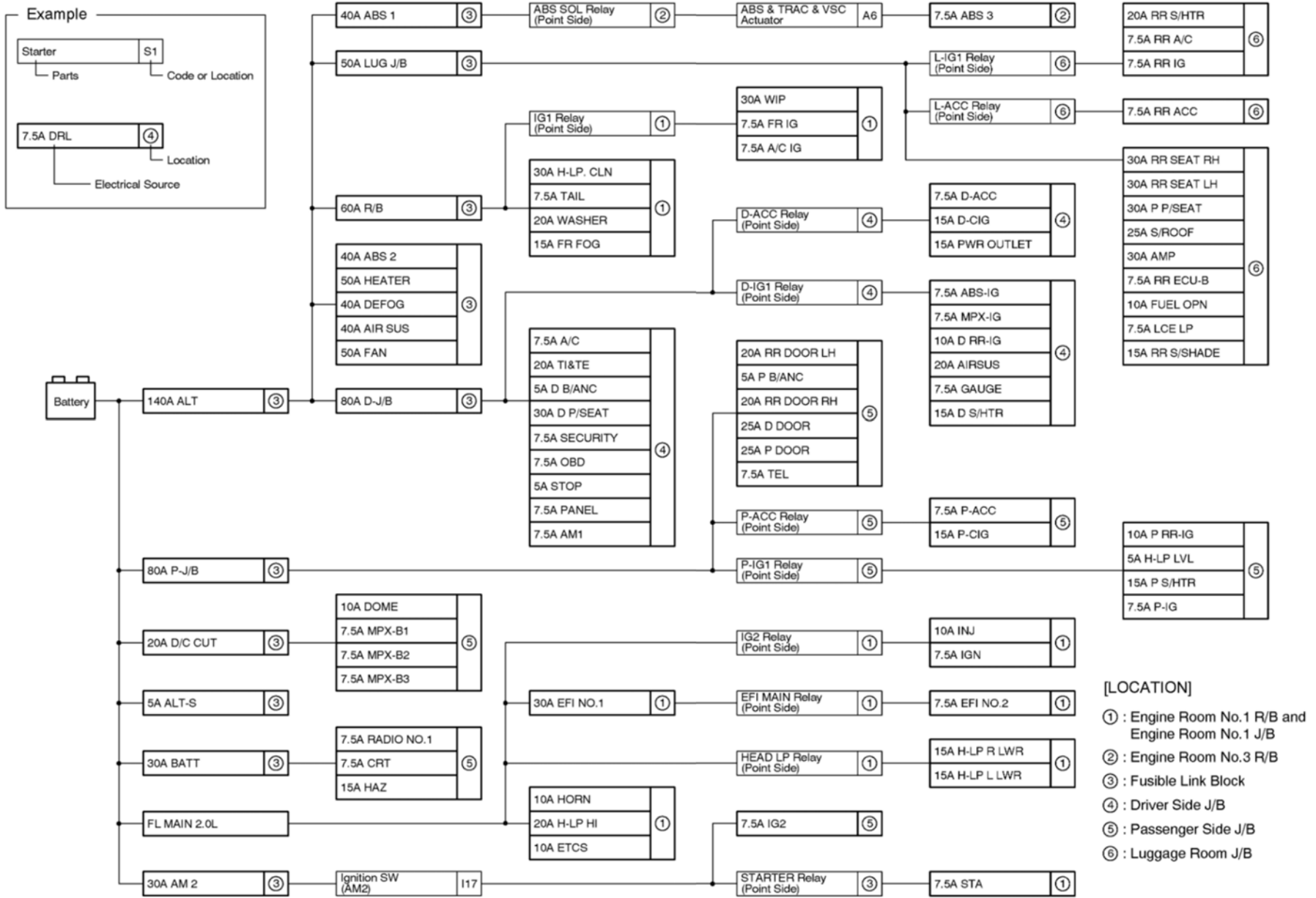


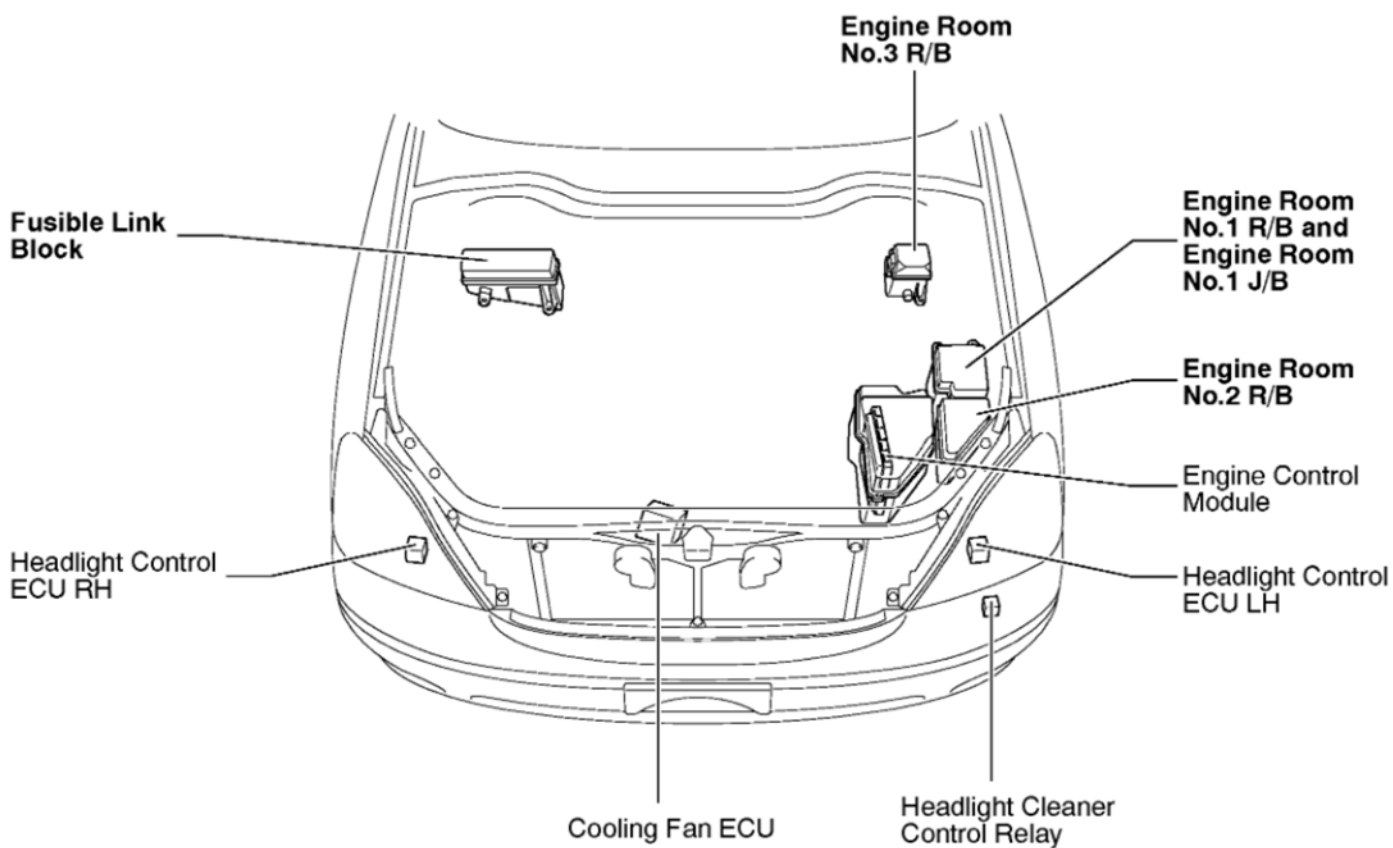
POWER SOURCE (Current Flow Chart)

The chart below shows the route by which current flows from the battery to each electrical source (Fusible Link, Circuit Breaker, Fuse, etc.) and other Parts.

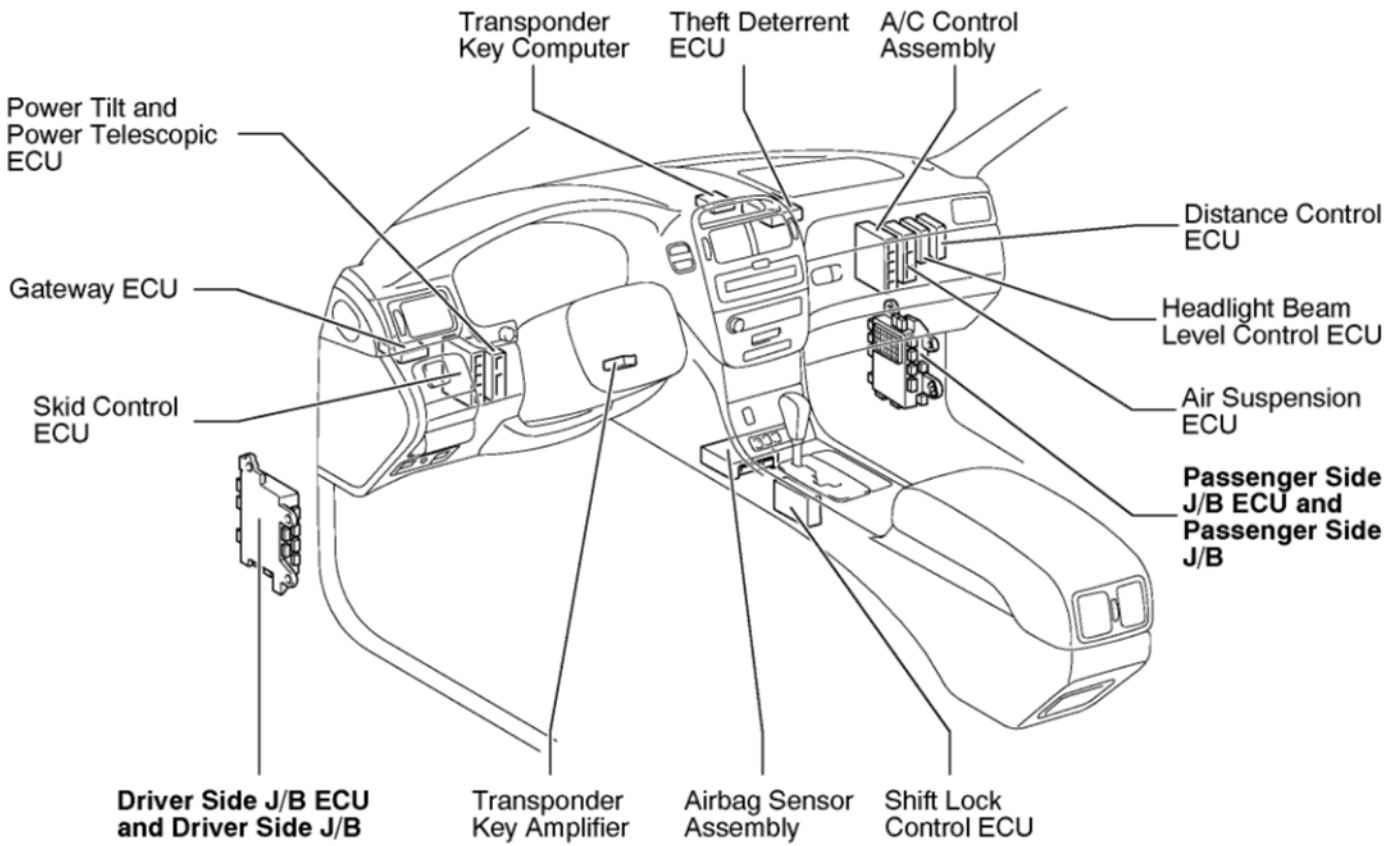


F RELAY LOCATIONS

[Engine Compartment]

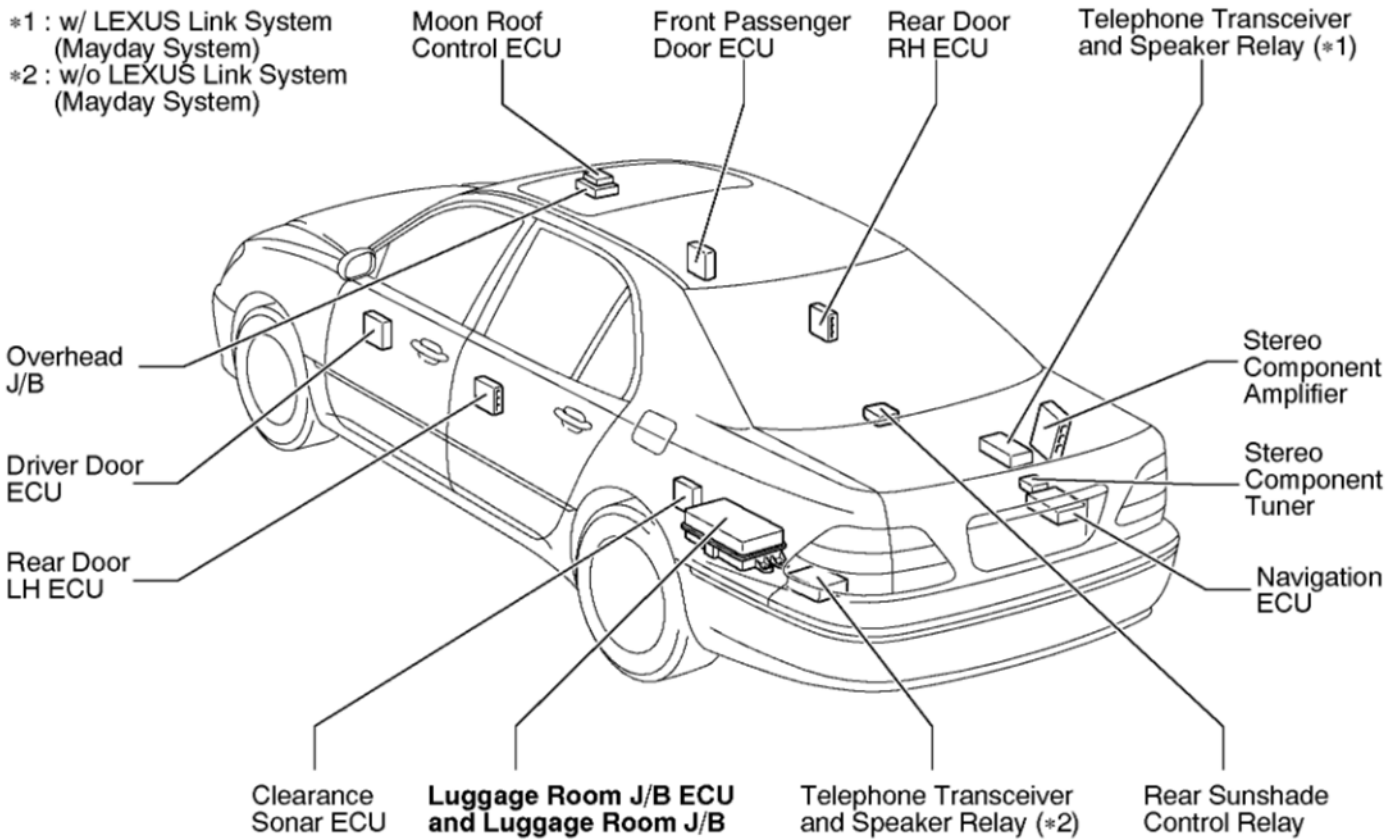


[Instrument Panel]

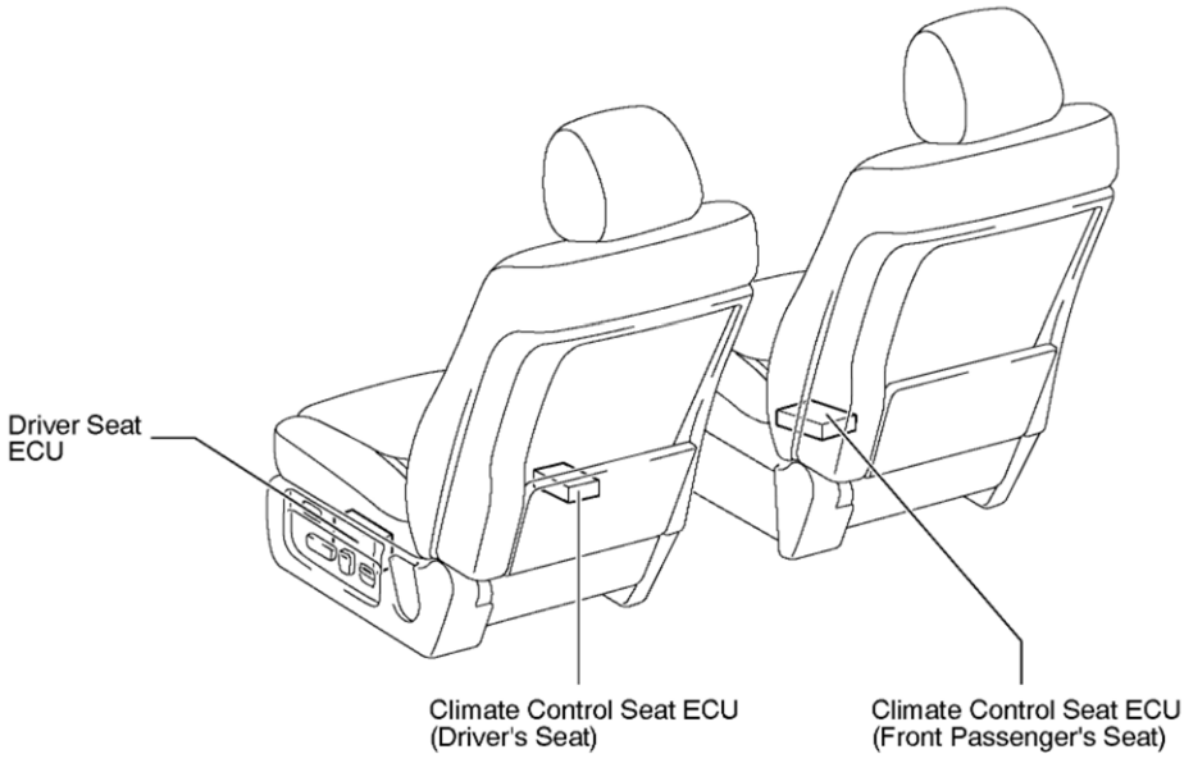


F RELAY LOCATIONS

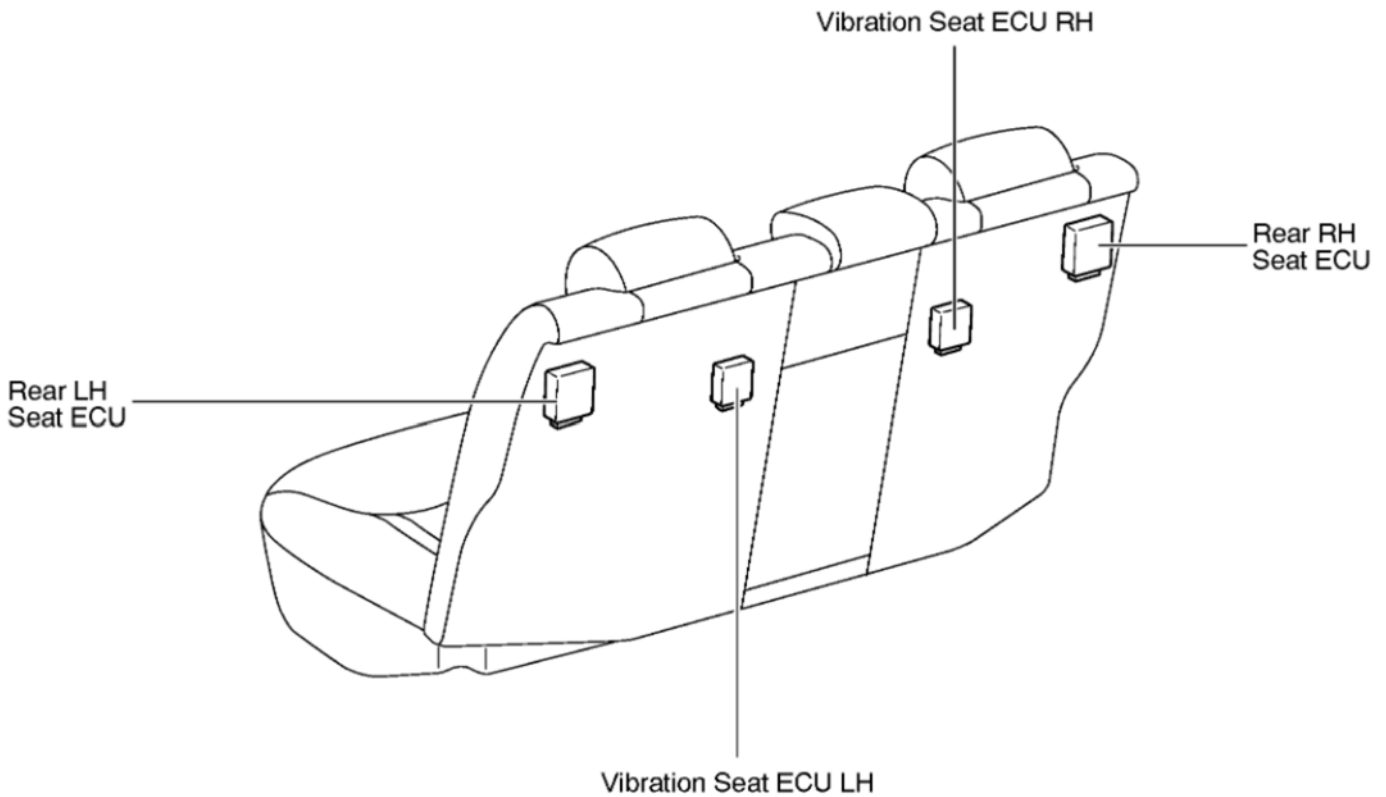
[Body]



[Front Seat]



[Rear Seat]



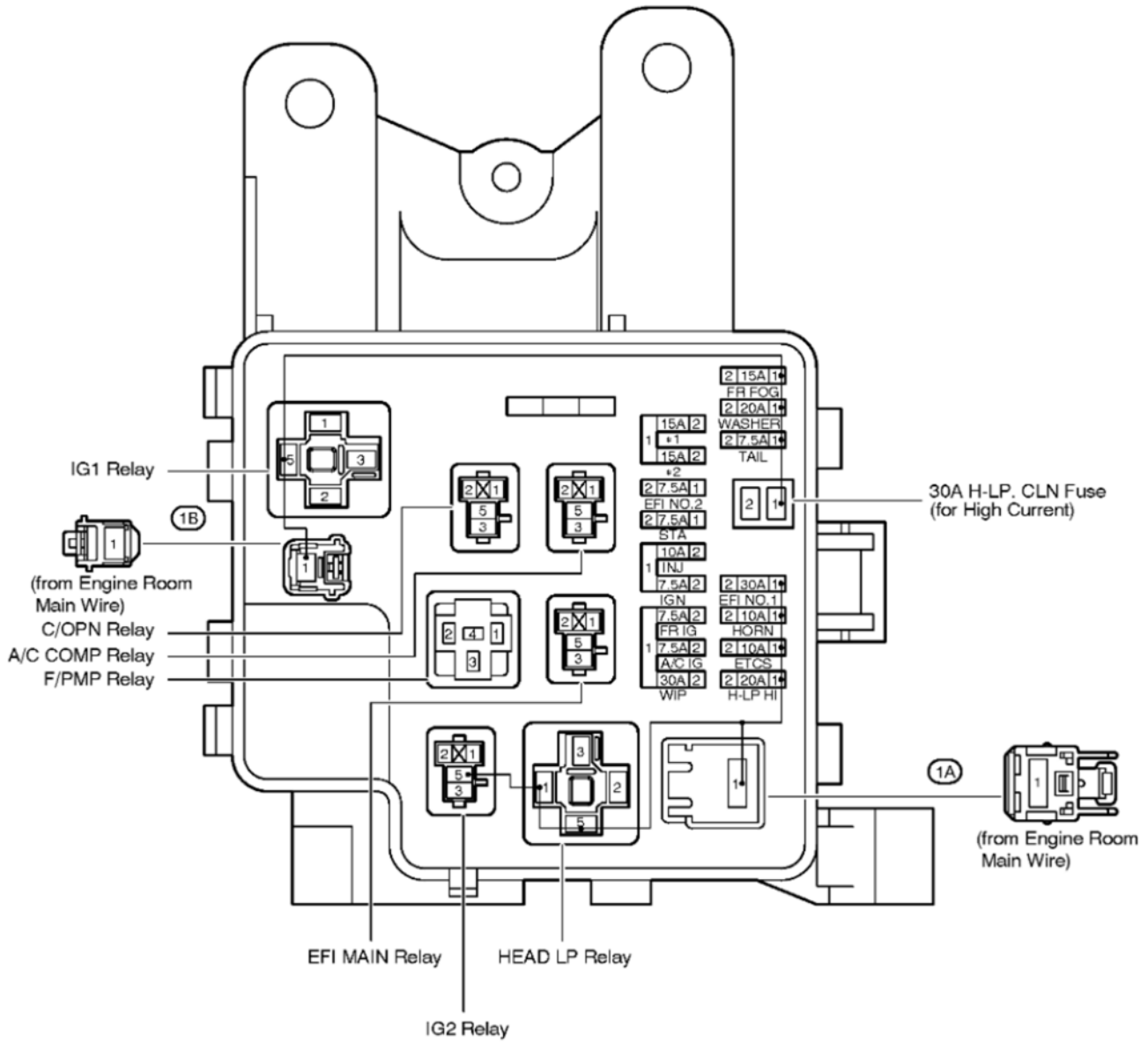
F RELAY LOCATIONS

① : Engine Room No.1 R/B

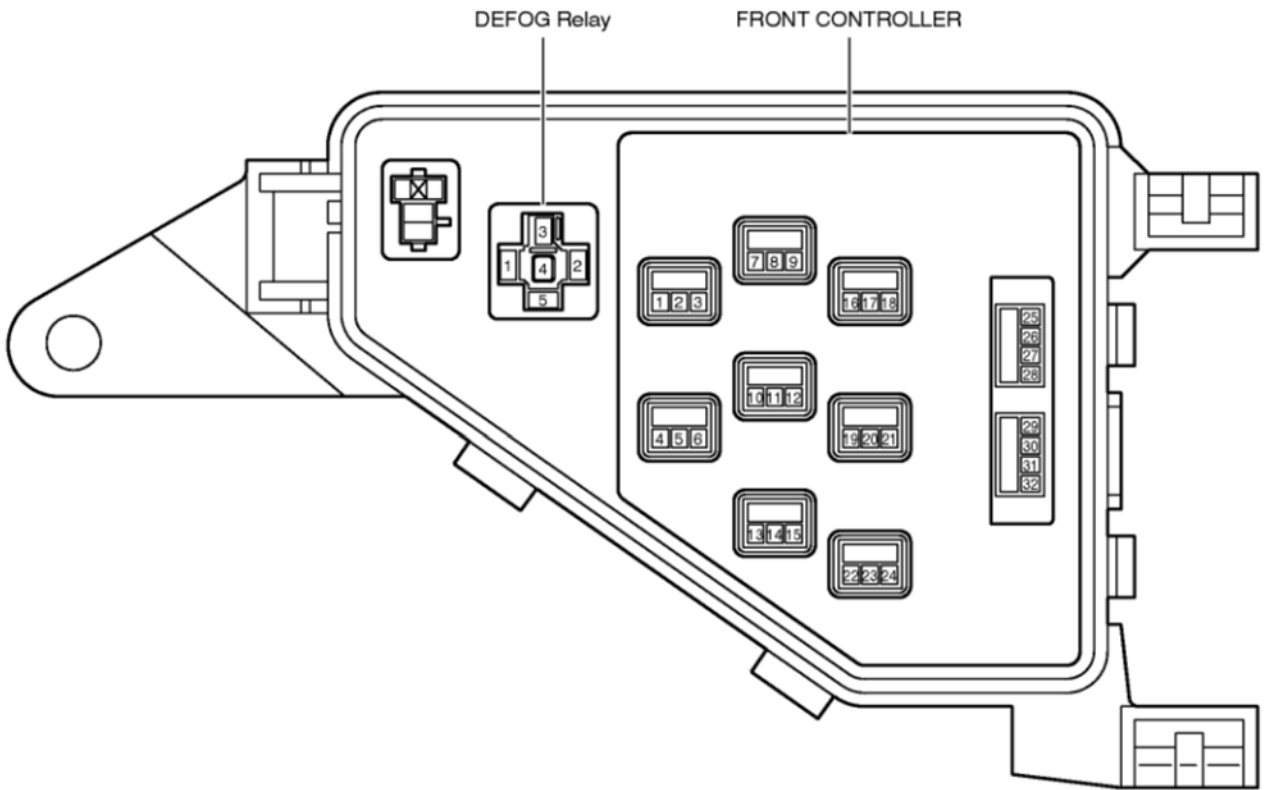
○ : Engine Room No.1 J/B

Engine Compartment Left (See Page 20)

*1 : H-LP R LWR
*2 : H-LP L LWR

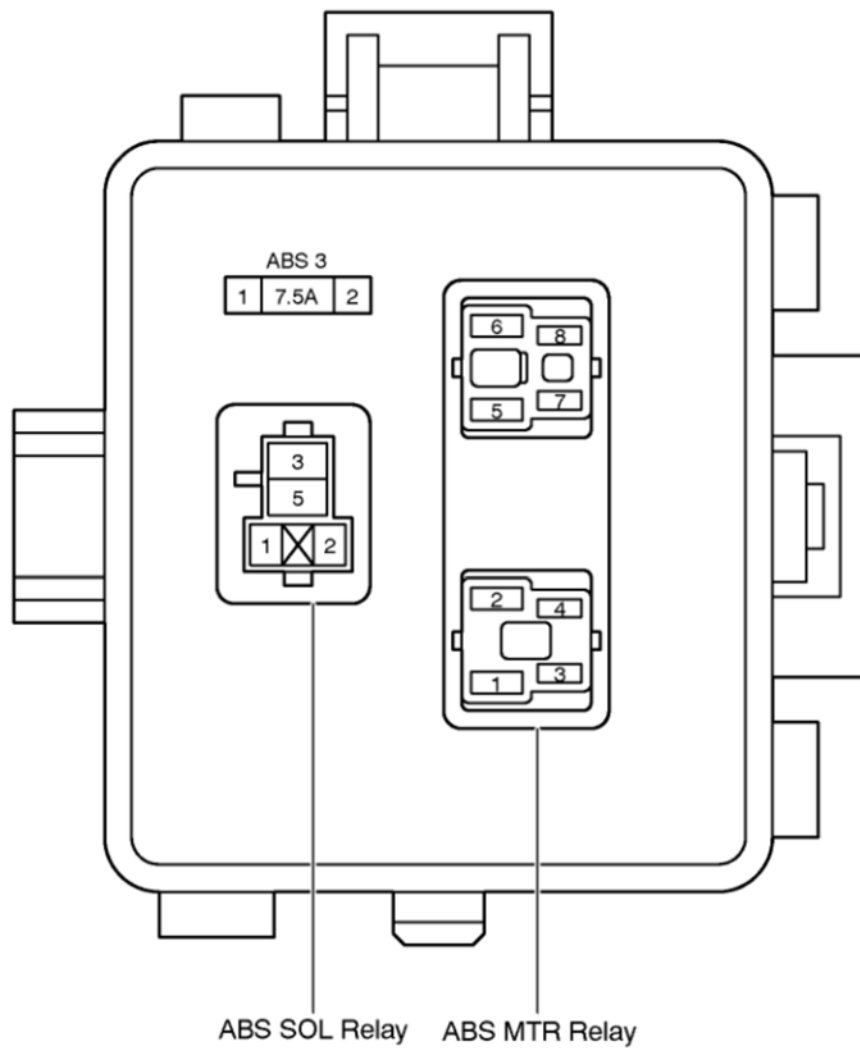


② : Engine Room No.2 R/B Engine Compartment Left (See Page 20)

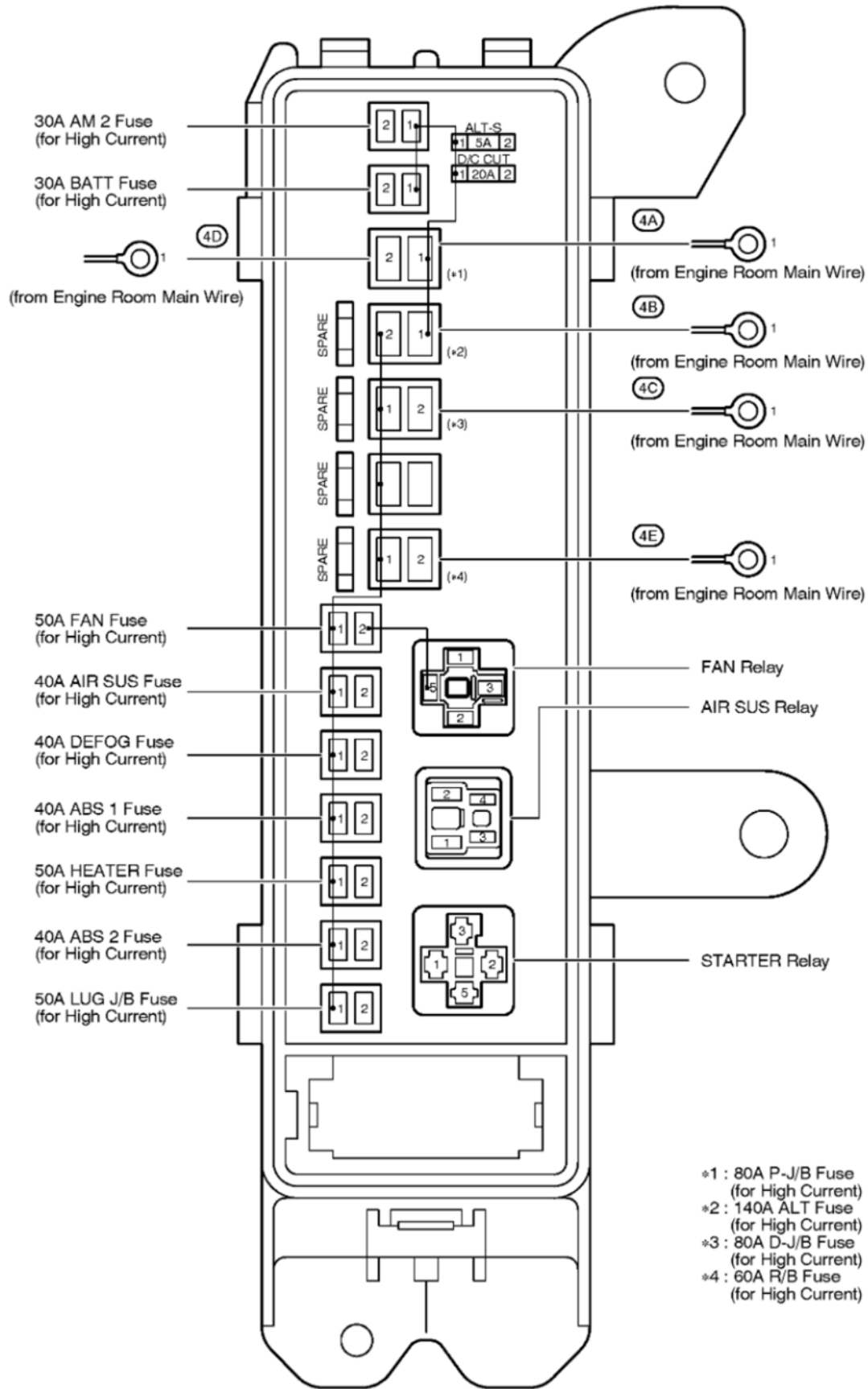


F RELAY LOCATIONS

③ : Engine Room No.3 R/B [Engine Compartment Left \(See Page 20\)](#)



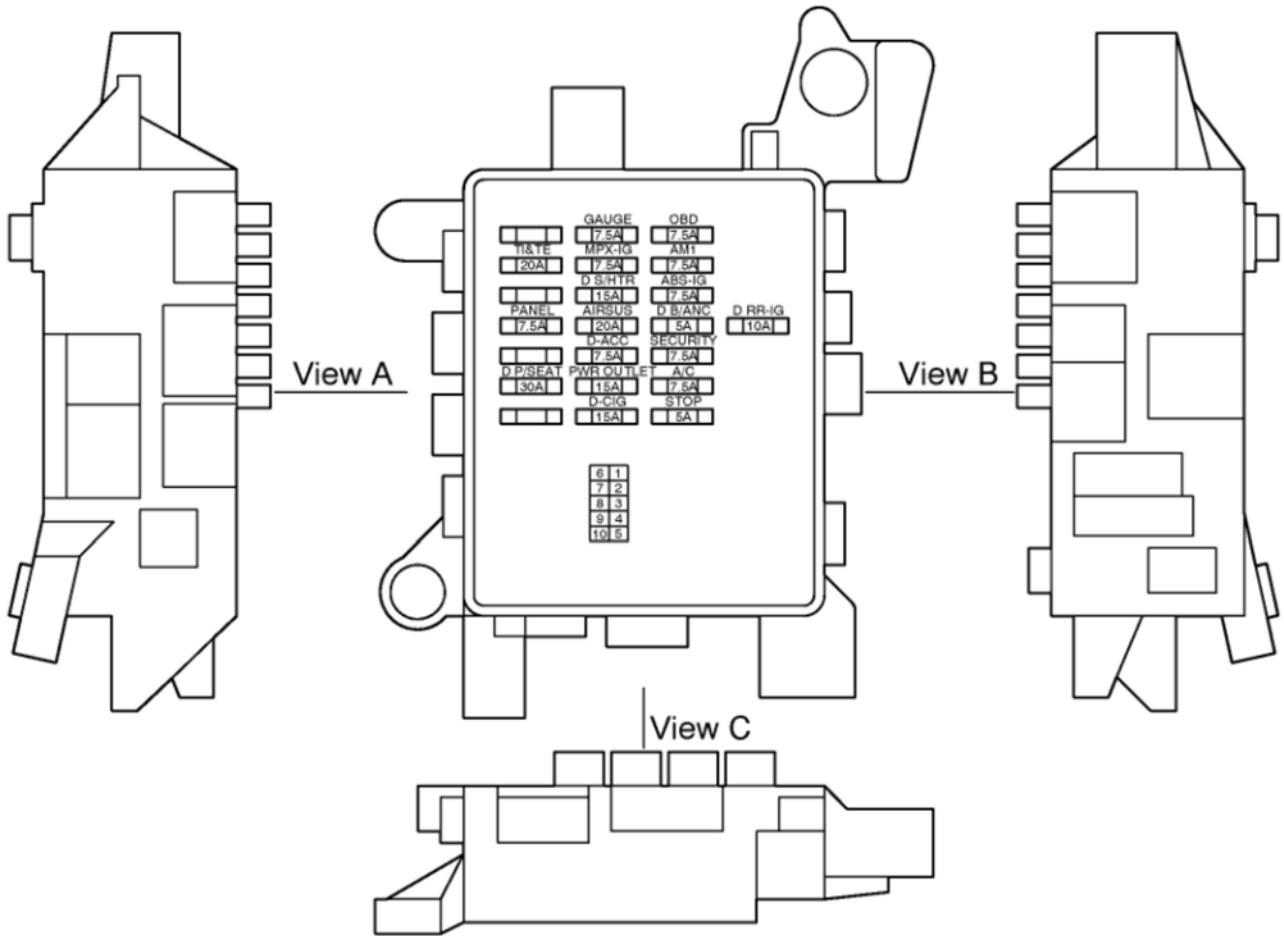
④ : Fusible Link Block **Engine Compartment Right (See Page 20)**



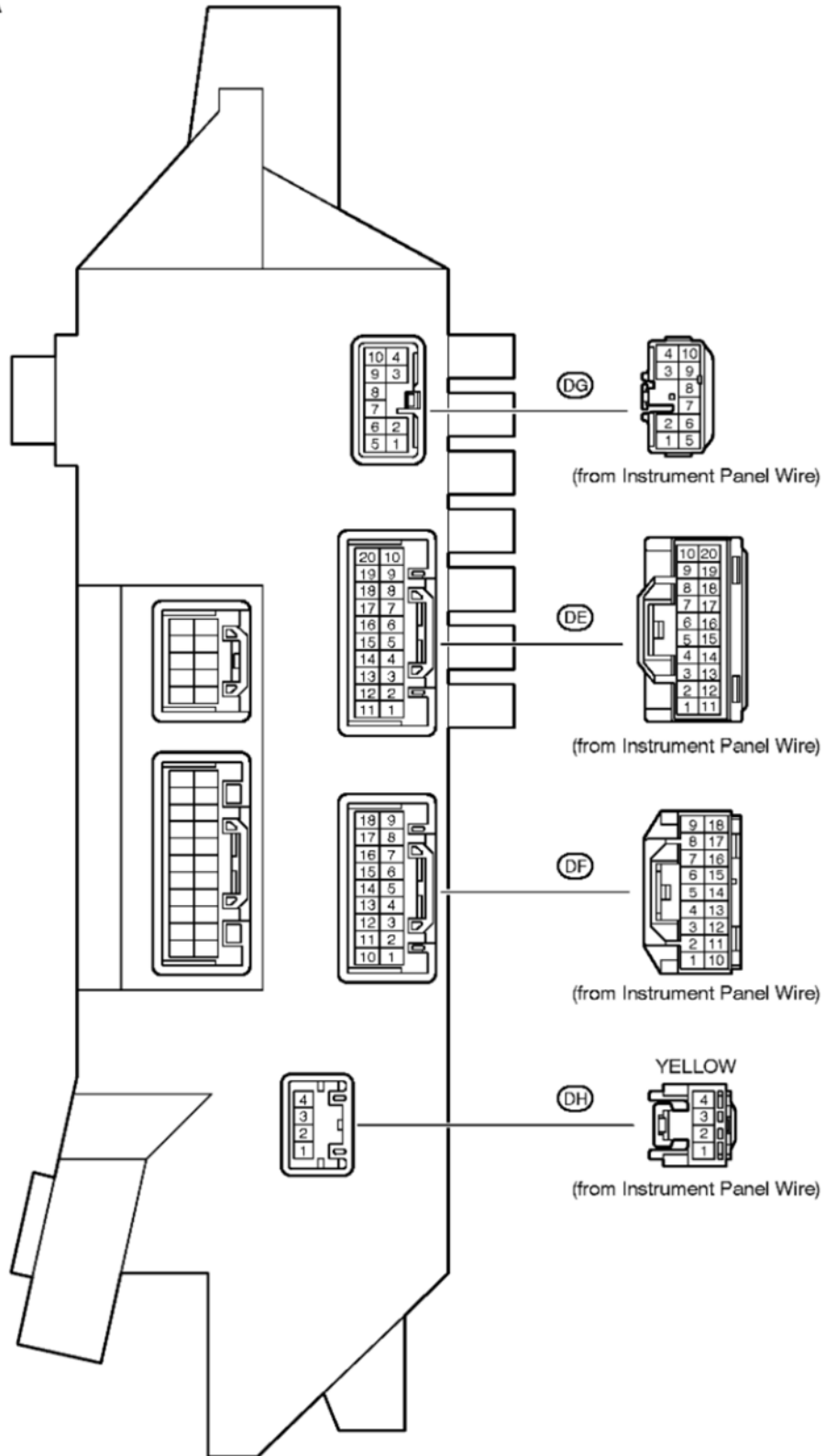
F RELAY LOCATIONS

○ : Driver Side J/B **Left Kick Panel (See Page 21)**

(Inner Circuit : See Page 32)

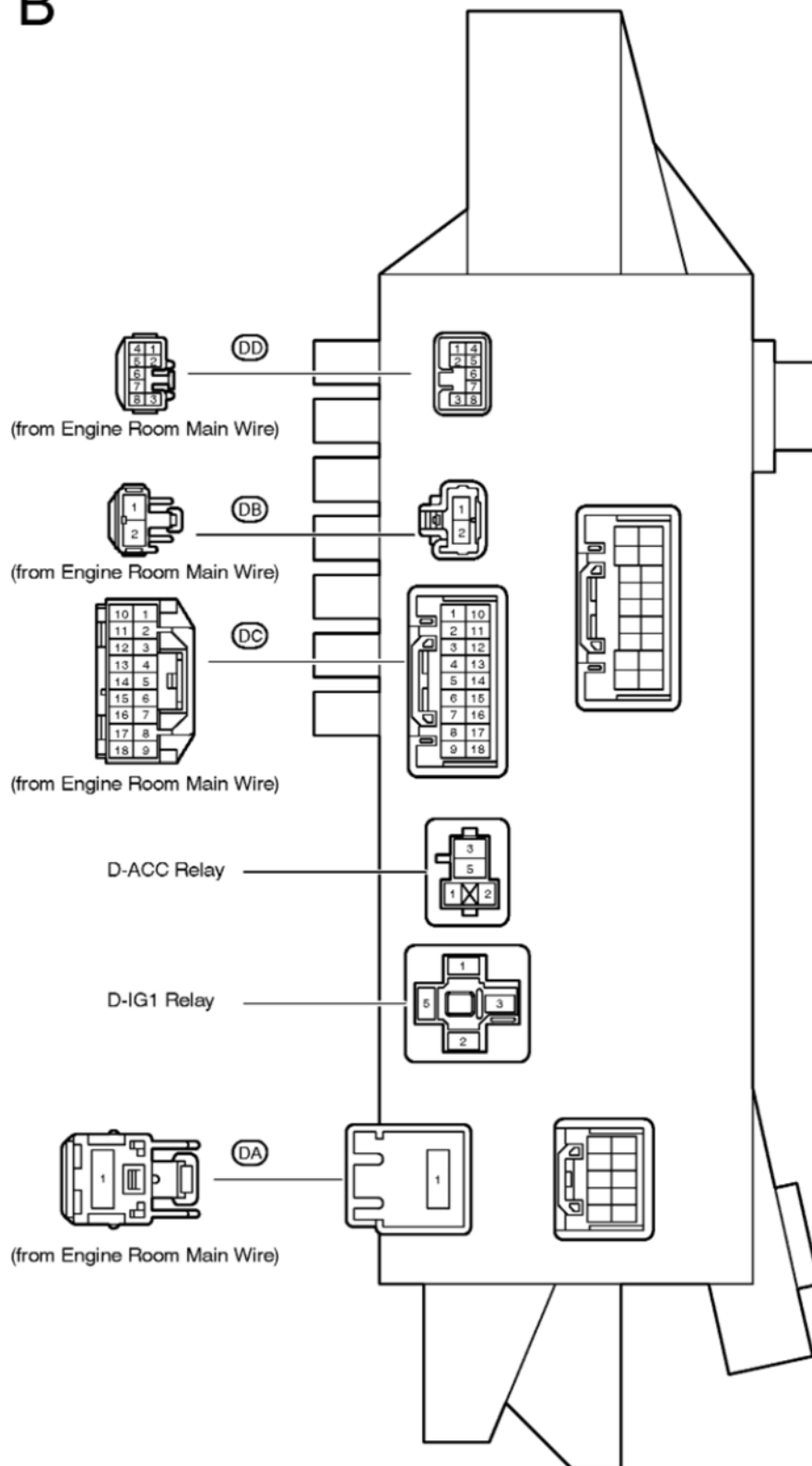


View A

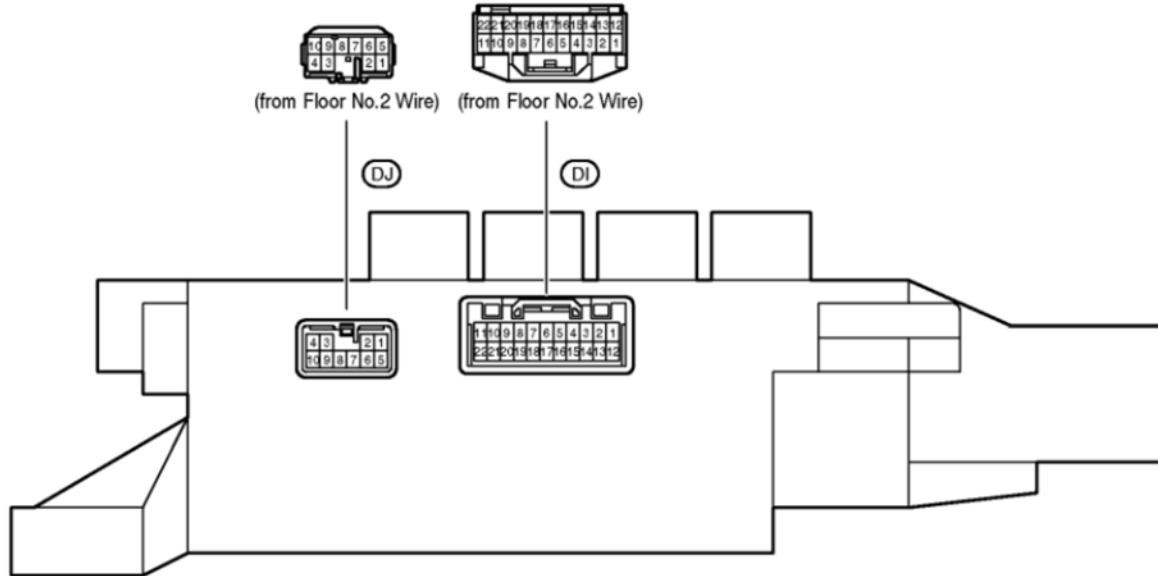


F RELAY LOCATIONS

View B

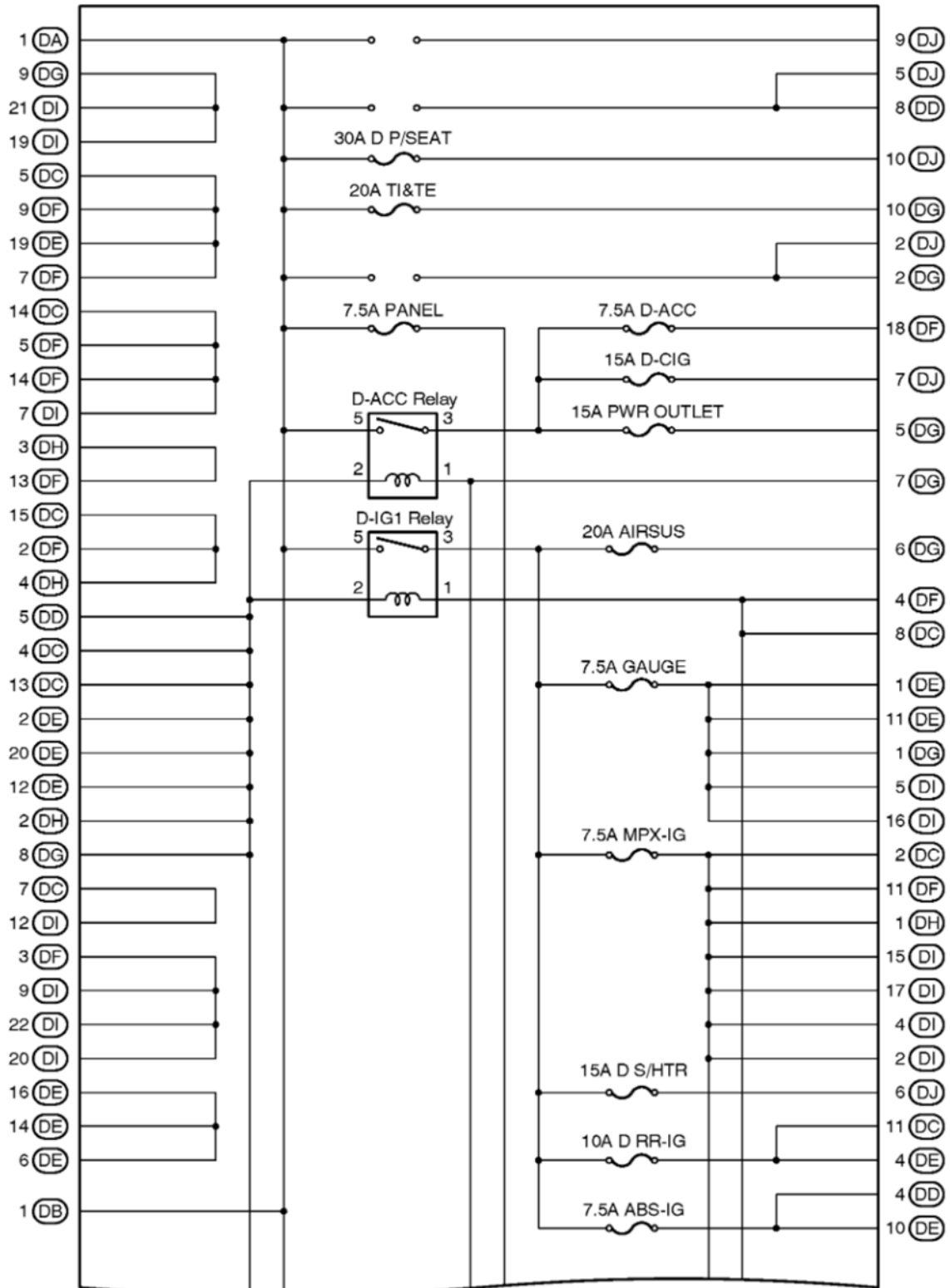


View C



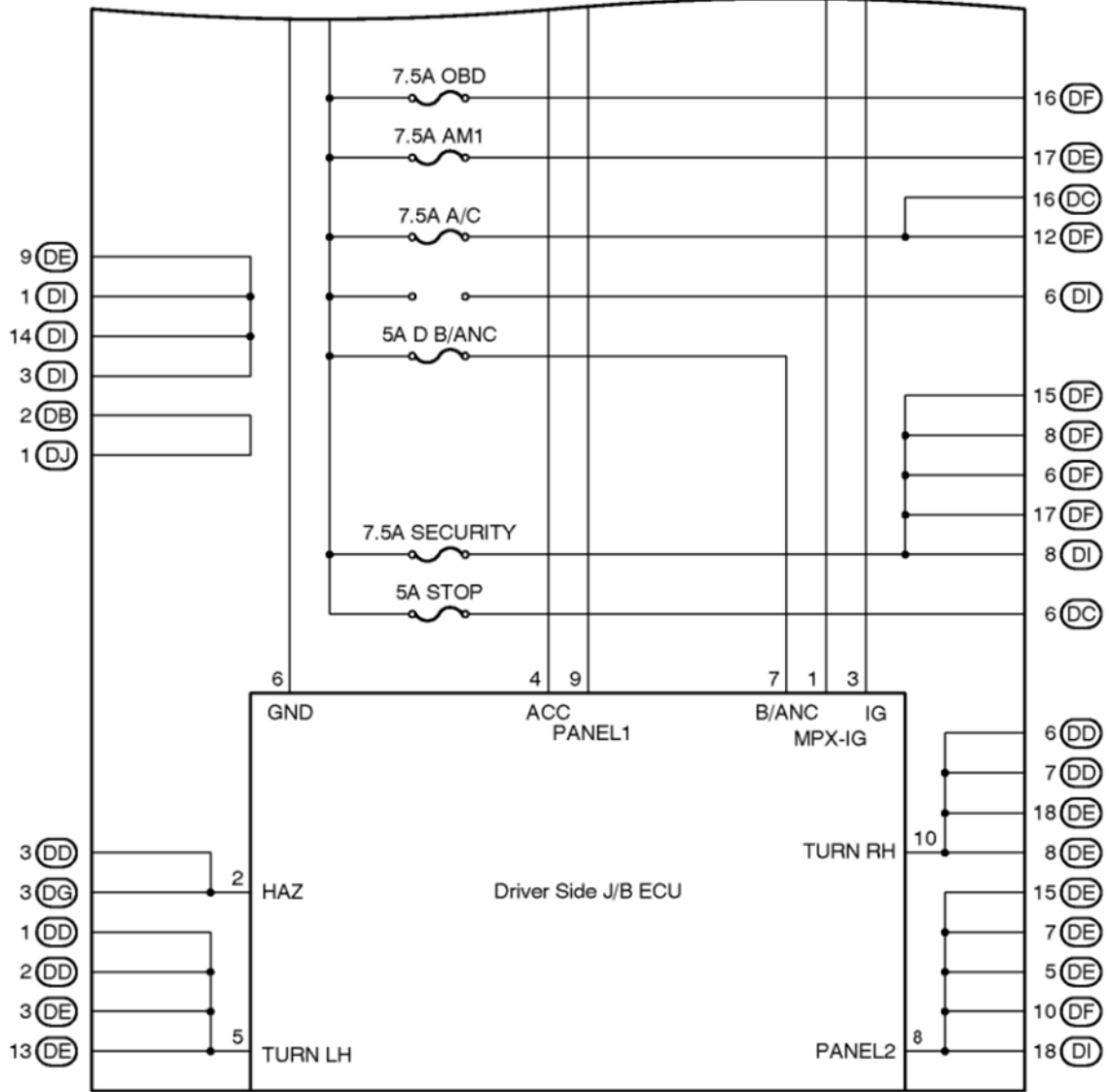
F RELAY LOCATIONS

[Driver Side J/B Inner Circuit]



(Cont. Next Page)

(Cont'd)

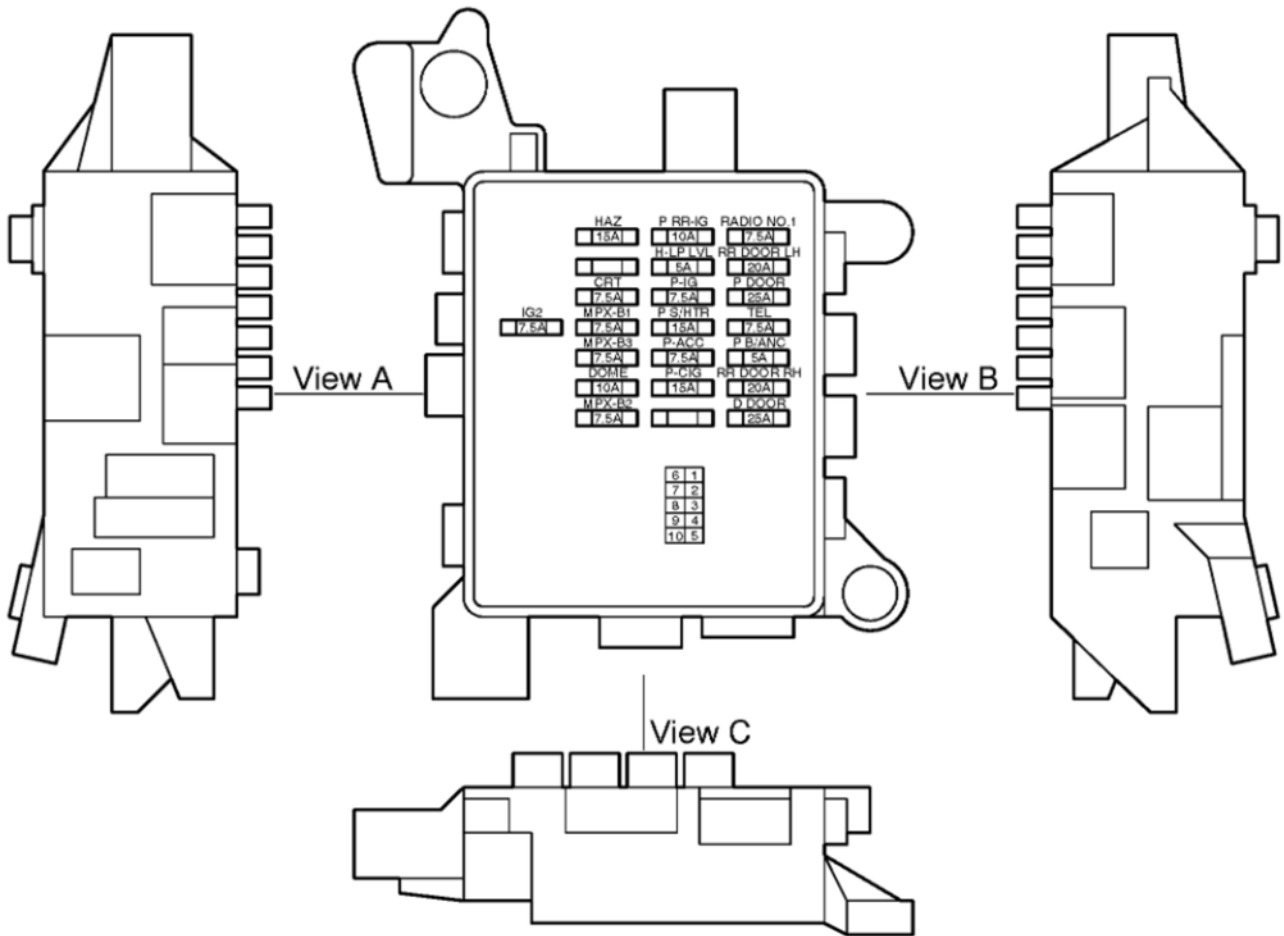


F RELAY LOCATIONS

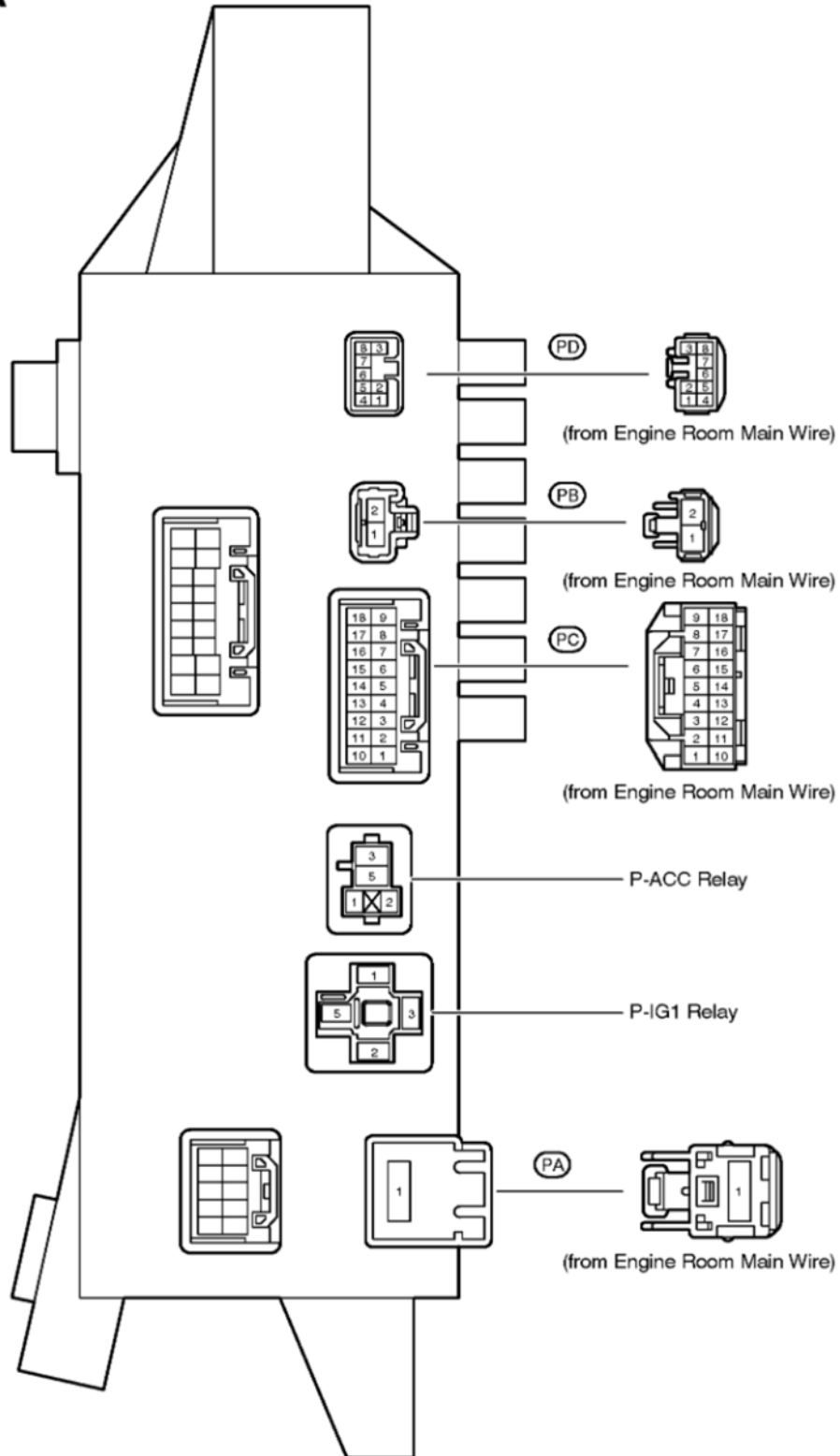
○ : Passenger Side J/B

Right Kick Panel (See Page 21)

(Inner Circuit : See Page 38)

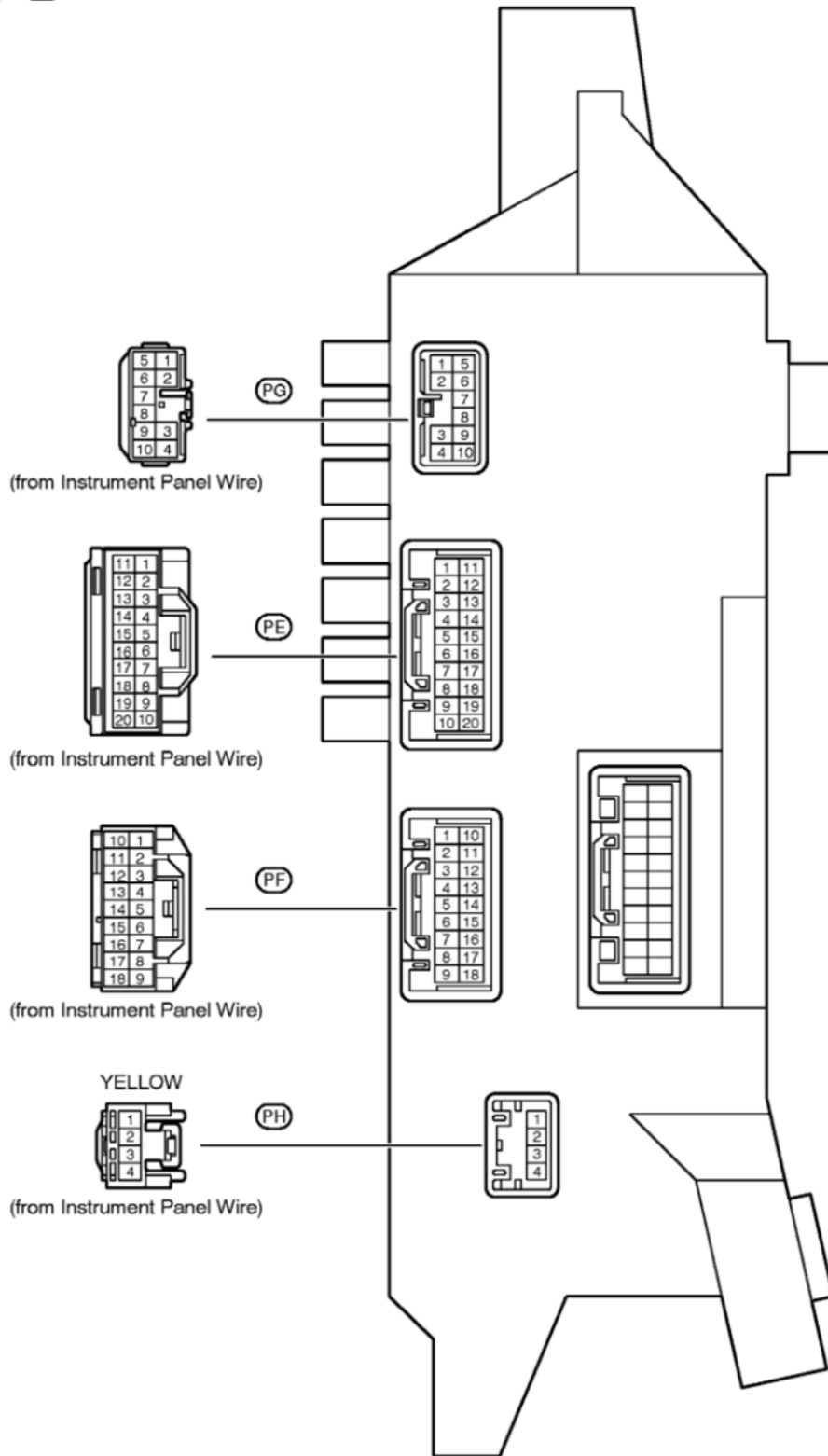


View A

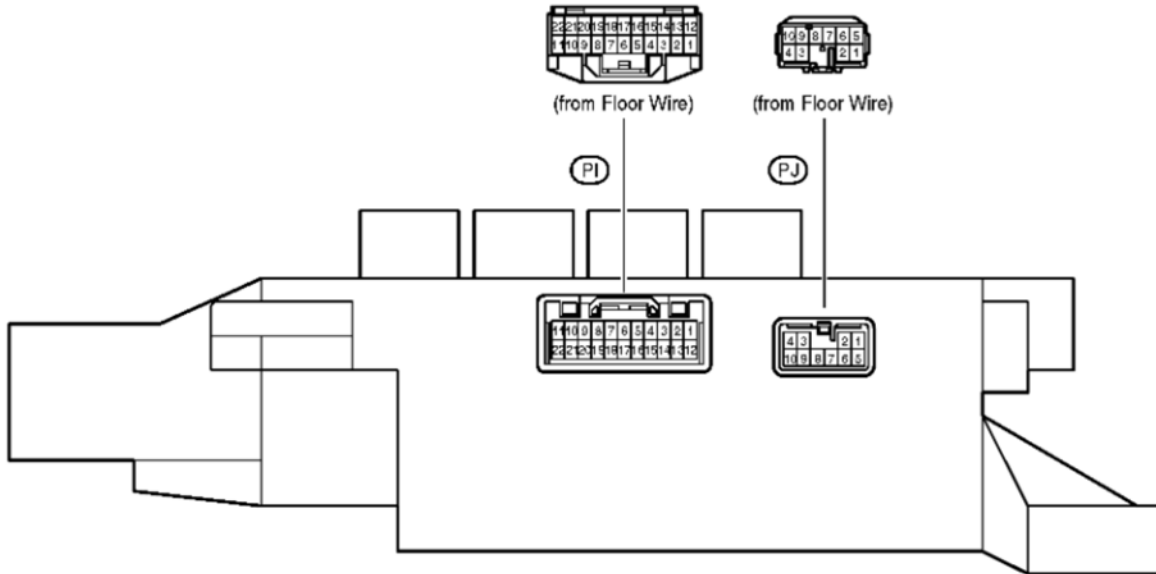


F RELAY LOCATIONS

View B

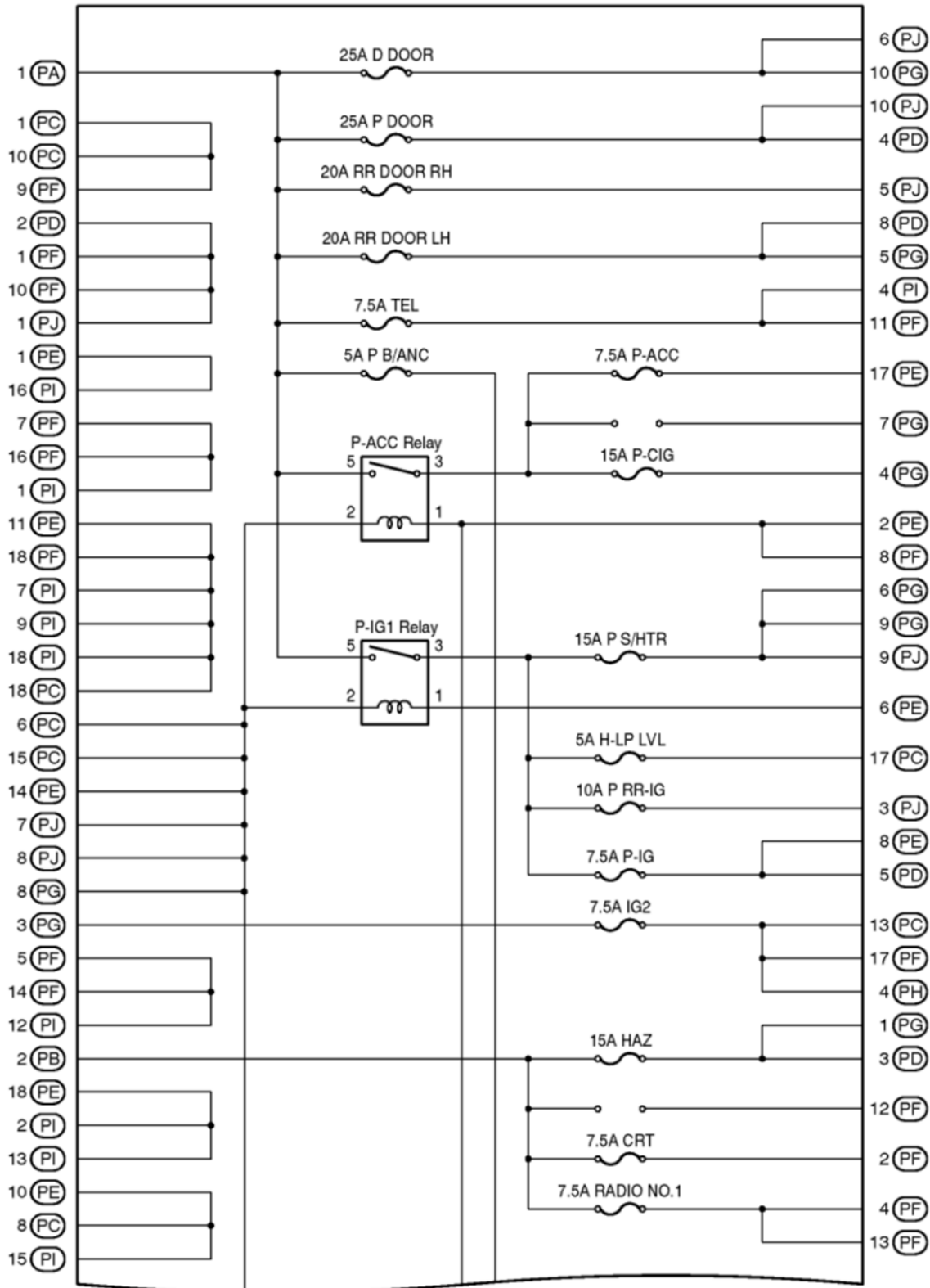


View C



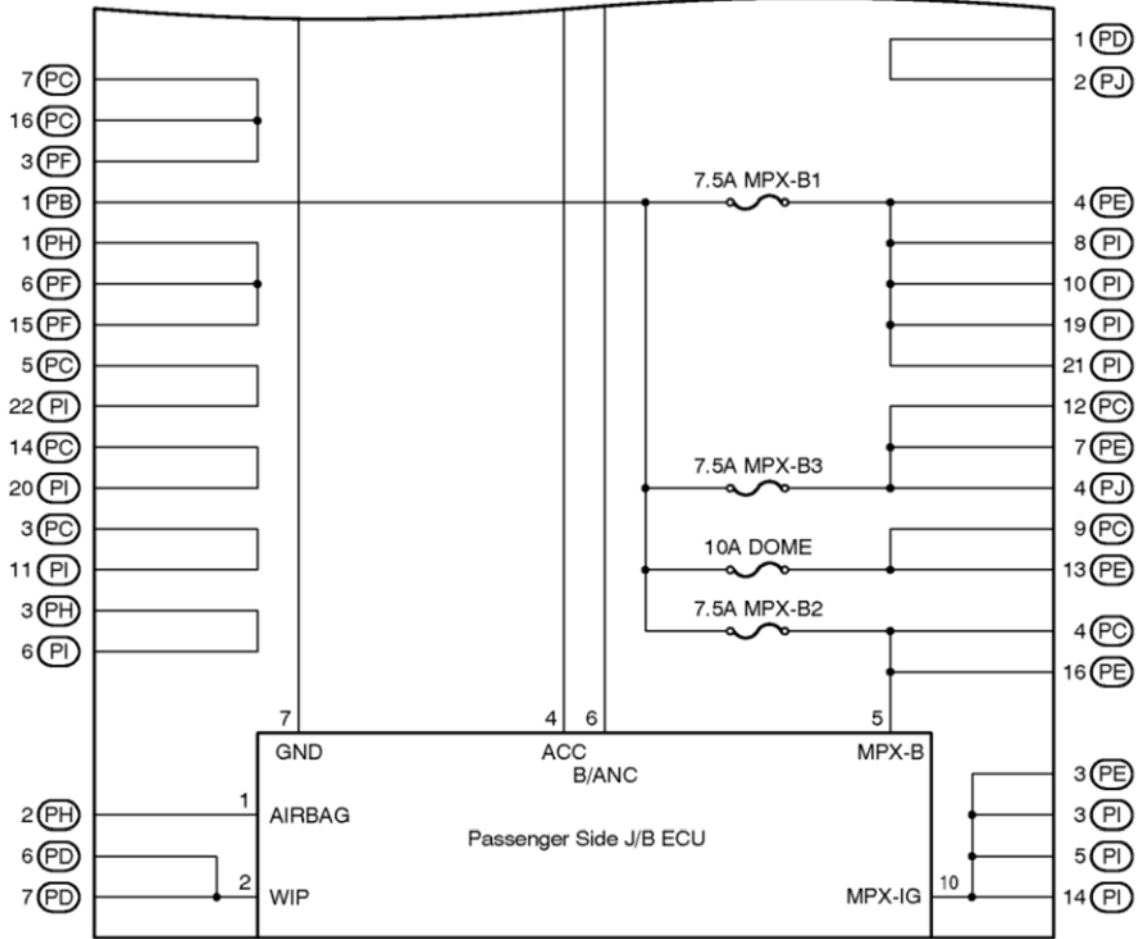
F RELAY LOCATIONS

[Passenger Side J/B Inner Circuit]



(Cont. Next Page)

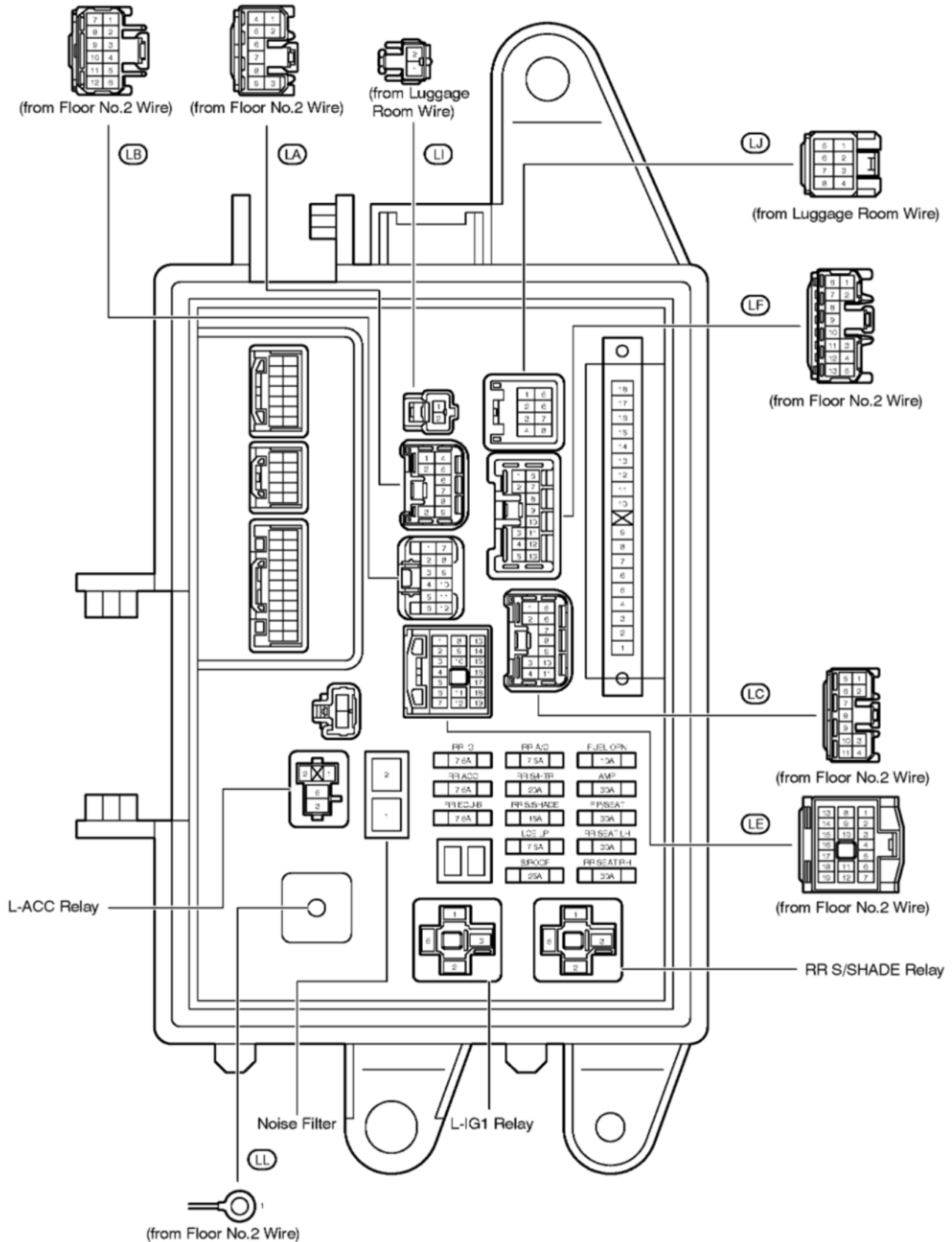
(Cont'd)



F RELAY LOCATIONS

○ : Luggage Room J/B

Luggage Room Left (See Page 22)



[Luggage Room J/B Inner Circuit]

