

CHASSIS INSPECTION

MA01B-03

1. INSPECT STEERING LINKAGE

- (a) Check the steering wheel freeplay (See page [SR-9](#)).
- (b) Check the steering linkage for looseness or damage.

Check that:

- Tie rod ends do not have excessive play.
- Dust seals and boots are not damaged.
- Boot clamps are not loose.

2. INSPECT SRS AIRBAG (See page [RS-3](#))

3. INSPECT STEERING GEAR HOUSING OIL

Check the steering gear housing for oil leakage.

4. INSPECT LOWER BALL JOINTS AND DUST COVERS

- (a) Jack up the front of the vehicle and support it with stands.
- (b) Make sure the front wheels are in a straight-ahead position, and depress the brake pedal.
- (c) Jack up the lower suspension arm until there is about half a load on the front coil spring.
- (d) Inspect the dust cover for damage.

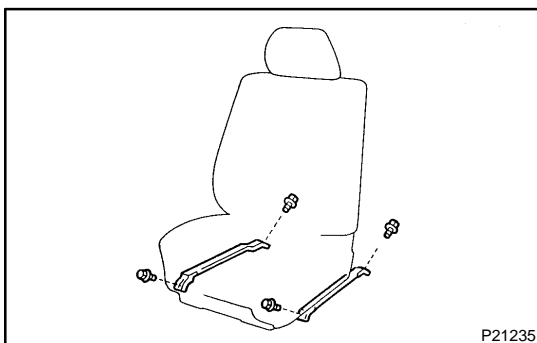
5. CHECK AUTOMATIC TRANSMISSION AND DIFFERENTIAL OIL

Visually check the automatic transmission and differential for oil leakage.

If leakage is found, check for the cause and repair it.

6. REPLACE AUTOMATIC TRANSMISSION FLUID (See page [DI-183](#))

7. REPLACE DIFFERENTIAL OIL (See page [SA-67](#))

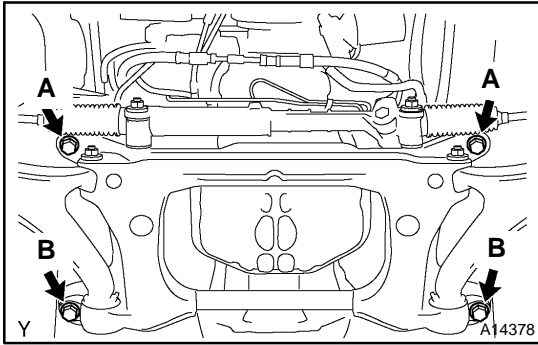


8. TIGHTEN BOLTS AND NUTS ON CHASSIS AND BODY

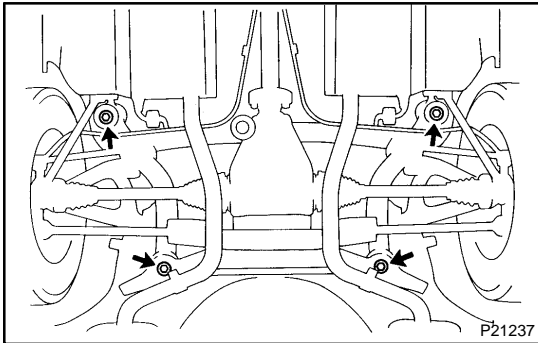
Tighten these parts:

- Front seat mounting bolts

Torque: 37 N·m (375 kgf·cm, 27 ft·lbf)



- Front suspension lower crossmember-to-body mounting nuts

Torque:**A: 176 N·m (1,795 kgf·cm, 130 ft·lbf)****B: 157 N·m (1,600 kgf·cm, 116 ft·lbf)**

- Rear suspension member-to-body mounting bolts

Torque: 180 N·m (1,840 kgf·cm, 133 ft·lbf)**9. BODY INSPECTION**

- Check the body exterior for dents, scratches and rust.
- Check the underbody for rust and damage.

If necessary, replace or repair.

10. REPLACE REFINER AIR FILTER (See page AC-110 and AC-111)**11. ROAD TEST**

- Check the engine and chassis for abnormal noises.
- Check that the vehicle does not wander or pull to one side.
- Check that the brakes work properly and do not drag.
- Do setting of the parking brake shoes and drum.

12. FINAL INSPECTION

- Check the operation of the body parts:
 - Hood:
 - Auxiliary catch operates properly
 - Hood locks securely when closed
 - Front and rear doors:
 - Door locks operate properly
 - Doors close properly
 - Luggage compartment door:
 - Door lock operates properly
 - Seats:
 - Seat adjusts easily and locks securely in any position
 - Front seat back locks securely in any position
- Be sure to deliver a clean car. Especially check:
 - Steering wheel
 - Shift lever knob
 - All switch knobs
 - Seats