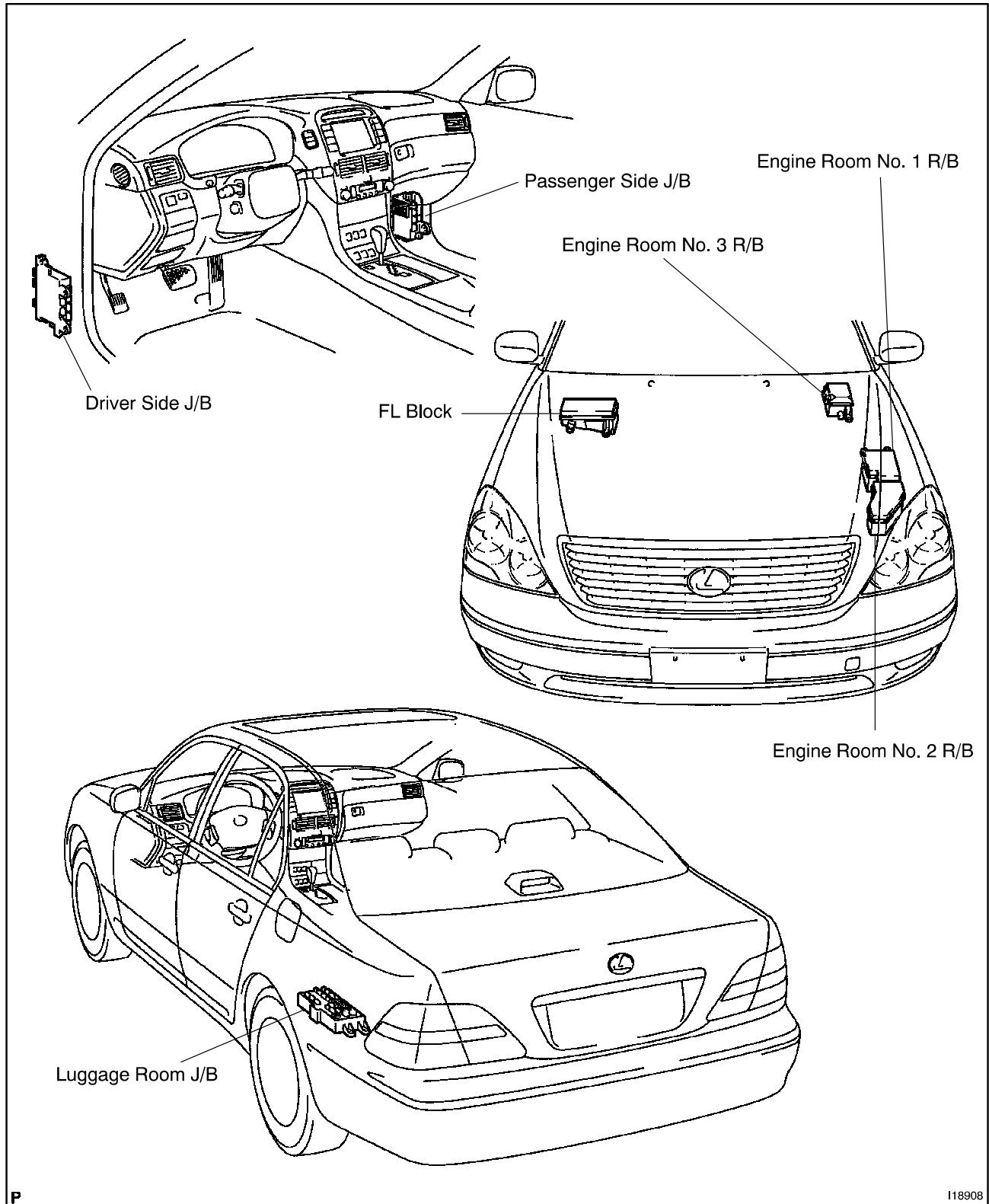
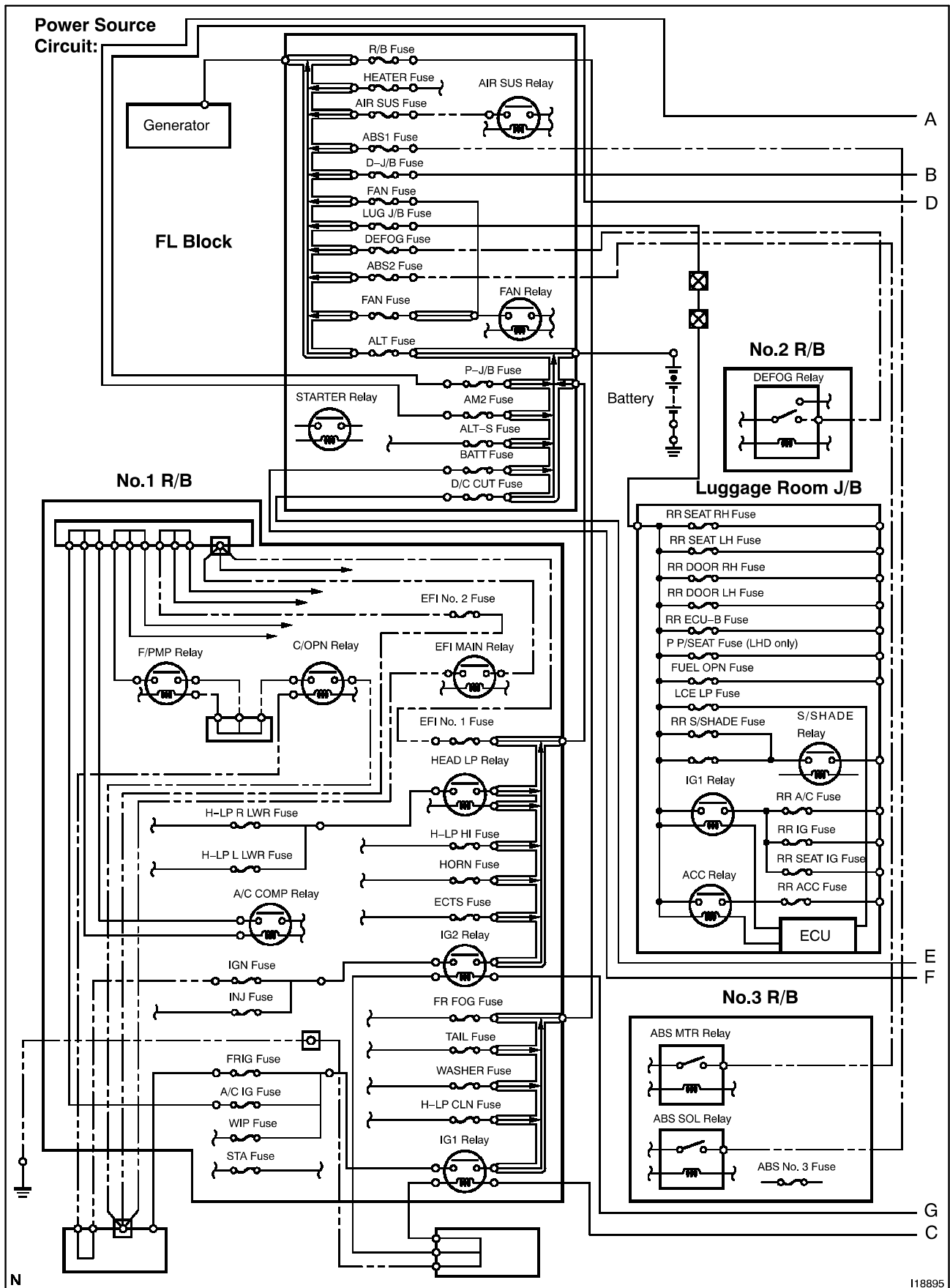


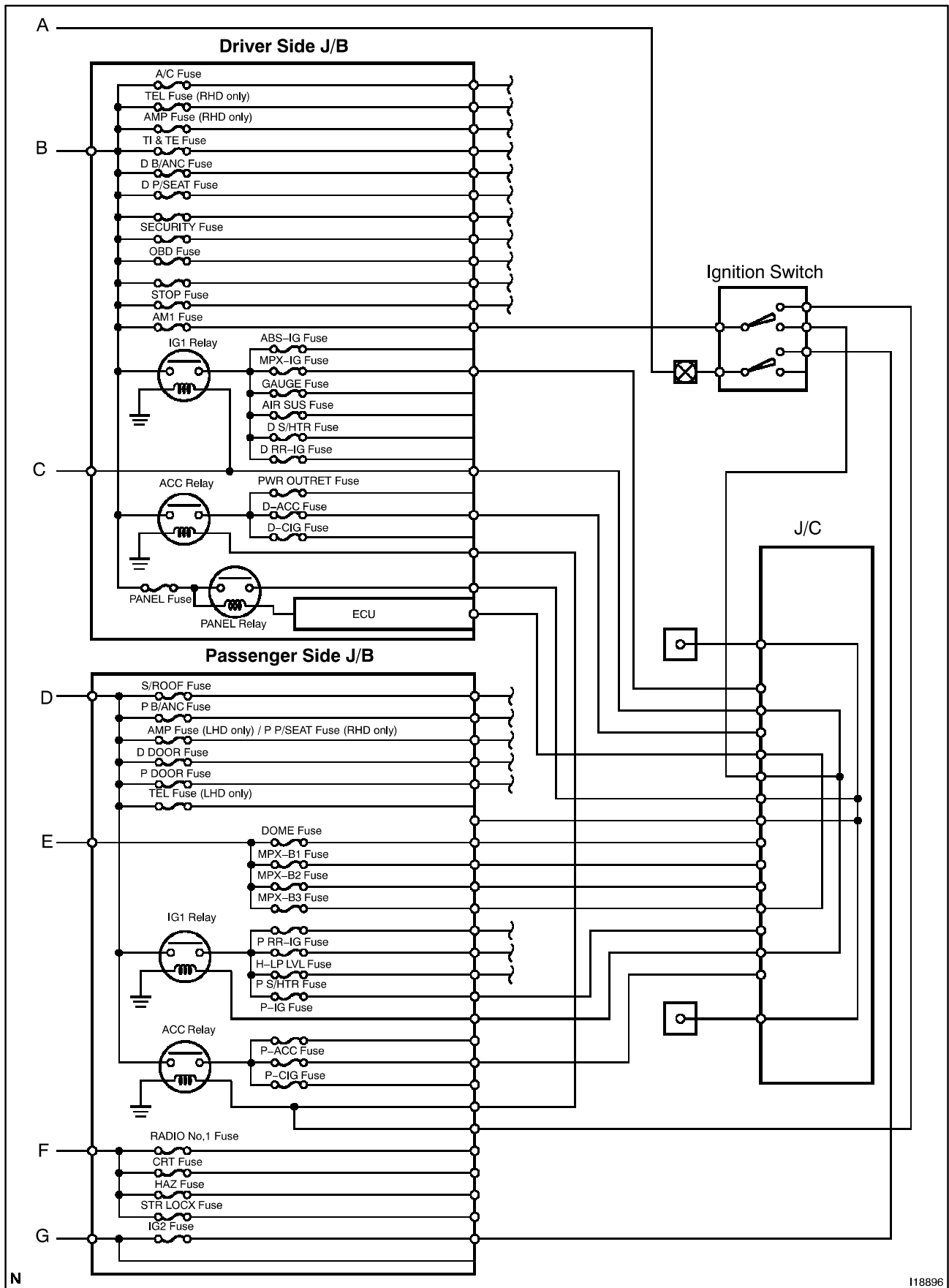
# POWER SOURCE LOCATION

BE21F-01



BODY ELECTRICAL - POWER SOURCE

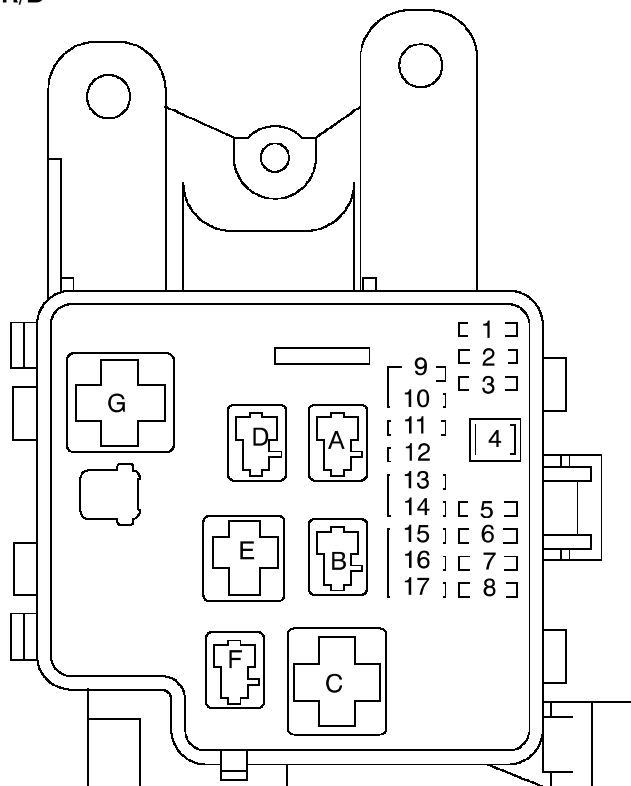




**Engine Room No. 1 R/B**

Fuses:

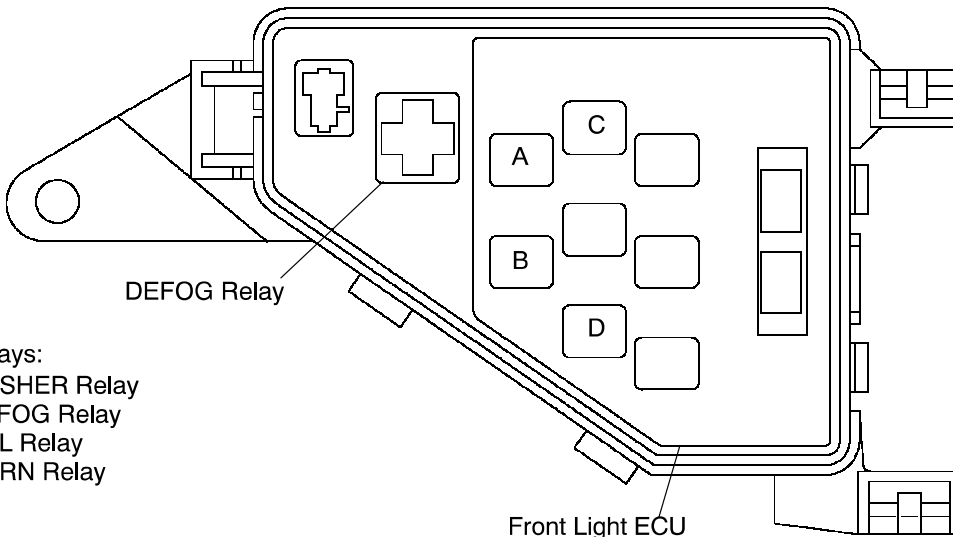
1. FR FOG Fuse
2. WASHER Fuse
3. TAIL Fuse
4. H-LP CLN Fuse
5. EFI No.1 Fuse
6. HORN Fuse
7. ETCS Fuse
8. H-LP Hi Fuse
9. H-LP R LWR Fuse
10. H-LP L LWR Fuse
11. EFI No.2 Fuse
12. STA Fuse
13. INJ Fuse
14. IGN Fuse
15. FRIG Fuse
16. A/C IG Fuse
17. WIP Fuse



Relays:

- A. A/C COMP Relay
- B. EFI MAIN Relay
- C. HEAD LP Relay
- D. C/OPN Relay
- E. F/PMP Relay
- F. IG2 Relay
- G. IG1 Relay

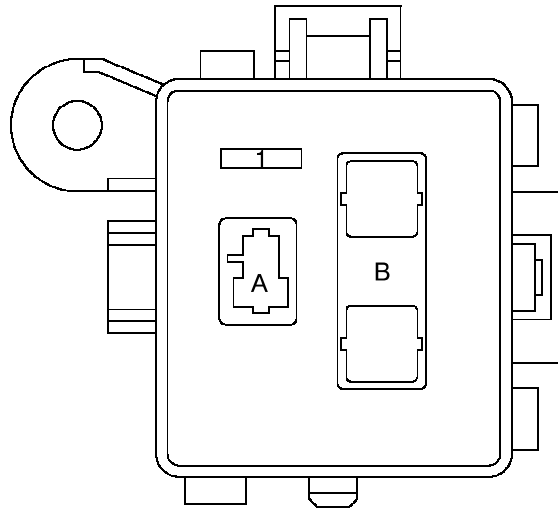
**Engine Room No. 2 R/B**



Relays:

- A. WASHER Relay
- B. Fr. FOG Relay
- C. TAIL Relay
- D. HORN Relay

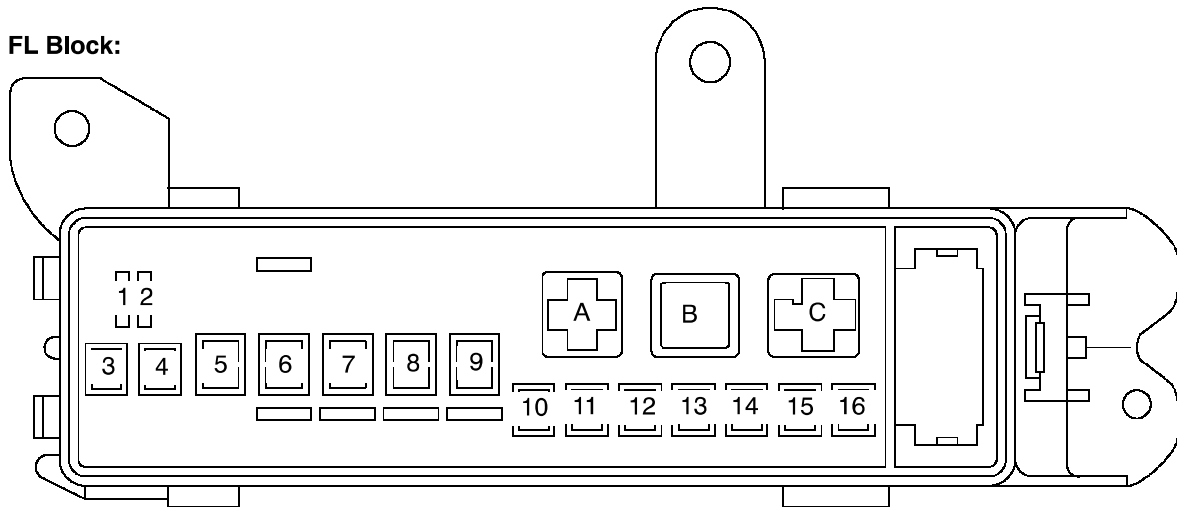
Engine Room R/B No. 3



Fuses:  
1. ABS3 Fuse

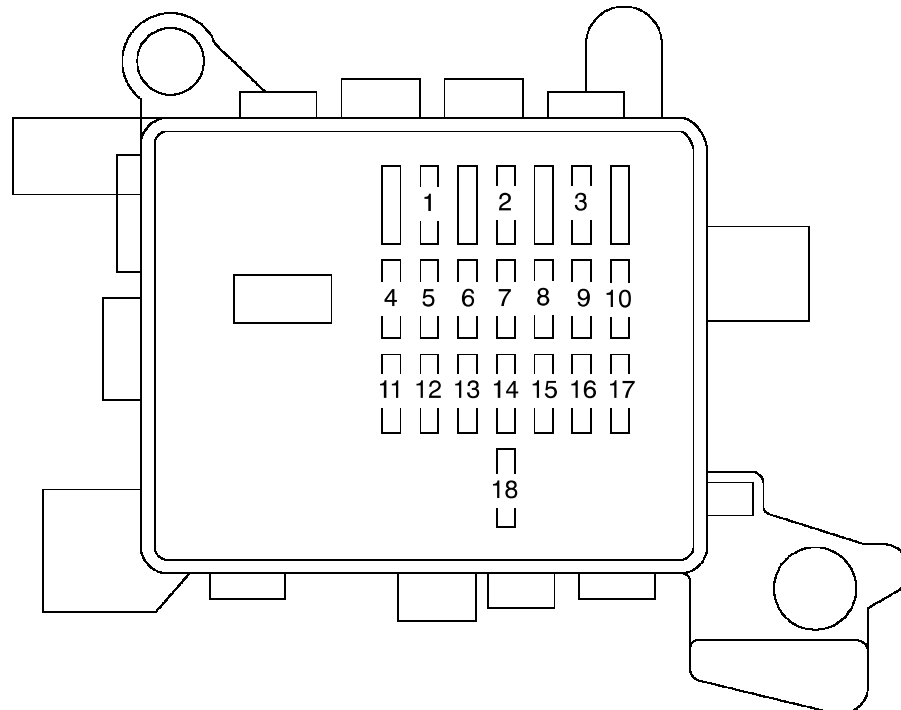
Relays:  
A. ABS SOL Relay  
B. ABS MTR Relay

FL Block:



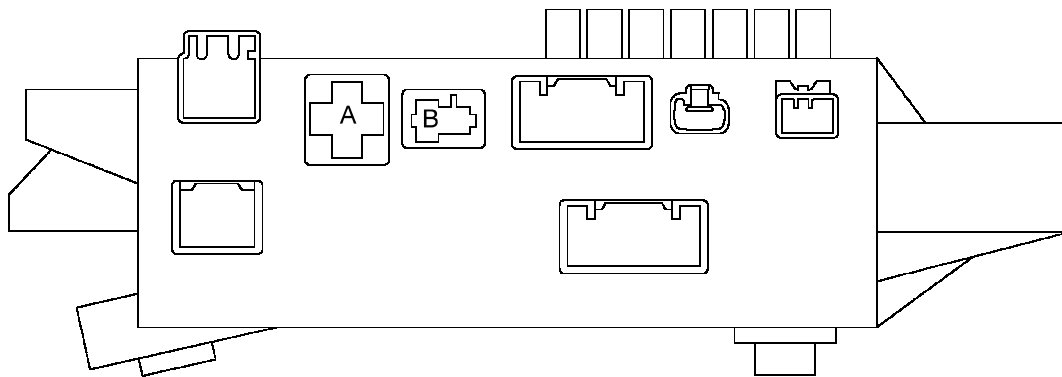
- Fuses:
- |                 |               |                  |                  |
|-----------------|---------------|------------------|------------------|
| 1. ALT-S Fuse   | 5. P-J/B Fuse | 9. R/B Fuse      | 13. ABS1 Fuse    |
| 2. D/C CUT Fuse | 6. ALT Fuse   | 10. FAN Fuse     | 14. HEATER Fuse  |
| 3. AM2 Fuse     | 7. D-J/B Fuse | 11. AIR SUS Fuse | 15. ABS2 Fuse    |
| 4. BATT Fuse    | 8. FAN Fuse   | 12. DEFOG Fuse   | 16. LUG J/B Fuse |

**Driver side J/B (LHD models):**



**Fuses:**

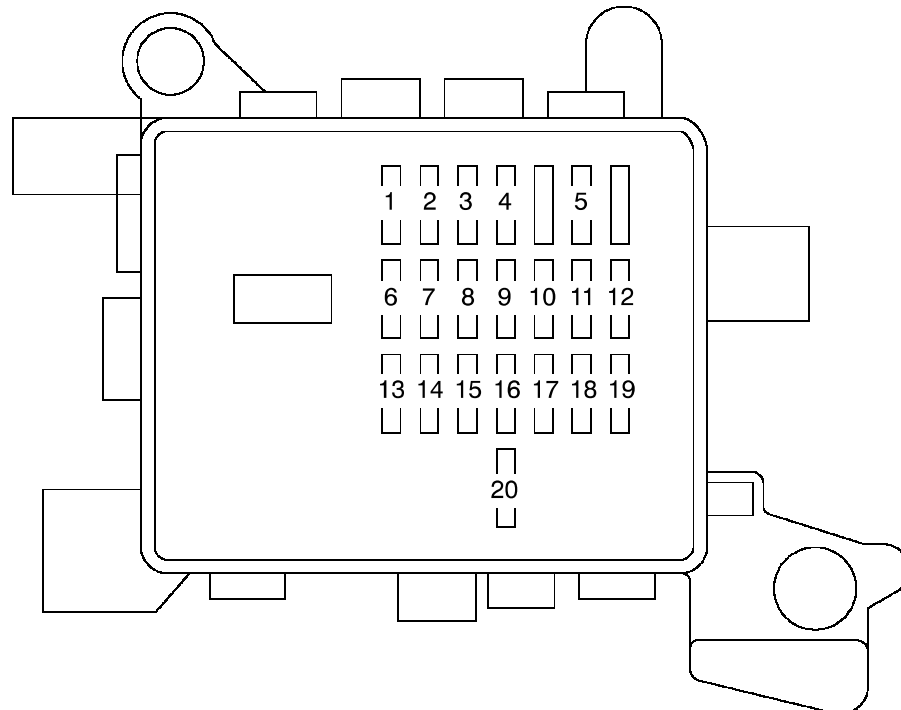
- |               |                 |                   |                  |
|---------------|-----------------|-------------------|------------------|
| 1. DP/SEAT    | 5. POWER OUTLET | 10. GAUGE Fuse    | 15. ABS-IG Fuse  |
| 2. PANEL Fuse | 6. D-ACC Fuse   | 11. STOP Fuse     | 16. AM1 Fuse     |
| 3. TI&TE Fuse | 7. AIRSUS Fuse  | 12. A/C Fuse      | 17. OBD Fuse     |
| 4. D-CIG Fuse | 8. D S/HTR Fuse | 13. SECURITY Fuse | 18. D RR-IG Fuse |
|               | 9. MPX-IG Fuse  | 14. D B/ANC Fuse  |                  |



**Relays:**

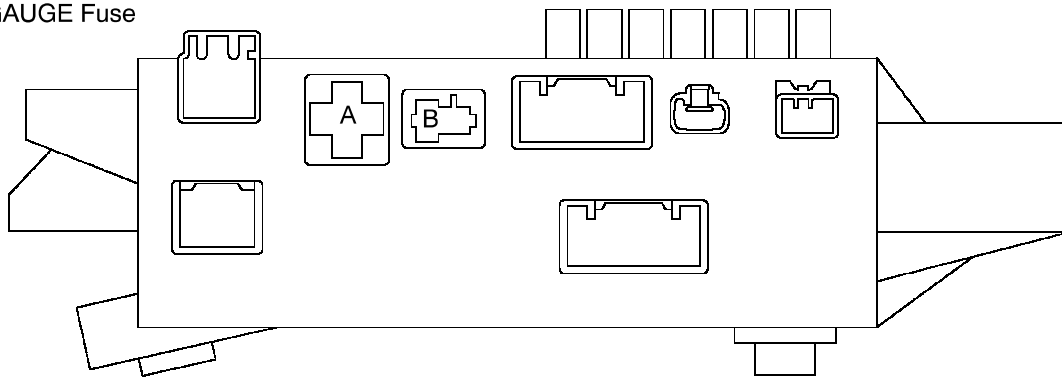
- A. D-IG1 Relay
- B. D-ACC Relay

**Driver side J/B (RHD models):**



**Fuses:**

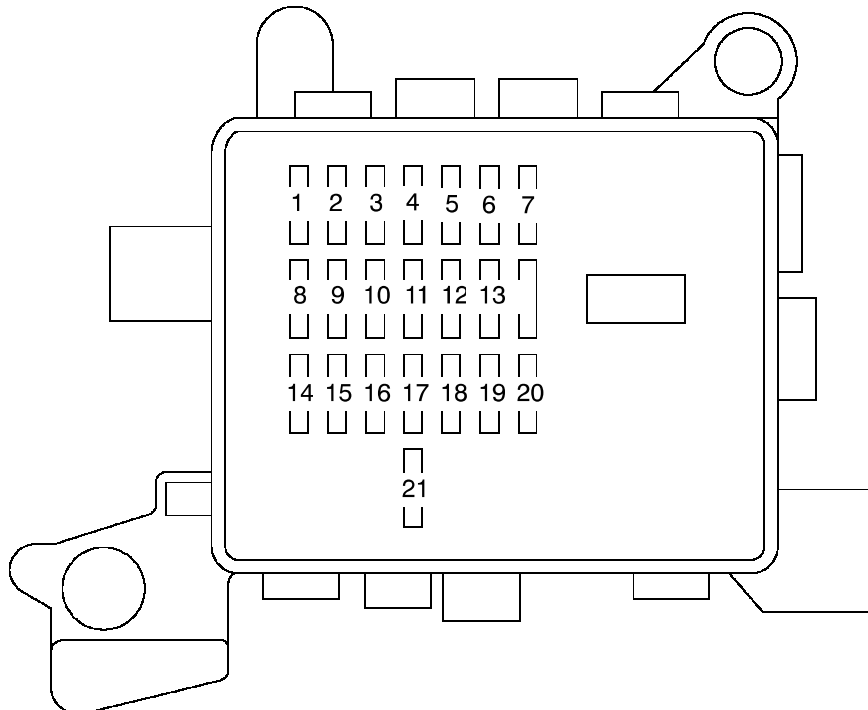
- |                  |                      |                  |                   |
|------------------|----------------------|------------------|-------------------|
| 1. TEL Fuse      | 7. POWER OUTLET Fuse | 10. D-CIG Fuse   | 15. SECURITY Fuse |
| 2. TI&TE Fuse    | 8. D S/HTR Fuse      | 11. OBD Fuse     | 16. A/C Fuse      |
| 3. AMP Fuse      | 9. AIRSUS Fuse       | 12. AM1 Fuse     | 17. STOP Fuse     |
| 4. PANEL Fuse    | 10. D-ACC Fuse       | 13. ABS-IG Fuse  | 18. D RR-IG Fuse  |
| 5. D-P/SEAT Fuse | 11. MPX-IG Fuse      | 14. D B/ANC Fuse |                   |
| 6. GAUGE Fuse    |                      |                  |                   |



**Relays:**

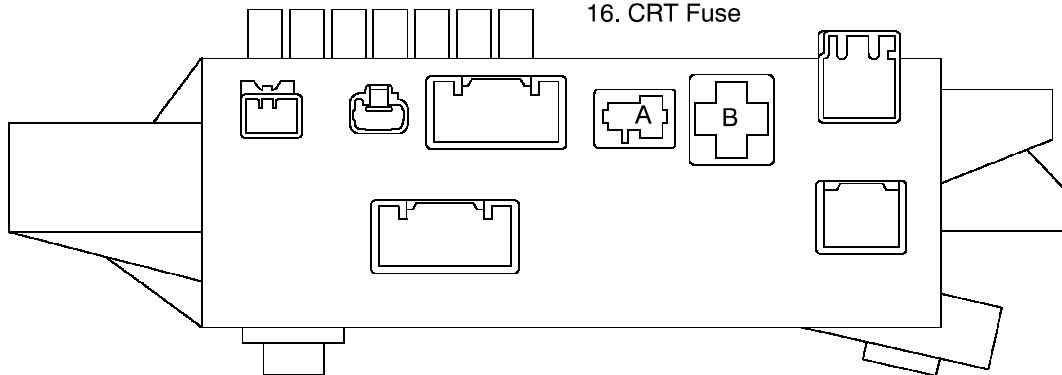
- A. D-IG1 Relay
- B. D-ACC Relay

Passenger side J/B (LHD models):



Fuses:

- |                    |                  |                   |                 |
|--------------------|------------------|-------------------|-----------------|
| 1. RADIO No.1 Fuse | 6. AMP FUSE      | 11. P S/HTR Fuse  | 17. MPX-B1 Fuse |
| 2. S/ROOF Fuse     | 7. D DOOR Fuse   | 12. P-ACC Fuse    | 18. MPX-B3 Fuse |
| 3. P DOOR Fuse     | 8. P RR-IG Fuse  | 13. P-CIG Fuse    | 19. DOME Fuse   |
| 4. TEL Fuse        | 9. H-LP LVL Fuse | 14. HAZ Fuse      | 20. MPX-B2 Fuse |
| 5. P B/ANC Fuse    | 10. P-IG Fuse    | 15. STR LOCK Fuse | 21. IG2 Fuse    |
|                    |                  | 16. CRT Fuse      |                 |

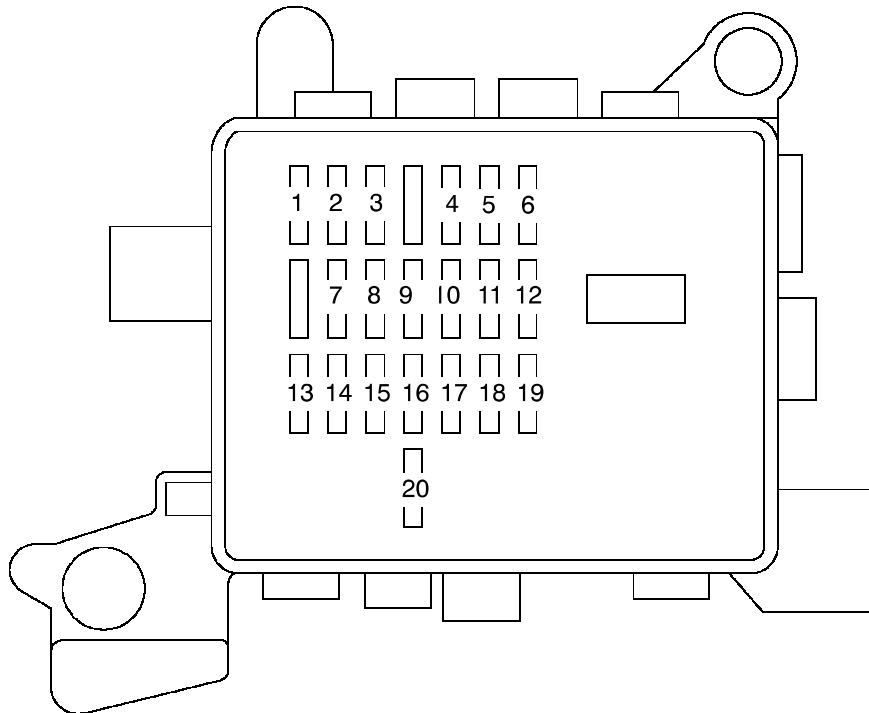


Relays:

- A. P-ACC Relay
- B. P-IG1 Relay

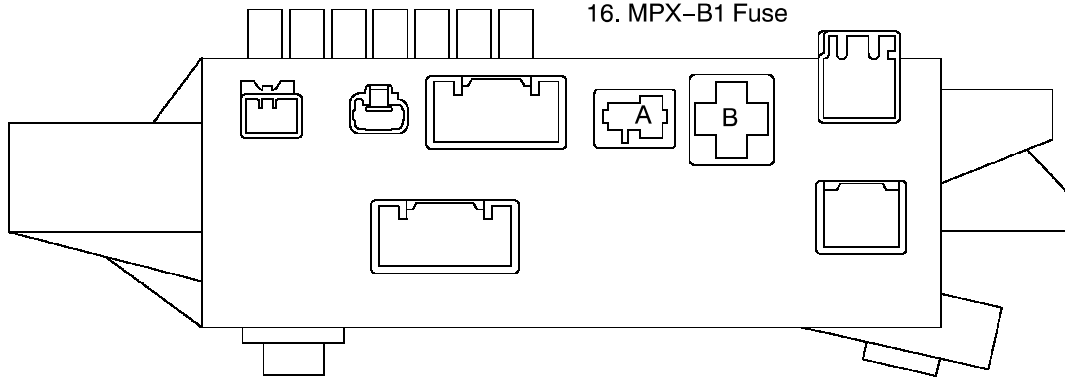


Passenger side J/B (RHD models):



Fuses:

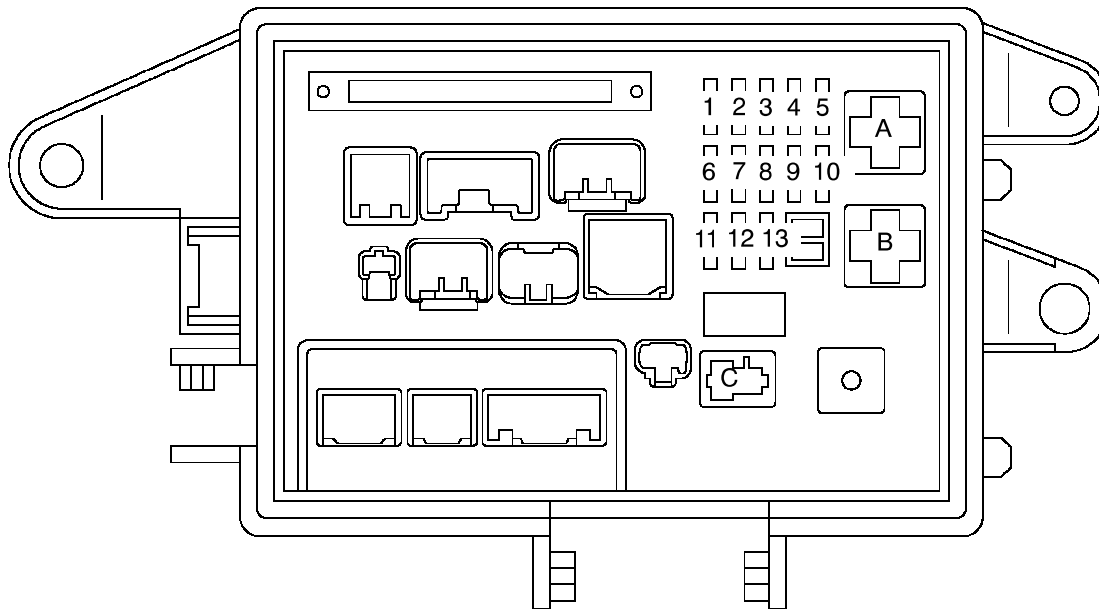
- |                  |                    |                  |                   |
|------------------|--------------------|------------------|-------------------|
| 1. D DOOR Fuse   | 6. RADIO No,1 FUSE | 11. H-LP Fuse    | 17. CRT Fuse      |
| 2. P P/SEAT Fuse | 7. P-CIG Fuse      | 12. P RR-IG Fuse | 18. STR LOCK Fuse |
| 3. P B/ANC Fuse  | 8. P-ACC Fuse      | 13. MPX-B2Fuse   | 19. HAZ Fuse      |
| 4. P DOOR Fuse   | 9. PS/HTR Fuse     | 14. DOME Fuse    | 20. IG2 Fuse      |
| 5. S/ROOF Fuse   | 10. P-IG Fuse      | 15. MPX-B3 Fuse  |                   |
|                  |                    | 16. MPX-B1 Fuse  |                   |



Relays:

- A. P-ACC Relay
- B. P-IG1 Relay

## Luggage Room J/B



## Fuses:

- |                    |                     |
|--------------------|---------------------|
| 1. FUEL OPEN Fuse  | 8. RR S/SHADE FUSE  |
| 2. RR DOOR LH Fuse | 9. LCE LP Fuse      |
| 3. P P/SEAT Fuse * | 10. RR DOOR RH Fuse |
| 4. RR SEAT LH Fuse | 11. RR IG Fuse      |
| 5. RR SEAT RH Fuse | 12. RR ACC Fuse     |
| 6. RR A/C Fuse     | 13. RR ECU-B Fuse   |
| 7. RR S/HTR Fuse   |                     |

\*: LHD model only

## Relays:

- |                     |
|---------------------|
| A. RR S/SHADE Relay |
| B. IG1 Relay        |
| C. ACC Relay        |