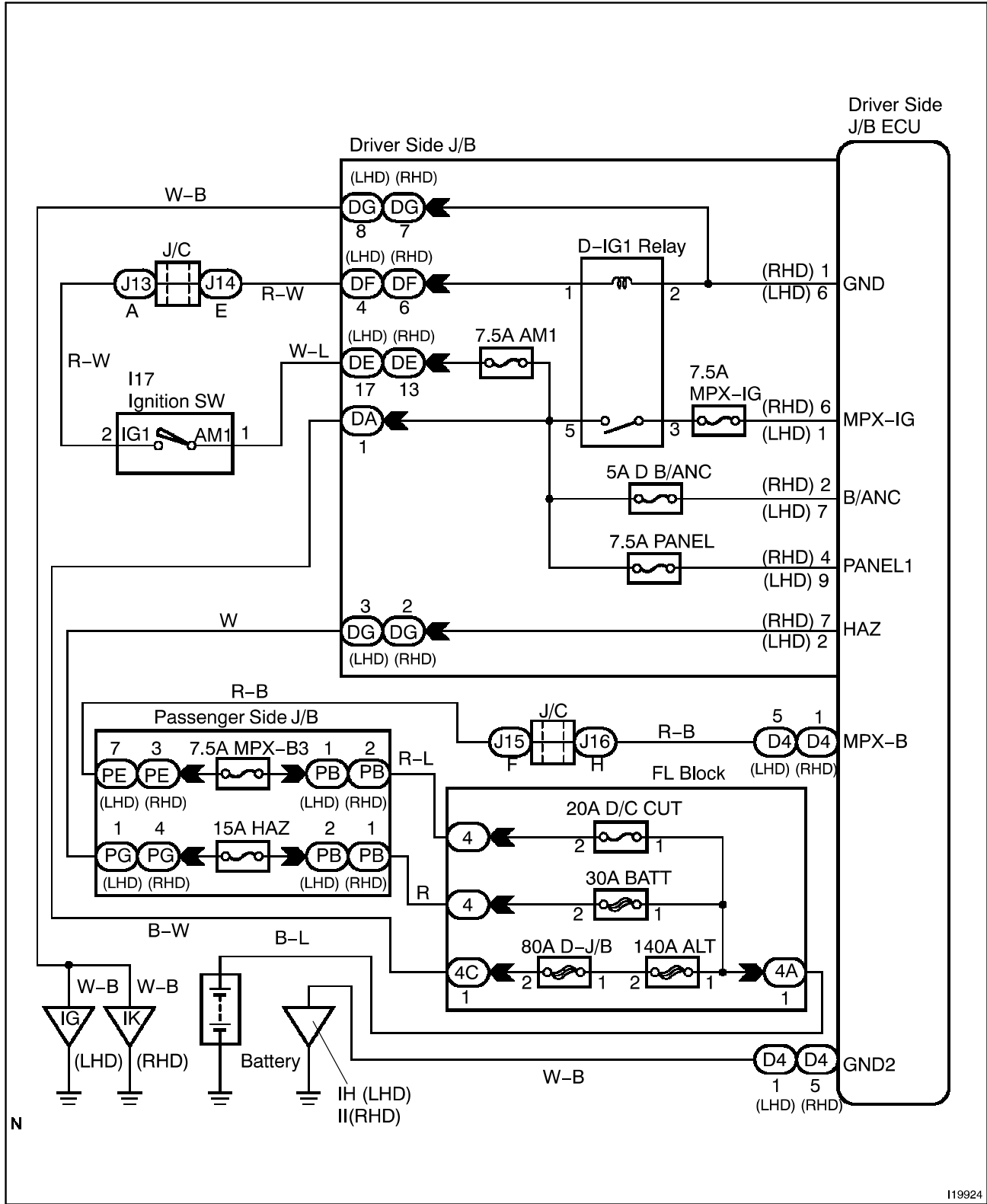


Power Source Circuit

CIRCUIT DESCRIPTION

This circuit provides power to operate the Driver side J/B ECU.

WIRING DIAGRAM



INSPECTION PROCEDURE

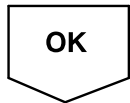
1	Check MPX-B3, MPX-IG, D B/ANC, HAZ and PANEL fuse.
----------	---

CHECK:

Check continuity of MPX-B3 and MPX-IG, D B/ANC, HAZ and PANEL fuse.

OK:

Continuity



2	Check voltage between terminal MPXB, MPX-IG, B/ANC, HAZ and PANEL1 and GND, GND2 of driver side junction block.
----------	--

PREPARATION:

Turn the ignition switch ON.

CHECK:

Measure voltage between terminals MPX-IG and GND of driver side J/B.

OK:

Voltage: 10 - 14 V

PREPARATION:

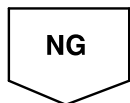
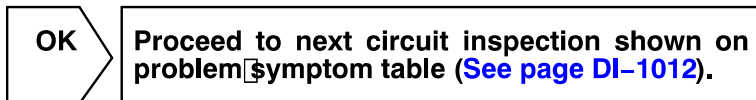
- (a) Turn the ignition switch OFF.
- (b) Disconnect the driver side junction block.

CHECK:

Measure voltage between terminals MPXB, B/ANC, HAZ, PANEL1 and GND2 of driver side J/B.

OK:

Voltage: 10 - 14 V



3**Check wire harness and connector between driver side J/B ECU and body ground (See page IN-35).****NG****Repair or replace wire harness or connector.****OK****Proceed to next circuit inspection shown on problem symptom table (See page DI-1012).**