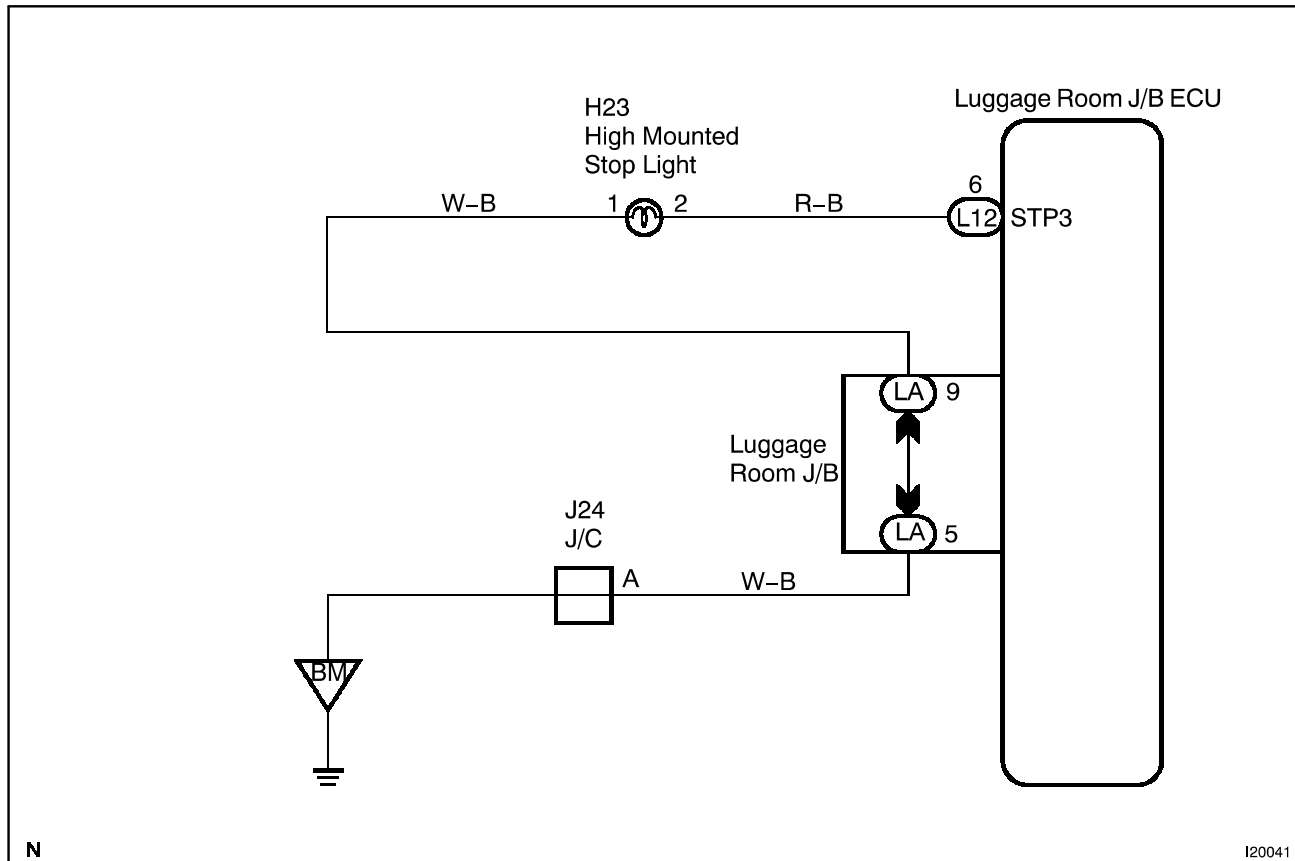


High-mounted Stop Light Circuit

CIRCUIT DESCRIPTION

Receiving the brake pedal signal from the luggage room J/B ECU makes the stop light come on.

WIRING DIAGRAM



INSPECTION PROCEDURE

1	Check high mounted stop light using LEXUS hand-held tester.
----------	--

PREPARATION:

Connect the LEXUS hand-held tester to the DLC3.

CHECK:

Check the high mounted stop light using ACTIVE TEST.

OK

Proceed to next circuit inspection shown on problem symptom table (See page DI-1113).
--

NG

2	Check high-mounted stop light bulb.
----------	--

NG

Replace the failure light bulb.
--

OK

3	Check wire harness and connector between high-mounted stop light and luggage room J/B ECU, battery and high-mounted stop light (See page IN-35).
----------	---

NG

Repair or replace wire harness or connector.

OK

Proceed to next circuit inspection shown on problem symptoms table (See page DI-1113).
