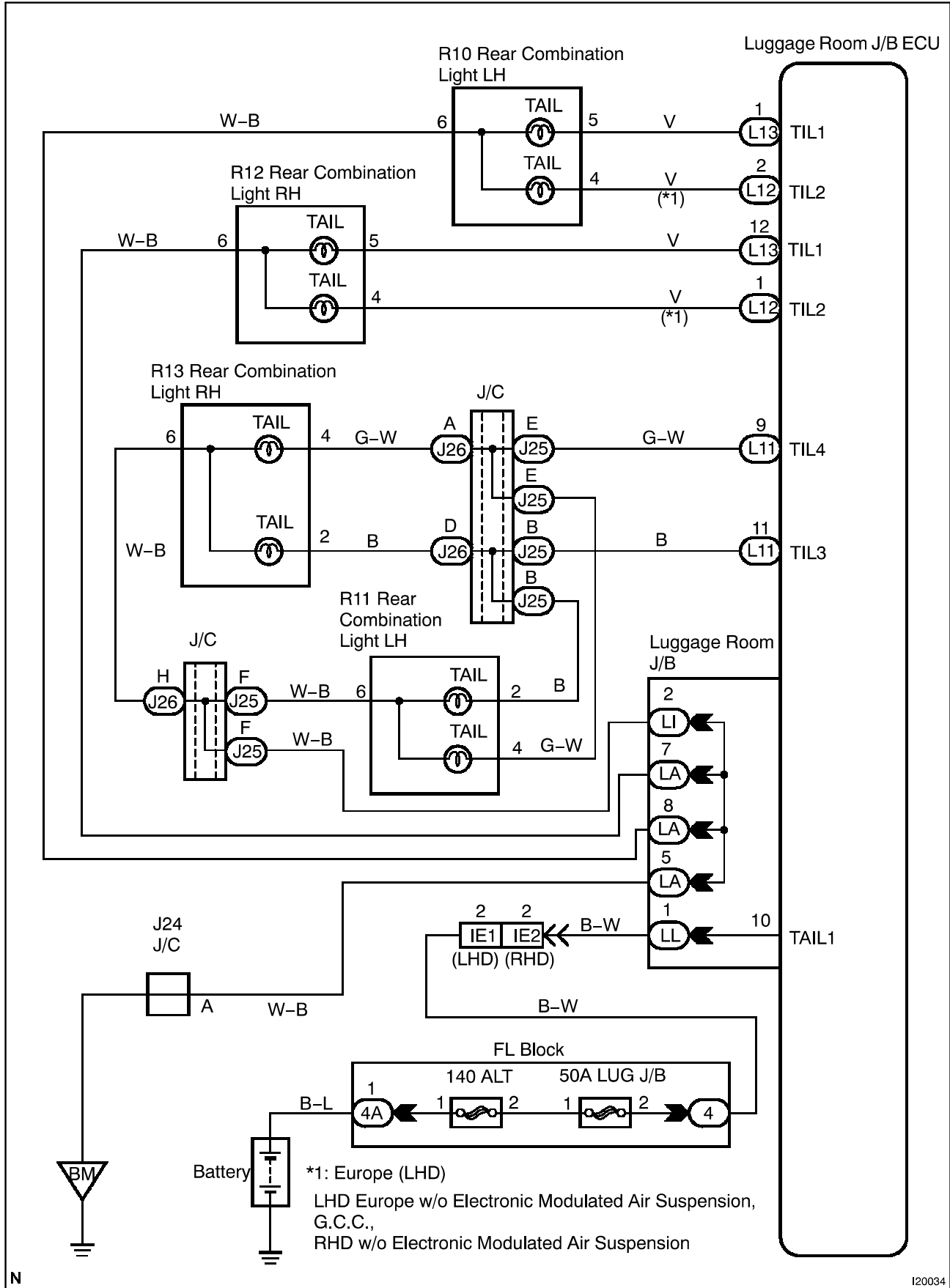


## Taillight Circuit

### CIRCUIT DESCRIPTION

Receiving the light control switch TAIL signal from either of the luggage room J/B ECU makes the taillight come on.

WIRING DIAGRAM



**INSPECTION PROCEDURE**

<b>1</b>	<b>Check taillight using LEXUS hand-held tester.</b>
----------	--

**PREPARATION:**

Connect the LEXUS hand-held tester to the DLC3.

**CHECK:**

Check the taillight using ACTIVE TEST.

<b>OK</b>
-----------

<b>Proceed to next circuit inspection shown on problem symptom table (See page DI-1113).</b>
--

<b>NG</b>
-----------

<b>2</b>	<b>Check taillight bulb.</b>
----------	------------------------------

<b>NG</b>
-----------

<b>Replace the failure light bulb.</b>
--

<b>OK</b>
-----------

<b>3</b>	<b>Check wire harness and connector between each taillight and luggage room J/B ECU, battery and each taillight (See page IN-35).</b>
----------	---

<b>NG</b>
-----------

<b>Repair or replace wire harness or connector.</b>
---

<b>OK</b>
-----------

<b>Proceed to next circuit inspection shown on problem symptoms table (See page DI-1113).</b>
---