

**Part Number: PTS31-50050**

**NOTE:** Part number of this accessory may not be the same as the part number shown.

**Kit Contents**

Item #	Quantity Reqd.	Description
1	1	Antenna
2	1	Antenna Tape Pad
3	1	Tuner Cable
4	3	Hardware Bags
5	1	SIRIUS Satellite Radio Brochure

**Hardware Bag Contents - 1**

Item #	Quantity Reqd.	Description
1	6	Foam Tape Pads
2	7	Lock Ties
3	4	Double-Sided Tape

**Hardware Bag Contents - 2**

Item #	Quantity Reqd.	Description
1	8	Screw (6-32x5/16)
2	3	Nut (Hex 6-32) <b>DO NOT USE</b>

**Hardware Bag Contents - 3**

Item #	Quantity Reqd.	Description
1	1	"A" Pillar Clip
2	2	Self-Tapping Screws <b>DO NOT USE</b>

**Additional Items Required For Installation**

Item #	Quantity Reqd.	Description
1		
2		

**Conflicts**

--

**Recommended Tools**

<b>Personal &amp; Vehicle Protection</b>	<b>Notes</b>
Safety Goggles	
Seat Covers	
Floor Protectors	
<b>Special Tools</b>	<b>Notes</b>
None	
<b>Installation Tools</b>	<b>Notes</b>
Ratchet	
Extension	
Sockets	10 mm,
Screwdriver	Phillips, #2

Nylon Panel Removal Tool	e.g. Panel Pry Tool #1 Toyota SST # 00002-06001-01
Low Adhesive Tape	50 mm width
Torque Wrench	
Tape Measure	Metric
Clip Removal Tool	Snap-on Trim Pad Remover #A177A
Plastic Spreader	61/4" Plastic Bondo Spreader
Side Cutter	
<b>Special Chemicals</b>	<b>Notes</b>
Cleaner	Windex or Approved Cleaner

**General Applicability**

--

**Recommended Sequence of Application**






Item #	Accessory
1	
2	
3	

\*Mandatory

**Vehicle Service Parts** (may be required for reassembly)

Item #	Quantity Reqd.	Description
1		
2		
3		

**Legend**

	<b>STOP:</b> Damage to the vehicle may occur. Do not proceed until process has been complied with.
	<b>OPERATOR SAFETY:</b> Use caution to avoid risk of injury.
	<b>CAUTION:</b> A process that must be carefully observed in order to reduce the risk of damage to the accessory/vehicle and to ensure a quality installation.
	<b>TOOLS &amp; EQUIPMENT:</b> Used in Figures calls out the specific tools and equipment recommended for this process.
	<b>REVISION MARK:</b> This mark highlights a change in installation with respect to previous issue.

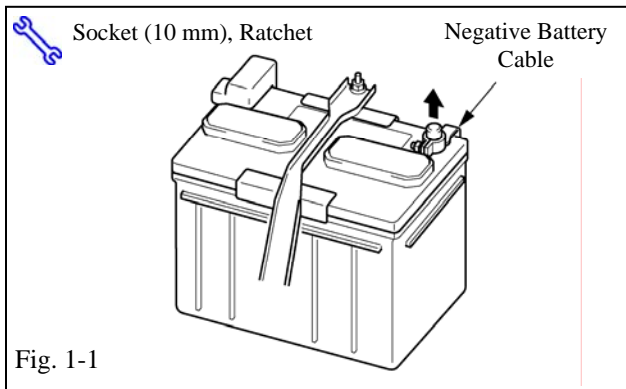
Care must be taken when installing this accessory to ensure damage does not occur to the vehicle. The installation of this accessory should follow approved guidelines to ensure a quality installation.

These guidelines can be found in the "Accessory Installation Practices" document.

This document covers such items as:

- Vehicle Protection (use of covers and blankets, cleaning chemicals, etc.).
- Safety (eye protection, rechecking torque procedure, etc.).
- Vehicle Disassembly/Reassembly (panel removal, part storage, etc.).
- Electrical Component Disassembly/Reassembly (battery disconnection, connector removal, etc.).

Please see your Toyota dealer for a copy of this document.



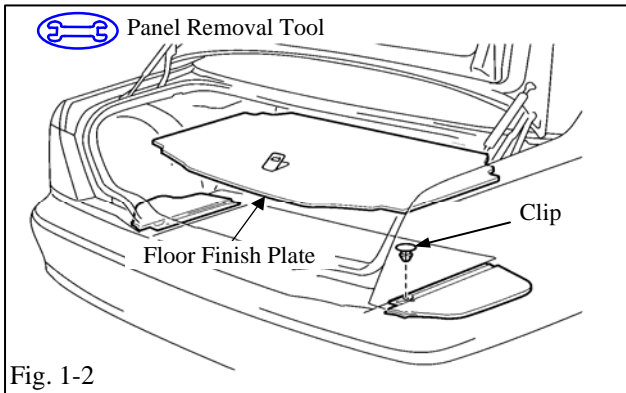
**1. Vehicle Disassembly.**



- (a) Set parking brake.
- (b) Shift into neutral (N), and then unscrew the shift knob.
- (c) Remove the negative battery cable. (Fig. 1-1)



- (1) Protect the fender before starting.
- (2) Do not touch the positive terminal with any tool when removing cable.

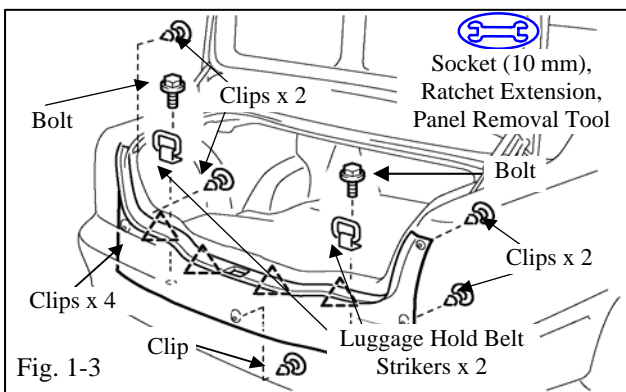


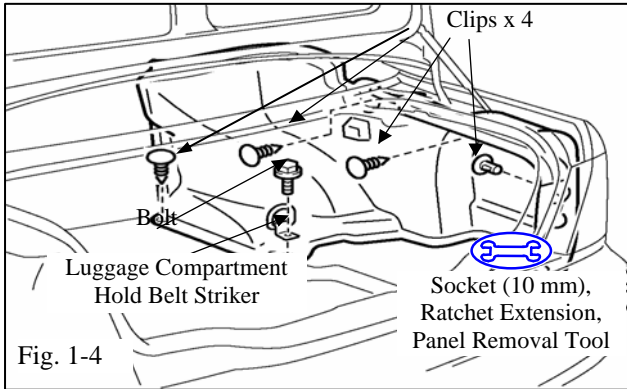
- (d) Remove the floor mat, deck trim sideboards on both sides and rear floor finish plate.

- (1) Remove the two (1) clip and deck trim sideboards on right side. (Fig. 1-2)

- (2) Remove the two (2) bolts and two (2) luggage hold belt strikers. (Fig. 1-3)

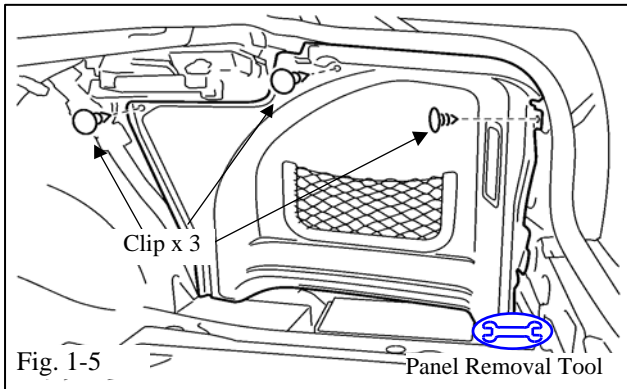
- (3) Remove the five (5) clips and the rear floor finish plate. (Fig. 1-3)





- (4) Remove the bolt and luggage hold belt striker. (Fig. 1-4)
- (5) Remove the four (4) clips and luggage compartment trim side cover. (Fig. 1-4)

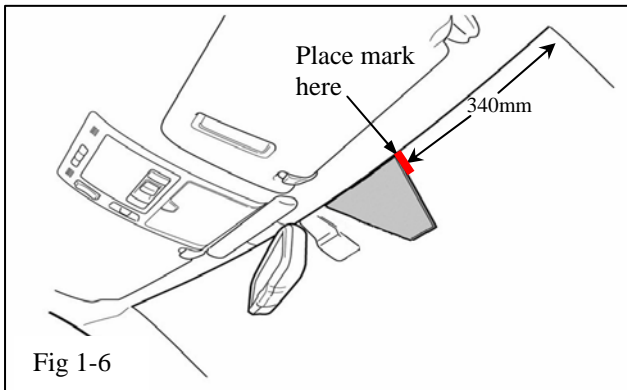
FOR VEHICLES WITH REAR AIR CONDITIONER.



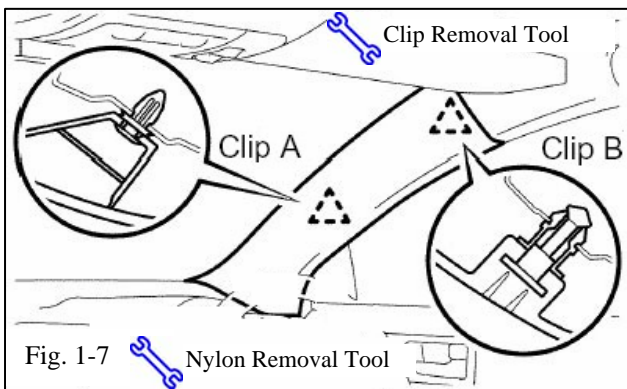
- (6) Remove the three (3) clips and luggage compartment trim side cover. (Fig. 1-5)

(e) Mark Window for Antenna Placement


**Note:** Before marking the window you must clean the antenna mounting area with Windex and then mark the mounting location of the tape pad.

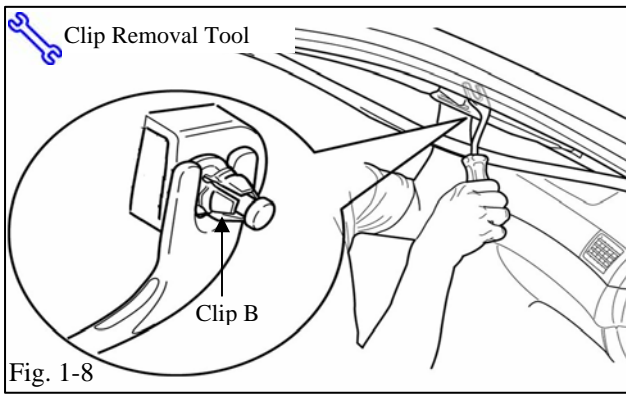



- (f) Measure from the right side of the tape pad over to the right side "A" pillar 340mm and place a mark on the window as shown. (Fig. 1-6)




(g) Remove "A" Pillar Garnish.


-  (1) Using a nylon removal tool, disengage the clip labeled A. (Fig. 1-7)



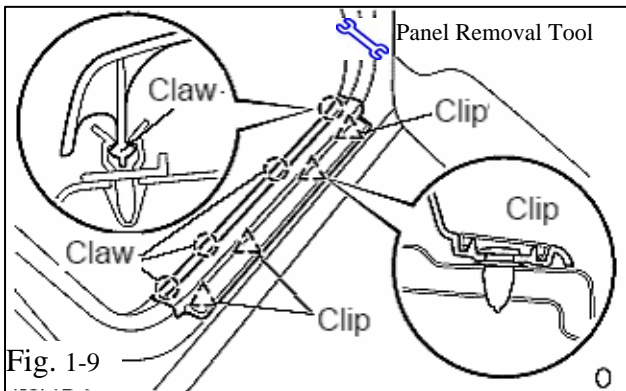
-  (2) Insert a clip removal tool onto clip B under the garnish. (Fig. 1-8)

 **Note:** Apply protective tape or a rag between the clip removal tool and the “A” pillar to prevent the clip removal tool from scratching the paint.

- (3) Push the upper portion of the garnish in by hand and then pry outward with the clip removal tool to release the clip. (Fig. 1-8)

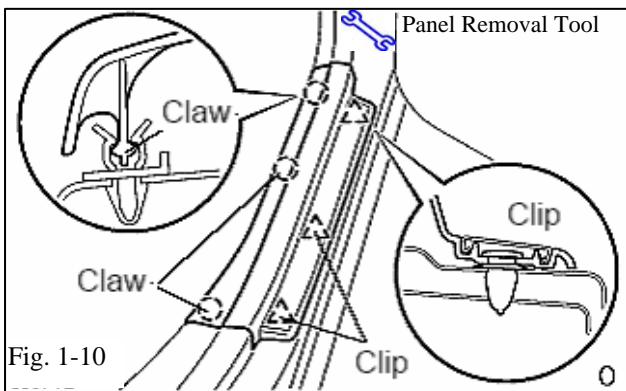
 **Note:** The new clip included in the kit must be used when reinstalling the “A” pillar garnish.

- (4) Slide garnish upward to remove.



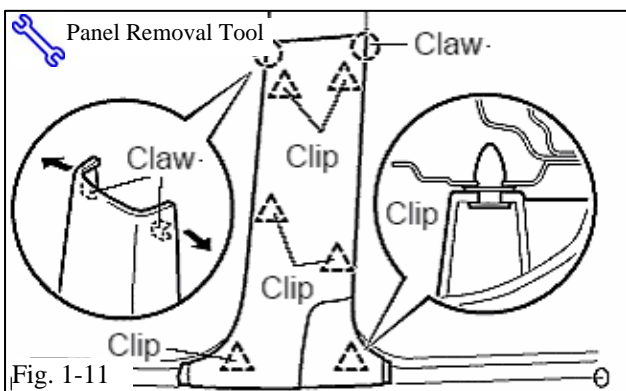
- (h) Remove Passenger Front Door Scuff Plate. (Fig. 1-9)

- (1) Insert nylon removal tool & remove scuff plate.



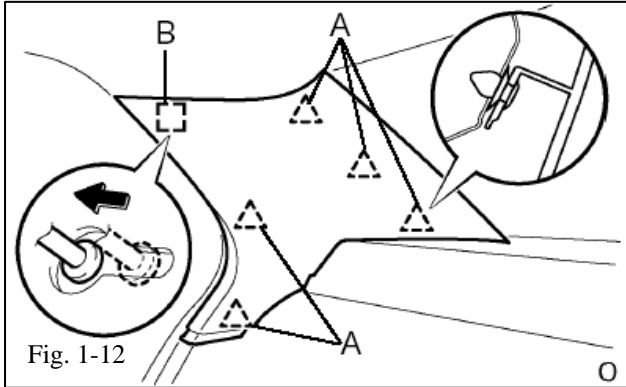
- (i) Remove the Rear Seat Scuff Plate. (Fig. 1-10)

- (1) Insert nylon removal tool & remove scuff plate.



- (j) Remove the “B” Pillar Garnish. (Fig. 1-11)

- (1) Insert nylon removal tool & disengage the 2 claws and 6 clips.

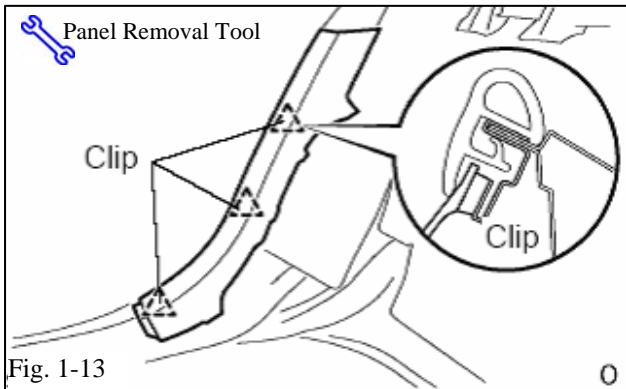


(k) Remove the right side interior “C” pillar garnish panel.

**Note:** Installer may choose not to remove both the “C” pillar garnish panel and the Rear Seat Side Cover in step (l). Accessing the grommet behind the rear seat can be achieved without removing these parts.



(1) Using a nylon panel removal tool, disengage the 5 clips labeled A and the clip labeled B. Then remove the garnish. (Fig. 1-12)



(l) Remove the Rear Seat Side Cover. (Fig. 1-13)

(1) Insert nylon removal tool & disengage the 3 clips.

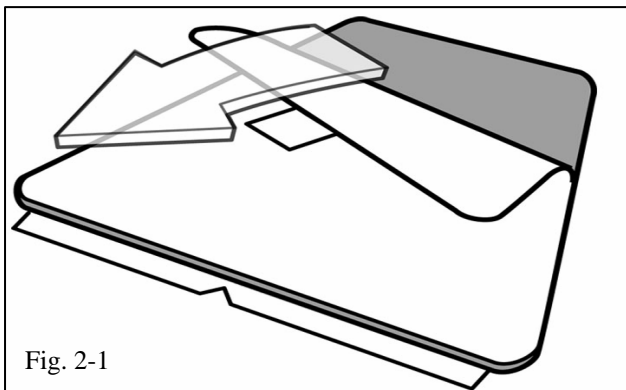
## 2. Install the Antenna.



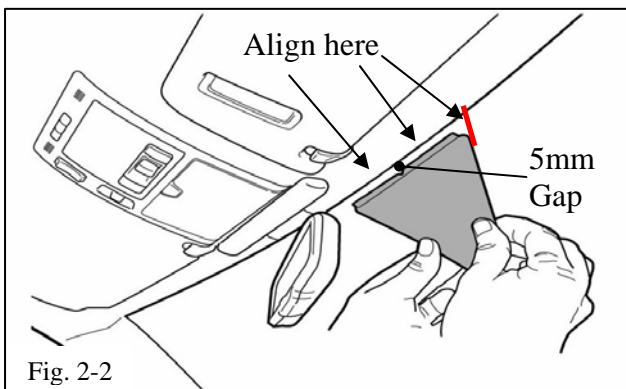
**Note:** Mounting location must be completely dry & installation temperature must be between 60° - 100° F before mounting the tape pad.

(a) Place the pad in the correct mounting location.

(1) At this point only remove the white release paper from the mounting pad. (Fig. 2-1)

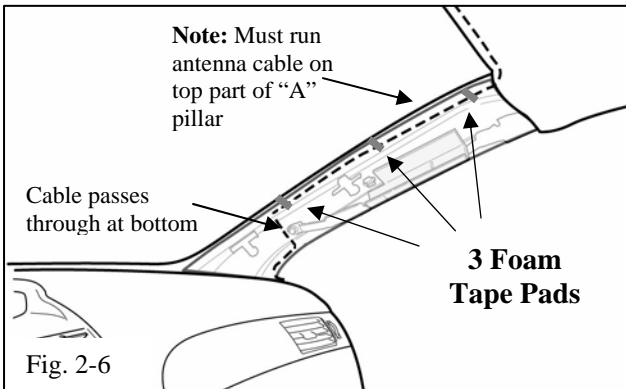
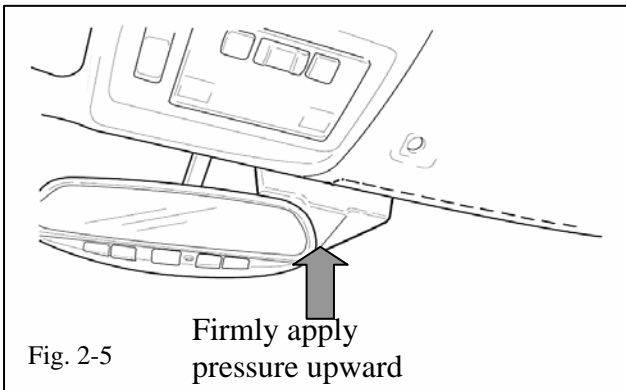
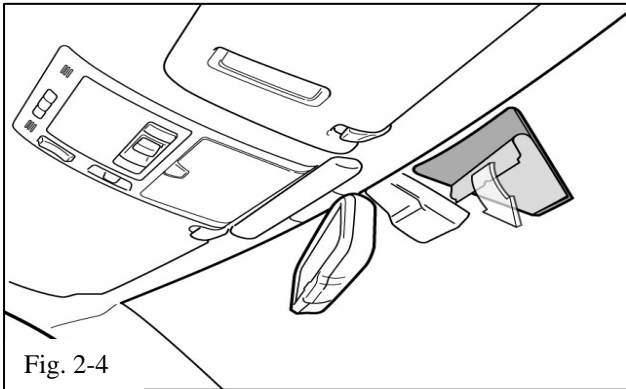
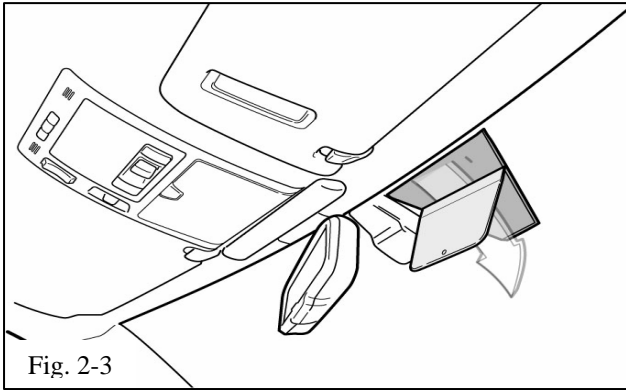


(2) When placing the pad on the window, align the red release paper pull-tab with approximately 5mm gap from the front of the headliner and then align with the mark on the window as shown. (Fig. 2-2)



(3) Initially only stick the very top edge of the tape pad onto the window.





(b) Complete the installation of the tape pad. (Fig. 2-3)



(1) Using a 6 1/4" Plastic Spreader start from the top of the tape pad and evenly squeegee down the pad to assure complete wet-out of the tape.

**NOTE:** Spreader must completely cover the width of the tape pad in one downward stroke in order to assure complete wet-out of the tape.

(c) Remove the red release paper from the front of the antenna tape pad. (Fig. 2-4)

(d) Remove the release tabs from the back of the antenna, and place the antenna in the proper position directly over the mounting pad. (Fig. 2-5)



(1) By hand firmly apply pressure upward on the antenna to assure complete wet-out of the tape pads.

(e) Route the antenna cable up underneath the front of the headliner as shown. (Fig. 2-5 & 2-6)

(f) Route the cable down the upper part of the "A" pillar as shown. (Fig. 2-6)

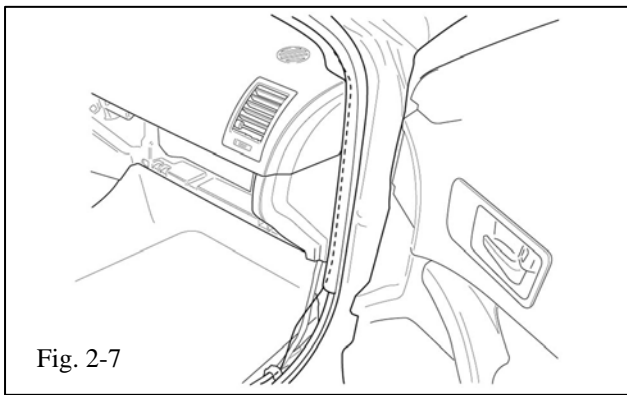
(1) Cut the foam tape pads supplied in kit in half and place 3 strips along the cable to hold in position as shown. (Fig. 2-6)



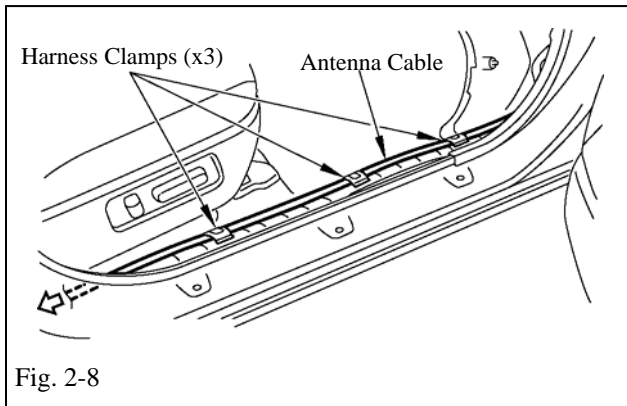
(2) Make sure the cable does not interfere with the airbag system.



(3) Make sure the cable passes over at the bottom part of the "A" pillar so it does not interfere with the airbag system. (Fig. 2-6)

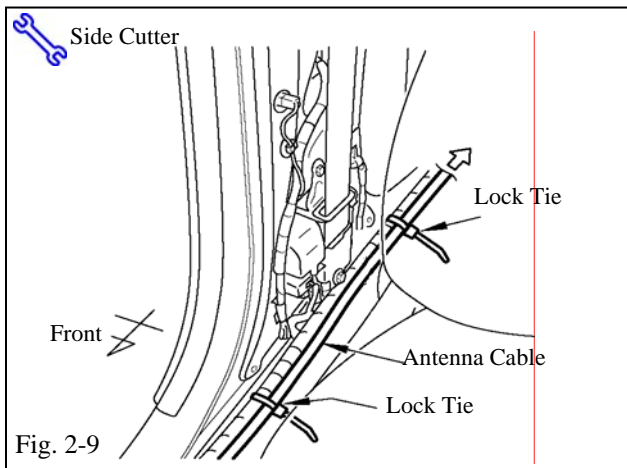


(g) Continue routing the cable down the door opening under the door seal rubber molding as shown. (Fig. 2-7)



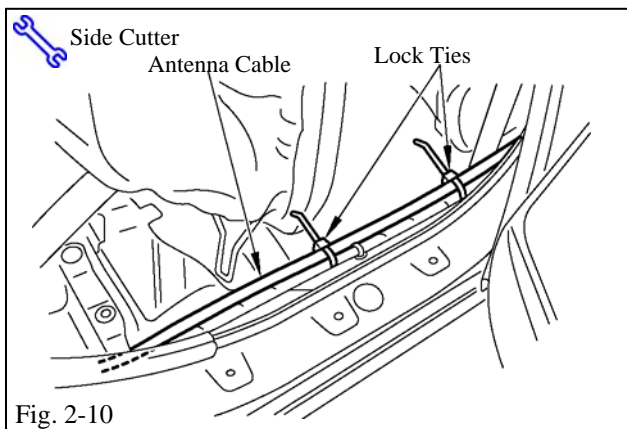
(h) Front Scuff Plate Wiring.

(1) Route cable next to factory harness. (Fig. 2-8)



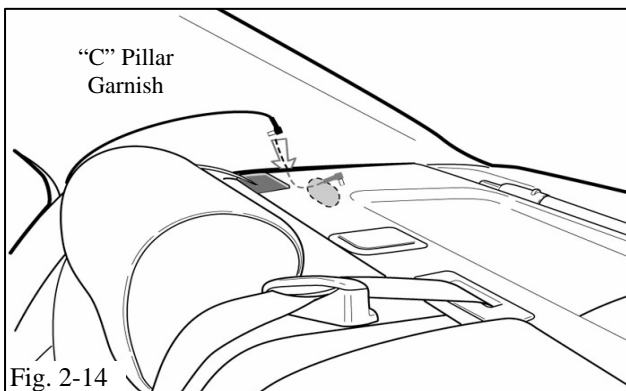
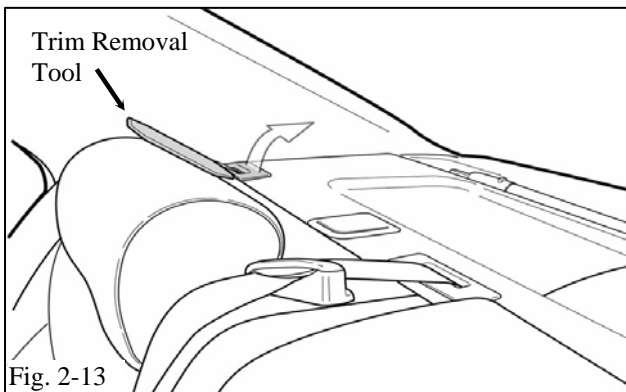
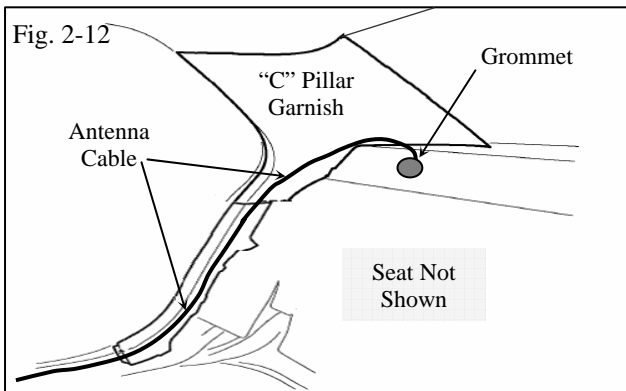
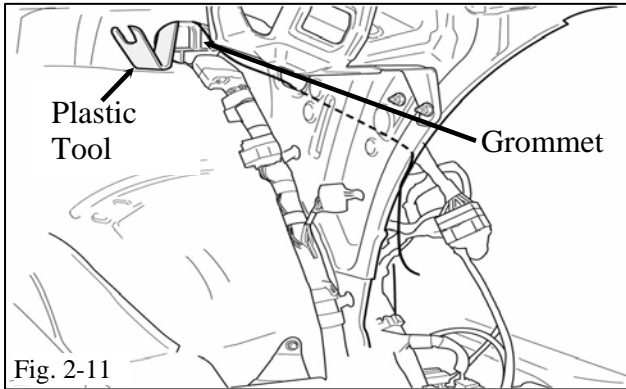
(i) "B" Pillar Wiring.

(1) Route cable next to factory harness and install 2 lock ties as shown. (Fig. 2-9)



(j) Rear Scuff Plate Wiring.

(1) Route cable next to factory harness and install 2 lock ties as shown. (Fig. 2-10)



(k) Route Cable Through Rubber Grommet Behind Rear Seat.

- (1) Access the rubber grommet from the trunk passenger side and insert a plastic trim removal tool into the rubber grommet in order to create an opening to insert the antenna into the trunk from the rear seat. (Fig. 2-11)
- (2) From the rear seat area continue routing the cable up the rear part of the door opening and tuck it in between the seat cushion and rear door scuff plate as shown. (Fig. 2-12)

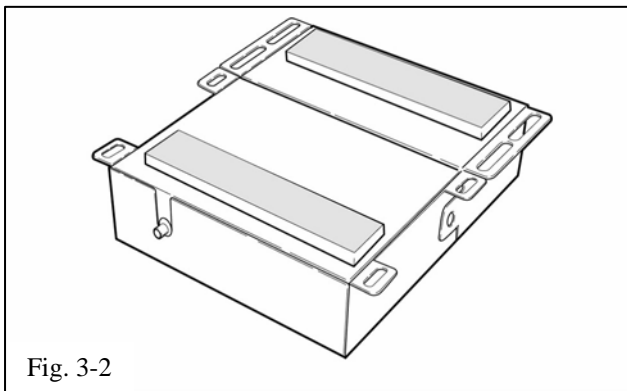
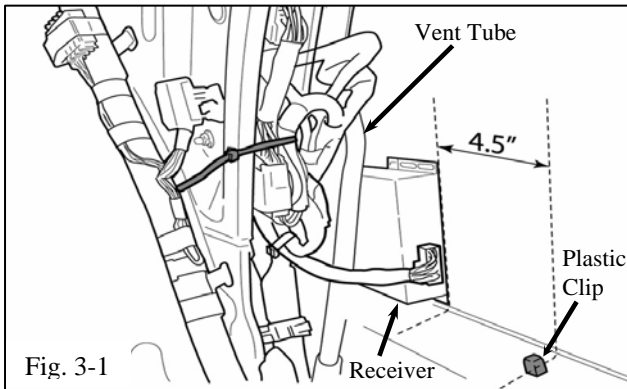
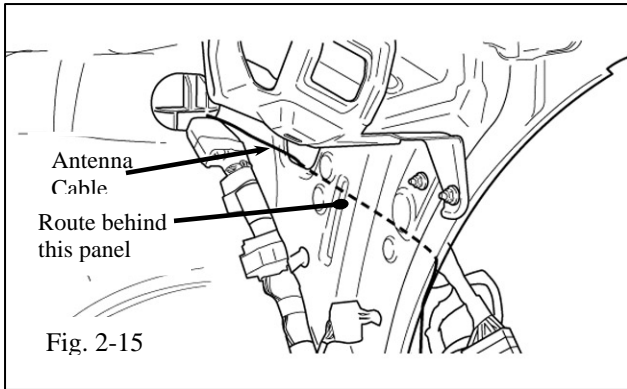
(3) Using a trim removal tool, remove the plastic cover for the rear seatbelt on the rear parcel shelf. This will ease access to the rear grommet. (Fig. 2-13)

**Note:** First time installer may want to remove the "C" pillar garnish and rear seat side cover as described in steps "k" & "l" to ease 1<sup>st</sup> time installation.

(4) By hand press firmly against the "C" pillar garnish in order to create an opening to insert your hand and the antenna cable under the parcel shelf. (Fig. 2-14)

(5) Feel around for the opening in the grommet and insert the end of the antenna cable through the opening. (Fig. 2-14)

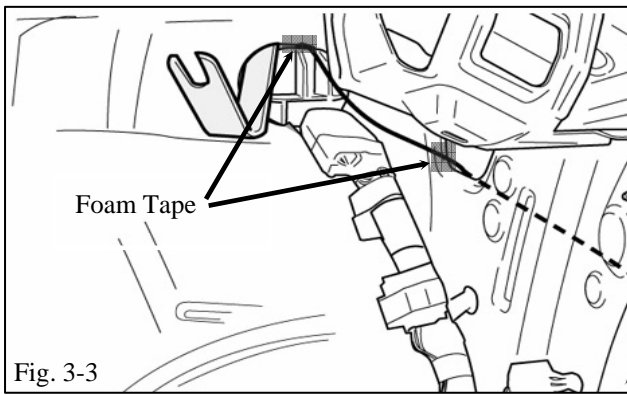




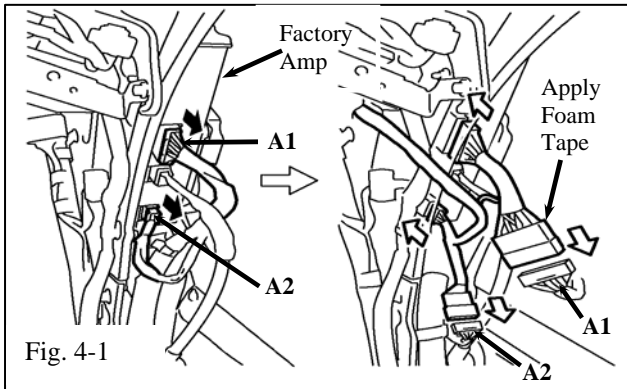
(6) From the trunk pull the cable into the trunk area and route behind the structure panel toward the location where the receiver will be installed. (Fig. 2-15)

### 3. Install the Receiver.

- (a) Clean the receiver mounting location with a damp rag. (Fig. 3-1)
  - (1) Receiver mounts in the trunk on the right rear quarter panel behind the vent tube. (Fig. 3-1)
  - (b) Measure forward approximately 4.5" from the plastic clip located in the right rear quarter panel to locate receiver mounting location. (Fig. 3-1)
  - (c) Clean back of the receiver with approved cleaner and install 2 pieces of double sided tape on the back of the receiver module as shown. (Fig. 3-2)
- ⚠ Note:** Mounting location must be completely dry & installation temperature must be between 60° - 100° F before mounting the tape pads.
- (d) Plug the antenna cable into the receiver.
  - (e) Pull the protective covers off the double-sided tape and mount the receiver to the right rear quarter panel as shown. (Fig. 3-1)
  - (1) Apply firm pressure to the receiver to assure complete wet-out of the tape and a secure fit.



- (f) Apply foam tape.
  - (1) Apply foam tape to sharp edges where antenna cable passes through the grommet hole and opening in structure panel as shown. (Fig. 3-3)

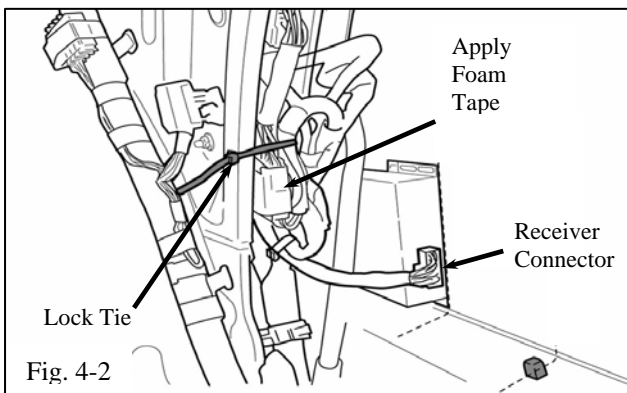


#### 4. Installing the Receiver Harness.



**NOTE:** Be careful not to damage the wire harness on the vehicle side.

- (a) Disconnect the two (2) stereo component amplifier connectors A1 & A2 shown on the left side of Fig. 4-1.
- (b) Connect the 2 matching receiver harness connectors back into the amplifier where connectors A1 & A2 were just removed as shown on the right side of Fig. 4-1.
- (c) Reconnect connectors A1 & A2 into the matching connectors on the receiver harness as shown on the right side of Fig. 4-1.
- (d) Apply foam tape to the A1 connection as shown in Fig. 4-1 & 4-2.
- (e) Run the remaining receiver harness connector over to the receiver and plug in the connector as shown. (Fig 4-2)
- (f) Coil up and foam tape any extra antenna cable and then lock tie the receiver harness and antenna cable behind the structure panel as shown. (Fig. 4-2)



**NOTE:** Clip all lock ties after tightening

**5. In Process Functional Test.**


- (a) Temporarily reconnect battery negative cable.
- (b) Turn ignition key to ACC position.
- (c) Press the power button on the receiver/player head unit. Verify the backlighting illuminates.
- (d) Press and release the "SAT" button on the head unit.
  - (1) Verify that a satellite channel is received, or a "NO SIGNAL" message appears on the display.

**NOTE:** If "ANTENNA" appears (flashing) on the display - then one or both of the antenna cables are disconnected from the satellite tuner.



**NOTE:** If the head unit will not tune or go into satellite mode - then the tuner cable is disconnected from the satellite tuner.


- (e) Disconnect battery negative cable.

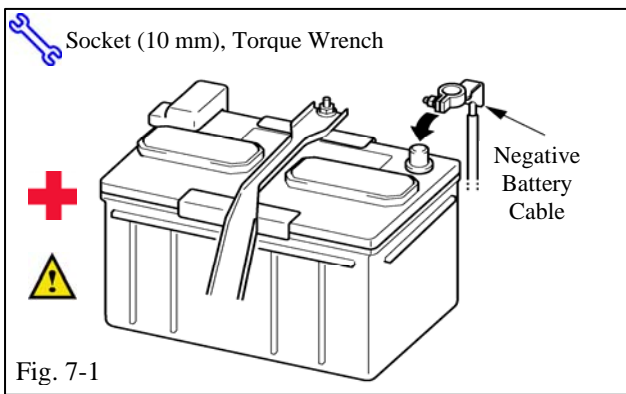
**6. Complete the Reassembly of Vehicle.**

-  (a) Verify the panels fit together properly with no uneven gaps between them.

**7. Reconnect Battery Cable.**

- (a) Reconnect the vehicle's negative battery cable. (Fig. 7-1)
  - (1) Reconnect the negative terminal back to its original position.
  -  (2) Tighten the nut to 4.1 N-m (36 lbf-in).
  -  (3) Do not touch the positive terminal with any tool when replacing the cable.
- (b) Clean up and remove any trash.

-  (c) Place the owner "SIRIUS Satellite Radio" brochure and the "Owners Manual" in the glove box.



Checklist - these points **MUST** be checked to ensure a quality installation.

Check:	Look For:
<p><u>Accessory Function Checks</u></p> <p><input type="checkbox"/> Satellite Radio Tuner</p> <p><input type="checkbox"/> Receiver/player Assembly</p>	<p><u>Look For:</u></p> <p>*Verify the proper operation of the Satellite Radio Tuner.</p> <p>*Verify the proper operation of the Receiver/player Assembly</p> <p>*Verify both AM &amp; FM have good reception.</p> <p>*(Refer to the receiver assembly and radio owner's manuals.)</p>
<p><u>Vehicle Function Checks</u></p> <p><input type="checkbox"/> Hazard switch</p> <p><input type="checkbox"/> Navigation System (if equipped)</p> <p><input type="checkbox"/> HVAC</p> <p><input type="checkbox"/> Multi-information displays. (Clock, Temp., and MPG meter)</p> <p><input type="checkbox"/> Operation of the L&amp;R seat heater switch</p> <p><input type="checkbox"/> Operation of the 12V outlet switch</p> <p><input type="checkbox"/> Refer to your Auto Repair Manual, and return the electric Moon Roof to its initial position.</p> <p><input type="checkbox"/> Rear Sunshade</p> <p><input type="checkbox"/> Suspension Control Switch</p>	<p>Proper operation of the hazard switch</p> <p>Functioning NAV System</p> <p>Proper operation of the air conditioning system</p> <p>Verify the proper operation of the multi-information displays.</p> <p>Verify the proper operation of the L&amp;R seat heater switch.</p> <p>Verify the proper operation of the 12V outlet switch.</p> <p>Electric Moon Roof Auto-open and Auto-close functions operate correctly.</p> <p>Functioning</p> <p>Functioning</p>