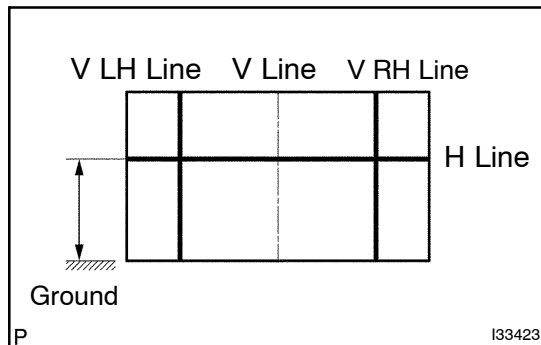


ADJUSTMENT

1. HEADLIGHT AIM ONLY

HINT:

- Perform aim adjustment with low-beam.
 - Since the low-beam lamp and the high-beam lamp are a unit, if aiming on either side is correct, the other side should also be correct. However, check both beams just to make sure.
- (a) Prepare the vehicle by performing the following.
- Make sure the body around the headlamps has no damage or deformation.
 - Fill the fuel tank to full.
 - Inflate the tires to an appropriate pressure (see page 28-1).
 - Make sure the vehicle is on a level surface.
 - Sit a person weighting approximately 68 kg (150 lb) in the driver seat.
 - Bounce the vehicle up and down to settle the vehicle suspension.



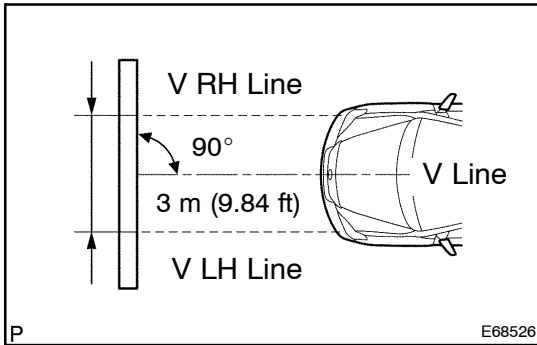
- (b) Prepare a piece of thick white paper (Draw base lines).

HINT:

- Stand the paper perpendicularly against a wall.
 - The base lines differ for "Low-beam inspection" and "High-beam inspection".
- (1) V line (Vehicle center position)
Draw a vertical line down the center of the paper to align with the center of the vehicle.
- (2) H line (Headlamp height)
Draw a horizontal line across the paper so that it is at the same height as the center mark of the low-beam lamp on the vehicle.
- (3) V LH line, V RH line (Center mark position of right and left headlamps)
Draw vertical lines on the left and right sides of the paper so that they line up with the center mark on the low-beam lights on the vehicle.

HINT:

Follow the same procedures when adjusting the high-beam lights.



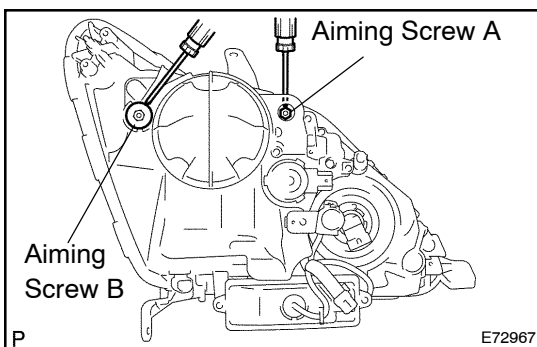
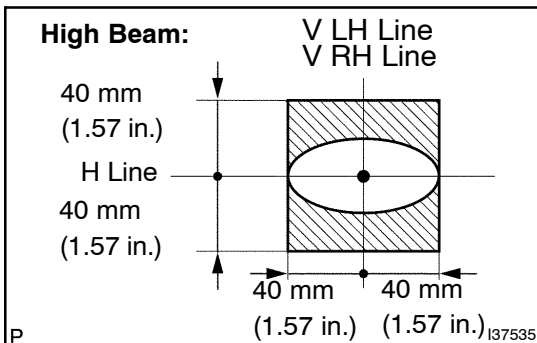
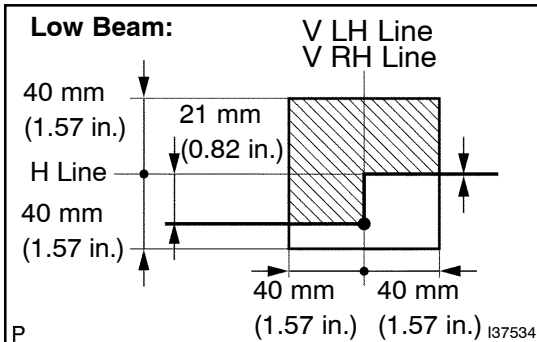
- (c) Check headlamp aim.
- (1) Align the paper and vehicle.
 - Make a distance of 3 m (9.84 ft) between the headlamps and the paper. Place the paper against a wall with the H line at the same height as the center mark.
 - Align the center of the vehicle with the V line on the paper. Ensure that the paper forms a 90° angle to the V line.
 - (2) Start the engine.
 - (3) Turn on the headlamps and check that the aim is within the specified range shown in the illustration.

NOTICE:

- **When covering the headlamps, finish it within 3 minutes.**
- **The headlamp lens is made of synthetic resin, so it is easily melted or damaged due to heat.**

HINT:

When checking the aim of the high-beam, shut off the low-beam or disconnect the low-beam headlamp connector.



- (d) Adjust the aim in the vertical direction:
Using a screwdriver, adjust the headlamp aim into the specified range by turning aiming screw A and B.

NOTICE:

- **Adjust the headlamp aim by turning the screw in the tightening direction.**
- **When the screw is tightened excessively, loosen it once and retighten it to adjust the headlamp aim.**

HINT:

The headlamp aim moves down when turning the screw clockwise, and it moves up when turning the screw counterclockwise.