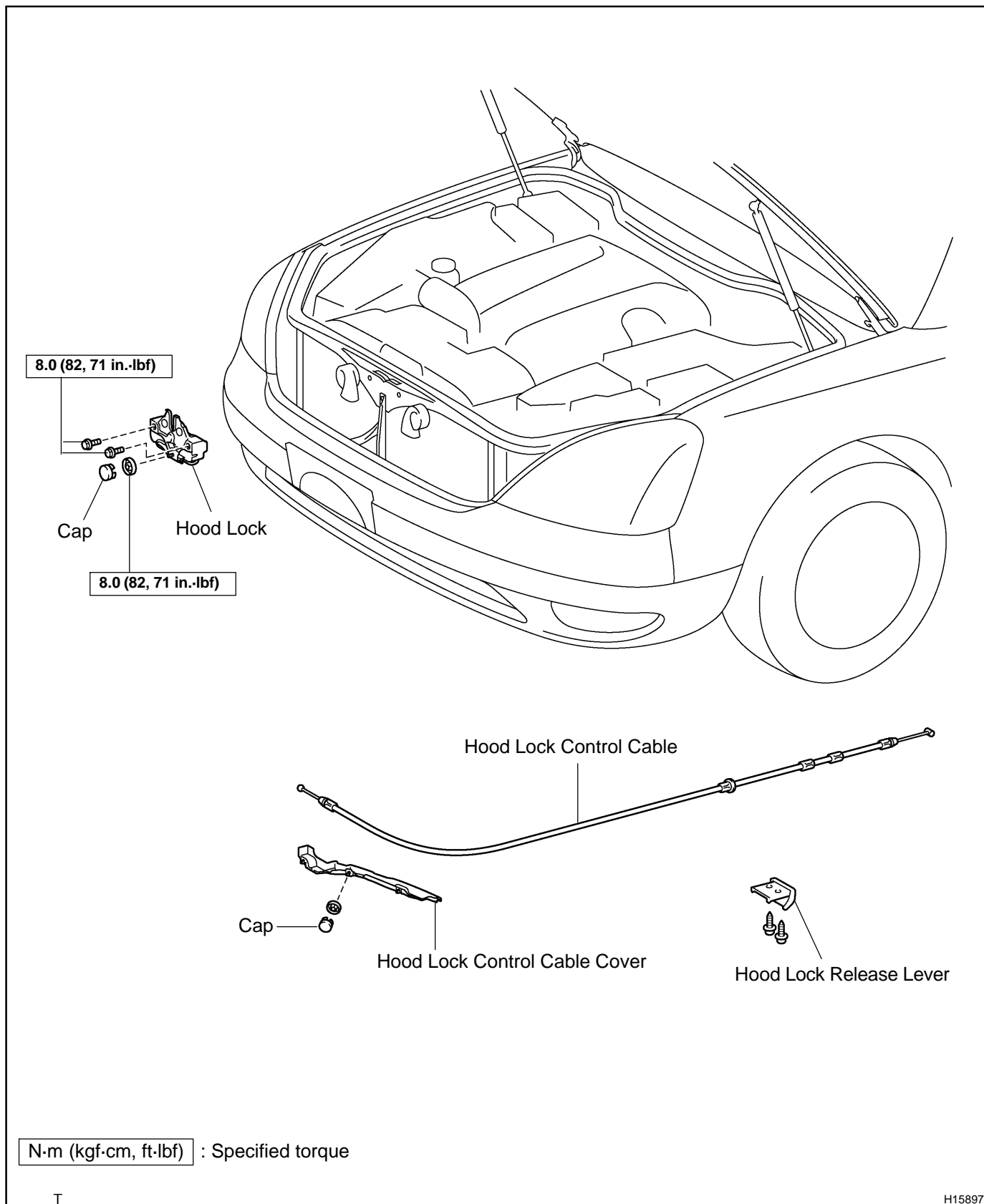
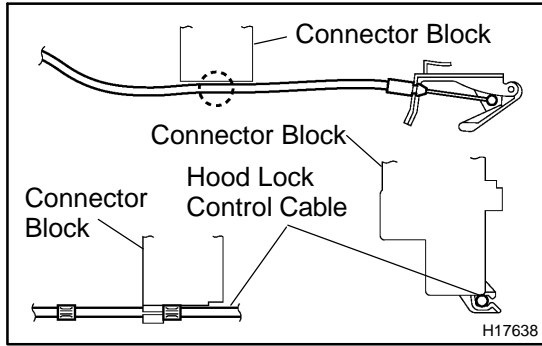


# HOOD LOCK CONTROL COMPONENTS

BOONT-04

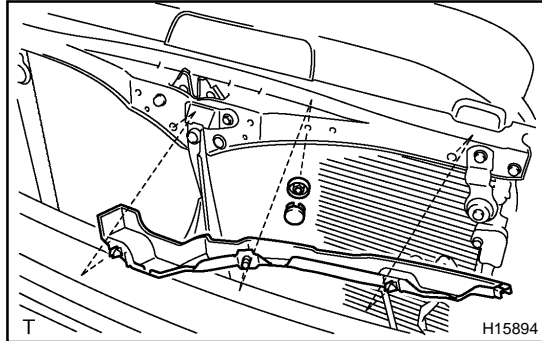




## REMOVAL

### 1. REMOVE HOOD LOCK RELEASE LEVER

- (a) Remove the 2 screws and disconnect the hood lock release lever.
- (b) Disconnect the hood lock control cable.



### 2. REMOVE HOOD LOCK CONTROL CABLE COVER

- (a) Using a screwdriver, remove the cap.

HINT:

Tape the screwdriver tip before use.

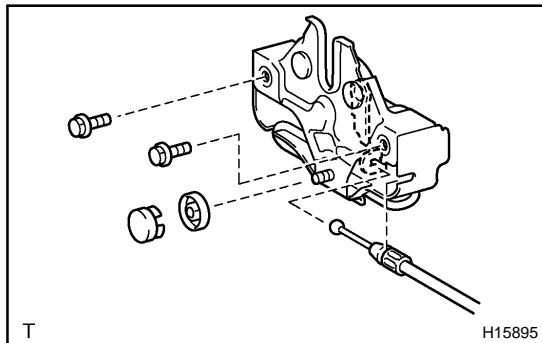
- (b) Remove the nut and hood lock control cable cover.

### 3. REMOVE HOOD LOCK

- (a) Using a screwdriver, remove the cap.

HINT:

Tape the screwdriver tip before use.



- (b) Remove the 2 bolts, nut and hood lock.

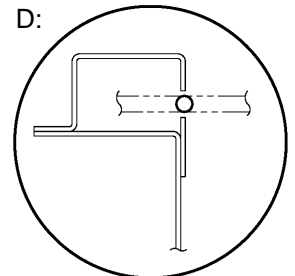
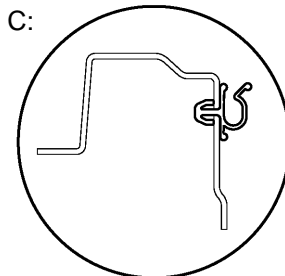
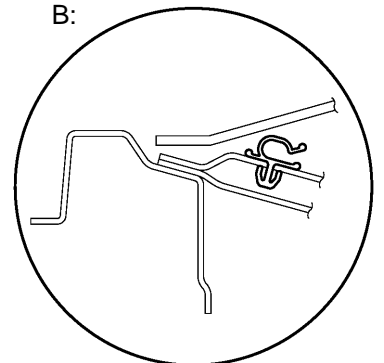
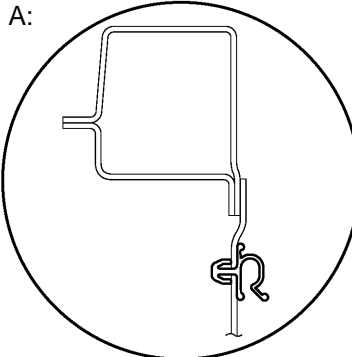
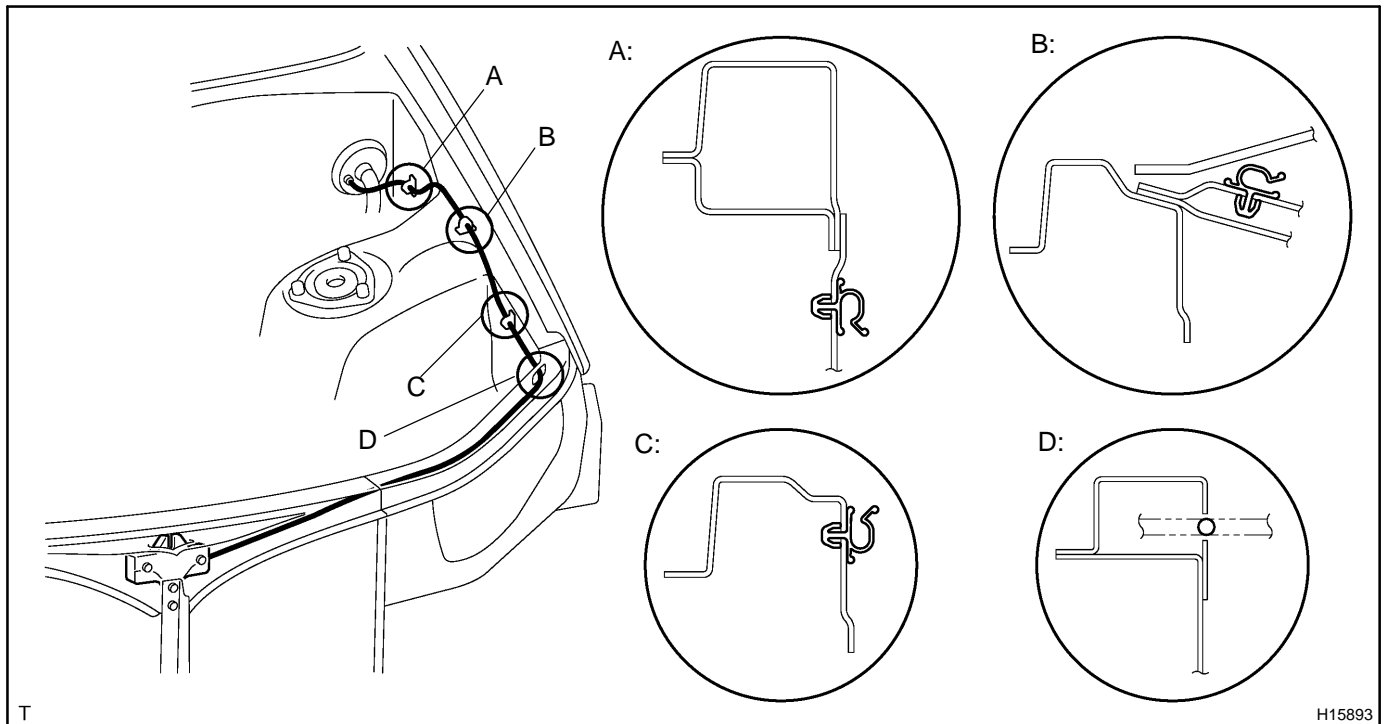
- (c) Disconnect the hood lock control cable.

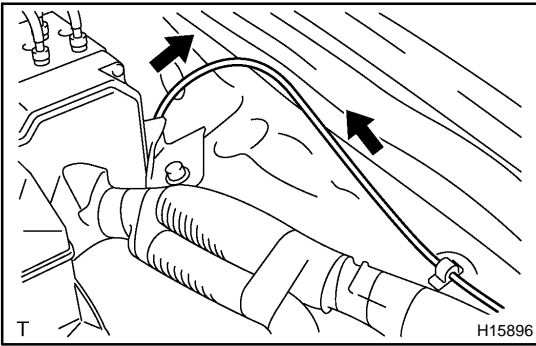
### 4. REMOVE HOOD LOCK CONTROL CABLE

- (a) Using a screwdriver, disconnect the cable clamps as shown in the illustration below.

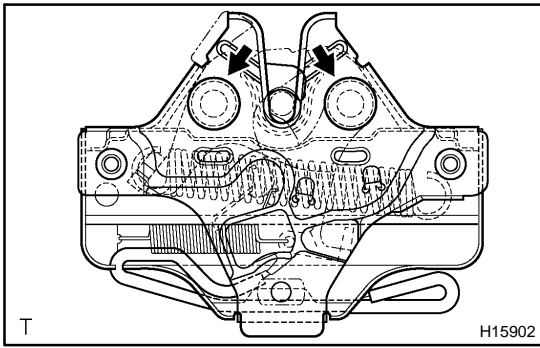
HINT:

Tape the screwdriver tip before use.





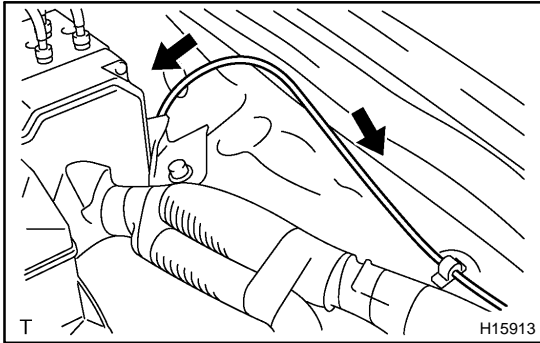
- (b) Pull the cable from the engine room to remove it.



## INSTALLATION

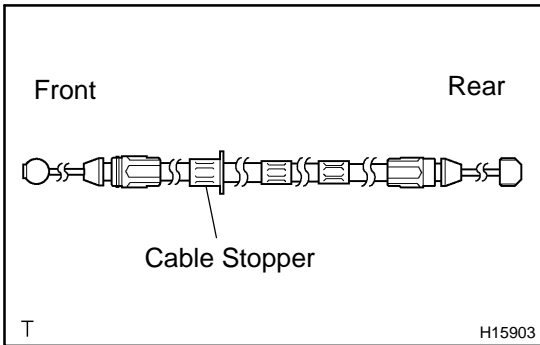
### 1. BEFORE INSTALLING PARTS, COAT LOCK WITH MP GREASE

Apply MP grease to the sliding surface of the lock.



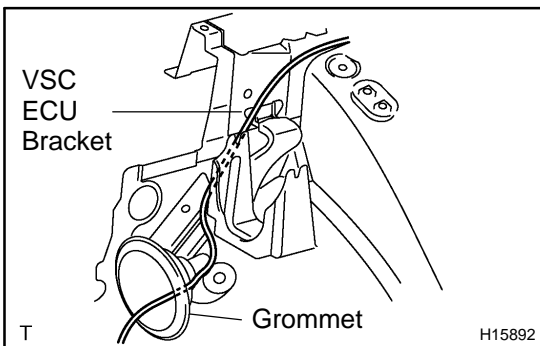
### 2. INSTALL HOOD LOCK CONTROL CABLE

(a) Pass the cable to engine room.



(b) Pass the cable rear side through the grommet until the cable stopper is attached to the grommet.

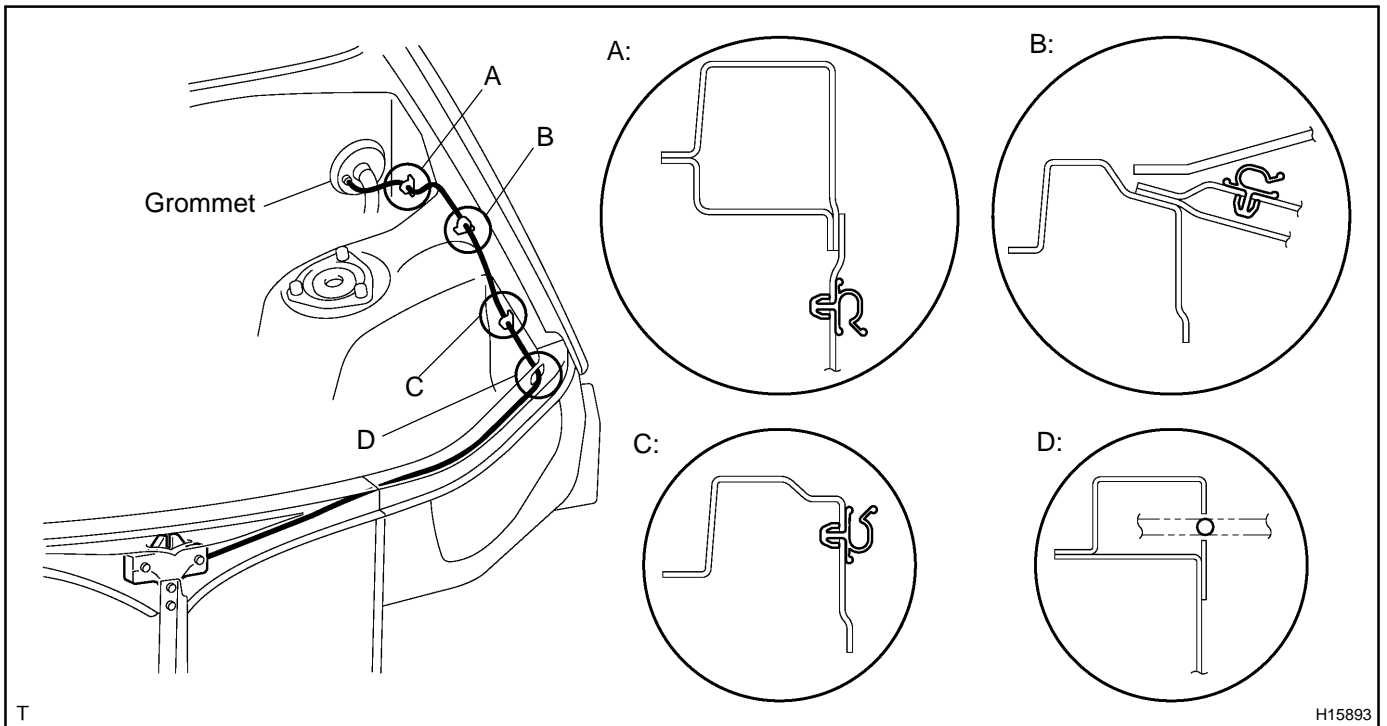
(c) Pass the cable front side through the upper radiator support.



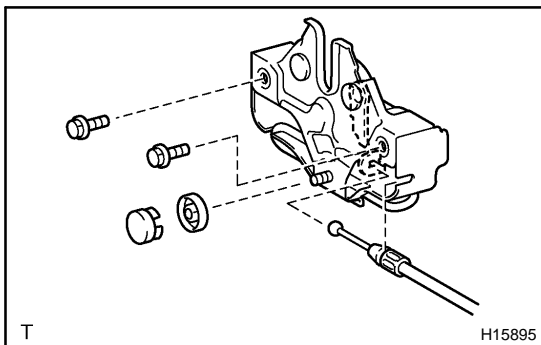
### HINT:

Pass the cable to the upper of the VSC ECU bracket as shown in the illustration.

(d) Connect the cable clamps as shown in the illustration below.



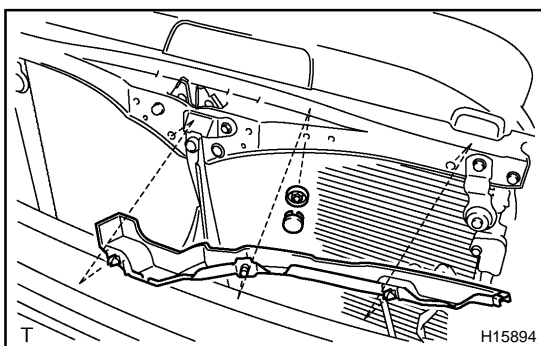
H15893



H15895

### 3. INSTALL HOOD LOCK

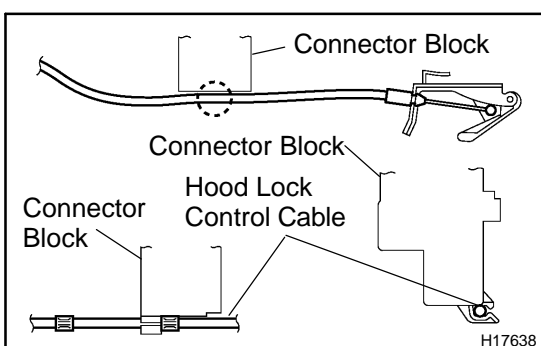
- (a) Connect the hood lock control cable.
- (b) Install the hood lock with the 2 bolts and nut.  
**Torque: 8.0 N-m (82 kgf-cm, 71 in.-lbf)**
- (c) Install the cap.



H15894

### 4. INSTALL HOOD LOCK CONTROL CABLE COVER

- (a) Install the hood lock control cable cover with the nut.
- (b) Install the cap.



H17638

### 5. INSTALL HOOD LOCK RELEASE LEVER

- (a) Connect the hood lock control cable as shown in the illustration.
- (b) Connect the hood lock release lever with the 2 screws.

### 6. CHECK HOOD LOCK CONTROL FOR PROPER OPERATION

After checking for proper operation, tighten the 2 bolts and nut to install the lock.

**Torque: 8.0 N-m (82 kgf-cm, 71 in.-lbf)**