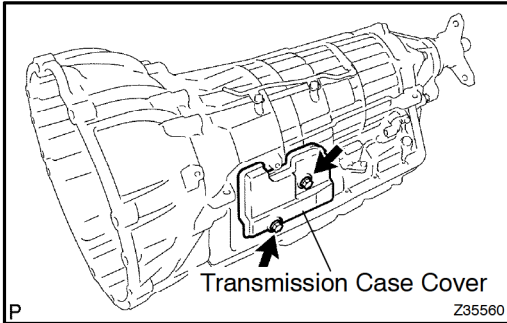


# AUTOMATIC TRANSMISSION FLUID ADJUSTMENT

40171-01

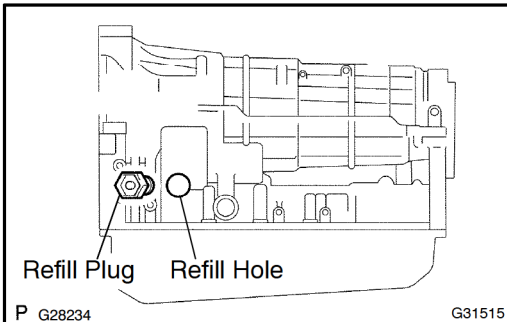


## 1. BEFORE TRANSMISSION FILL

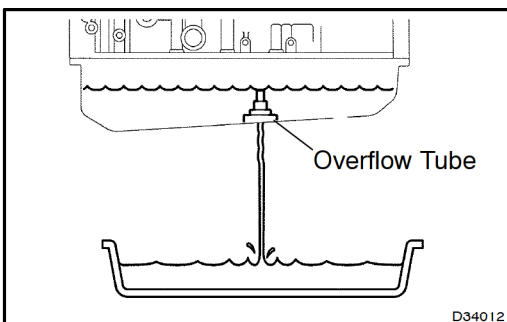
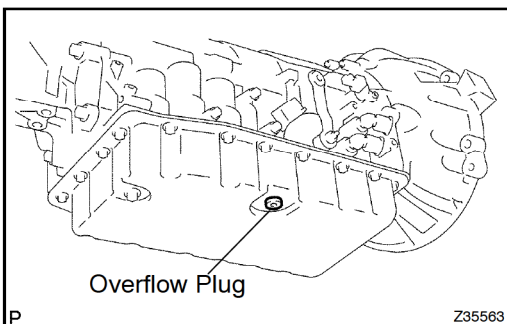
- This transmission requires Toyota Genuine ATF WS.
- It is necessary to refill the transmission with the correct amount of fluid.
- The vehicle must remain level while adjusting fluid level.

## 2. TRANSMISSION PAN FILL

- (a) Remove the two bolts and transmission case cover.



- (b) Remove the refill plug and overflow plug.



- (c) Fill the transmission through the refill hole until fluid begins to trickle out of the overflow tube.
- (d) Reinstall the overflow plug.

### 3. TRANSMISSION FILL

- (a) Fill the transmission with the correct amount of fluid as listed in the table below.
- (b) Reinstall the refill plug to avoid fluid splash.

Performed Repair	Fill Amount
Removal of oil pan (including oil drain)	1.3 liters (1.4 US qts, 1.1 Imp. qts)
Removal of transmission valve body	3.9 liters (4.1 US qts, 3.4 Imp. qts)
Removal of torque converter	5.3 liters (5.6 US qts, 4.75 Imp. qts)

#### HINT:

If you cannot add the listed amount of fluid, do the following:

- (1) Install the refill plug.
- (2) Allow the engine to idle with air conditioning OFF.
- (3) Move the shift lever through entire gear range to circulate fluid.
- (4) Wait for 30 seconds with the engine idling.
- (5) Stop the engine.
- (6) Remove the refill plug and add fluid.
- (7) Reinstall the refill plug.

### 4. FLUID CIRCULATION

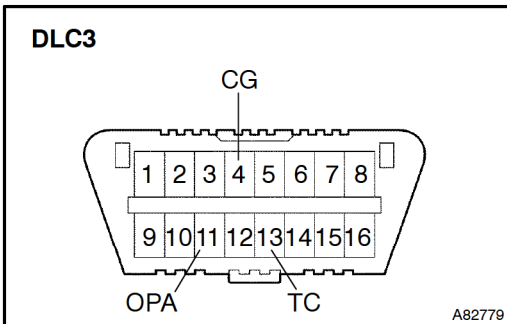
- (a) Allow the engine to idle with the air conditioning OFF.
- (b) Move the shift lever through entire gear range to circulate the fluid.

### 5. FLUID TEMPERATURE CHECK

#### NOTICE:

- On vehicles equipped with air suspension, perform step (c) if it necessary to jack up the vehicle while the engine running.
- The fluid temperature should be less than 30°C (86°F) before beginning the fluid temperature check.

- (a) With hand-held tester
  - (1) Connect the hand-held tester to the DLC3.
  - (2) Select the tester menus: OBD/MOBD, ENGINE, DATA LIST and A/T.
  - (3) Check A/T OIL TEMP.
  - (4) Allow the engine to idle until the fluid temperature reaches 46°C (115°F).
- (b) Without hand-held tester (Using D shift indicator)
  - (1) Connect terminals between CG (4) and TC (13) of the DLC3 using SST (09843-18040).
  - (2) Move the shift lever back and forth between N and D every 1.5 seconds for six seconds.
  - (3) The D shift indicator on the combination meter comes on for two seconds. This indicates that the fluid temperature check mode has been started.
  - (4) The D shift indicator will come on again when the fluid temperature reaches 46°C (115°F) and will blink when it exceeds 56°C (130°F).
  - (5) Allow the engine to idle until the fluid temperature reaches 46°C (115°F).



- (c) For vehicles with air suspension (Using D shift indicator)
- (1) Connect terminals between CG (4), OPA (11) and TC (13) of the DLC3 using SST (09843-18040). Terminal OPA is connected to prevent air suspension height adjustment from occurring when the vehicle is lifted off the ground with the engine running.
  - (2) Move the shift lever back and forth between N and D at 1.5 seconds interval for six seconds.
  - (3) The D shift indicator on the combination meter comes on for two seconds. This indicates that the fluid temperature check mode has been started.
  - (4) The D shift indicator comes on again when the fluid temperature reaches 46°C (115°F) and will blink when it exceeds 56°C (130°F).
  - (5) Allow the engine to idle until the fluid temperature reaches 46°C (115°F).

## 6. FLUID LEVEL CHECK

### NOTICE:

**The fluid temperature must be between 46°C (115°F) and 56°C (130°F) to accurately check the fluid level.**

- (a) Remove the overflow plug with the engine idling.
- (b) Check that the fluid comes out of the overflow tube.
  - If fluid does not come out, proceed to step 7
  - If fluid comes out, wait until the over-flow slows to a trickle and proceed to step 8.

## 7. TRANSMISSION REFILL

- (a) Install the overflow plug.
- (b) Stop the engine.
- (c) Remove the refill plug.
- (d) Add 0.4 liters (0.42 US qts, 0.35 Imp. qts) of fluid.
- (e) Allow the engine to idle and wait for 10 seconds.
- (f) Proceed to step 6.

## 8. COMPLETE

- (a) Install the overflow plug with a new gasket.
- (b) Stop the engine.
- (c) Install the refill plug with a new gasket.
- (d) Install the transmission case cover with the two bolts.

### Torque:

**20 N·m (205 kgf·cm, 15 ft·lbf) for overflow plug**  
**39 N·m (400 kgf·cm, 29 ft·lbf) for refill plug**

