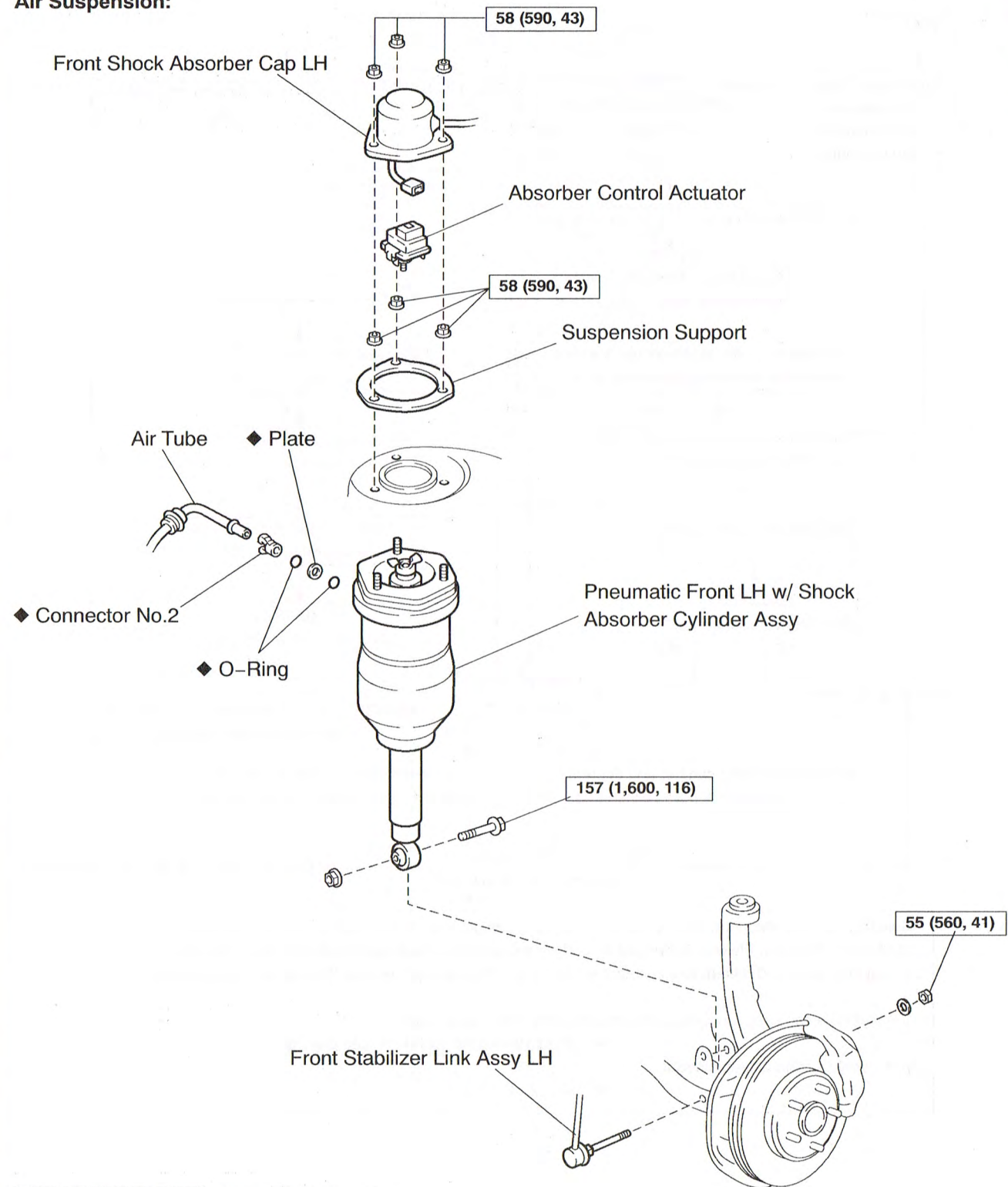


# FRONT SUSPENSION COMPONENTS

260GV-01

## Air Suspension:



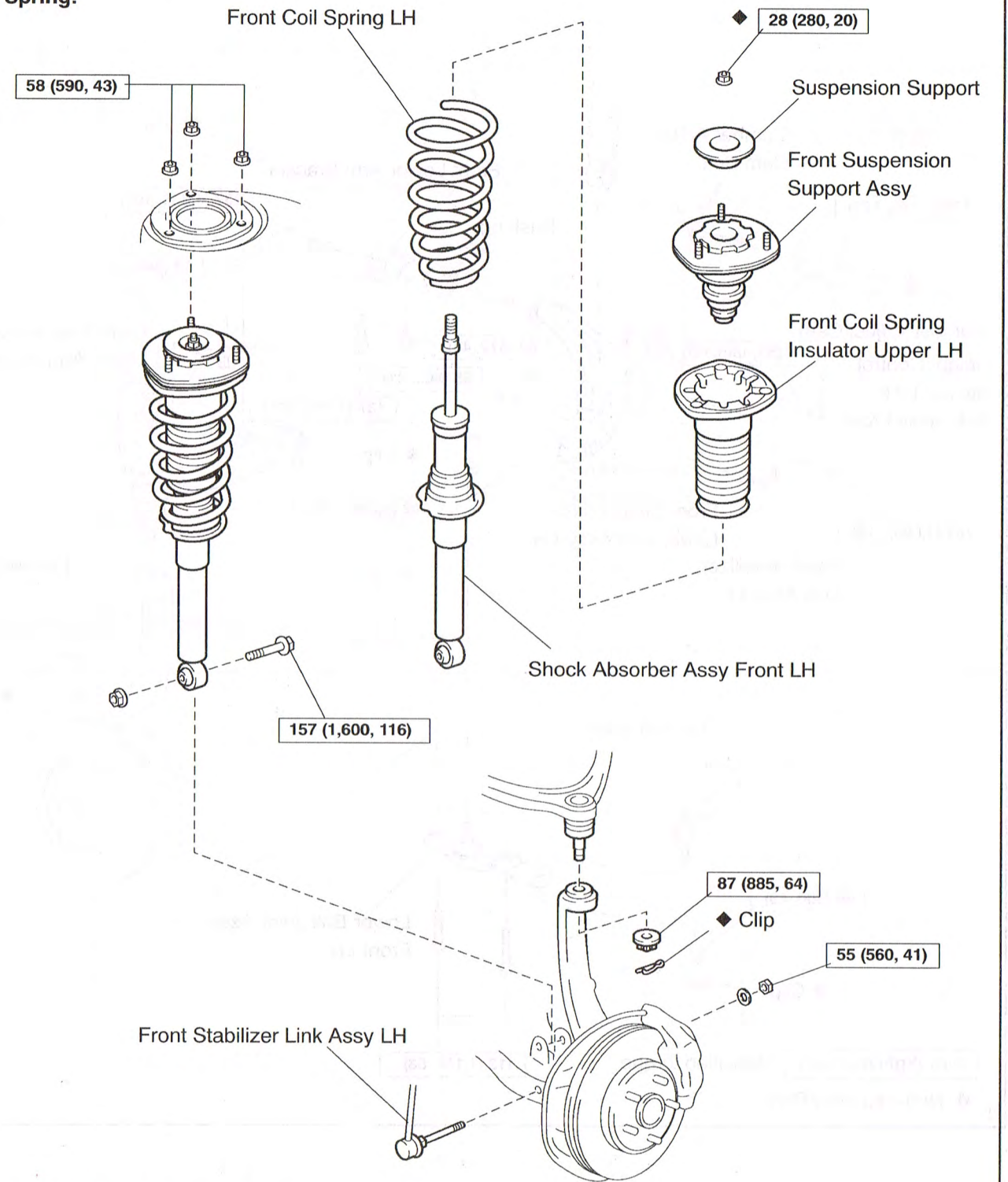
N-m (kgf-cm, ft-lbf) : Specified torque

◆: Non-reusable Part

N

F46719

## Coil Spring:



N-m (kgf-cm, ft-lbf) : Specified torque

◆: Non-reusable Part

N

F46718

