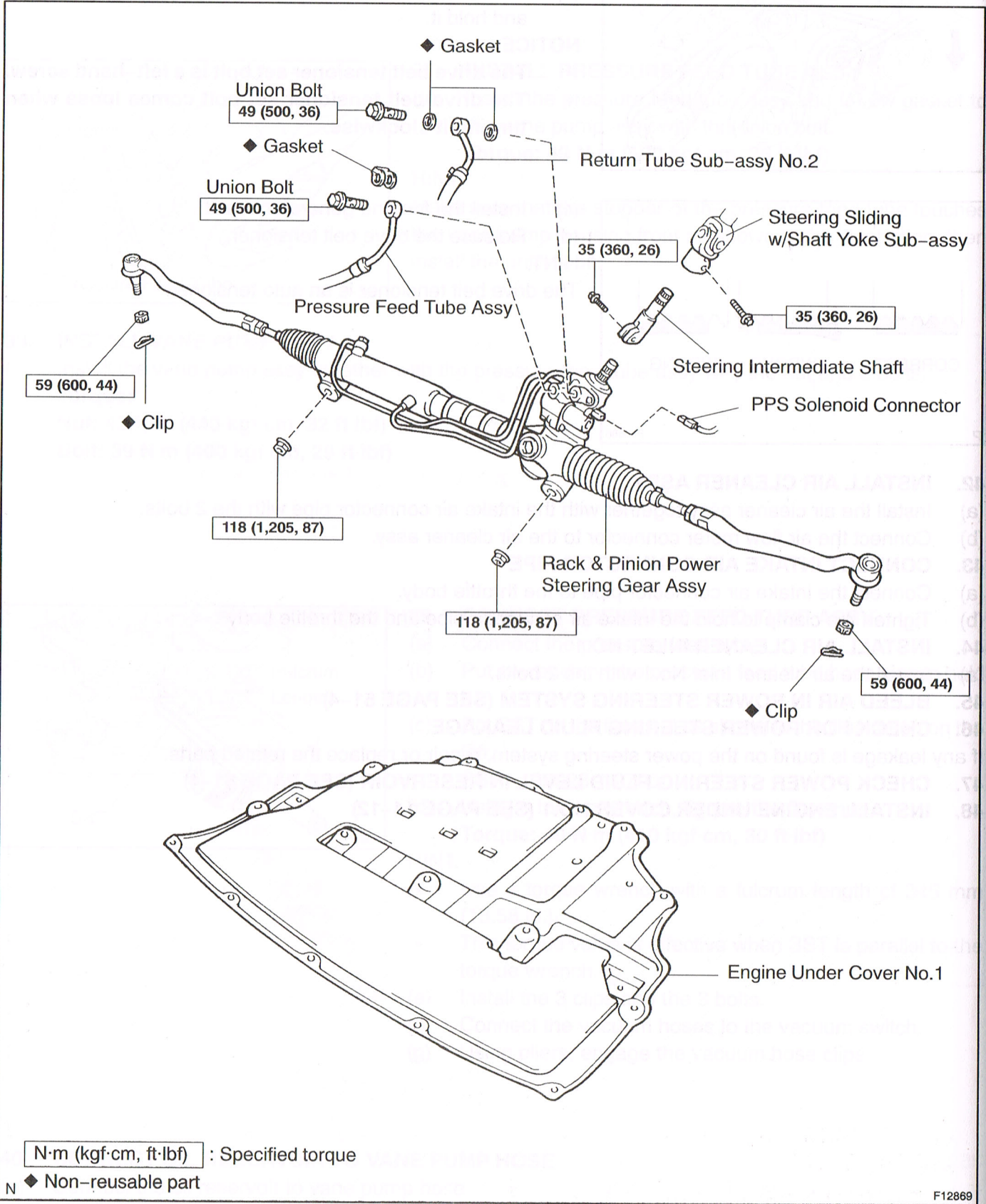
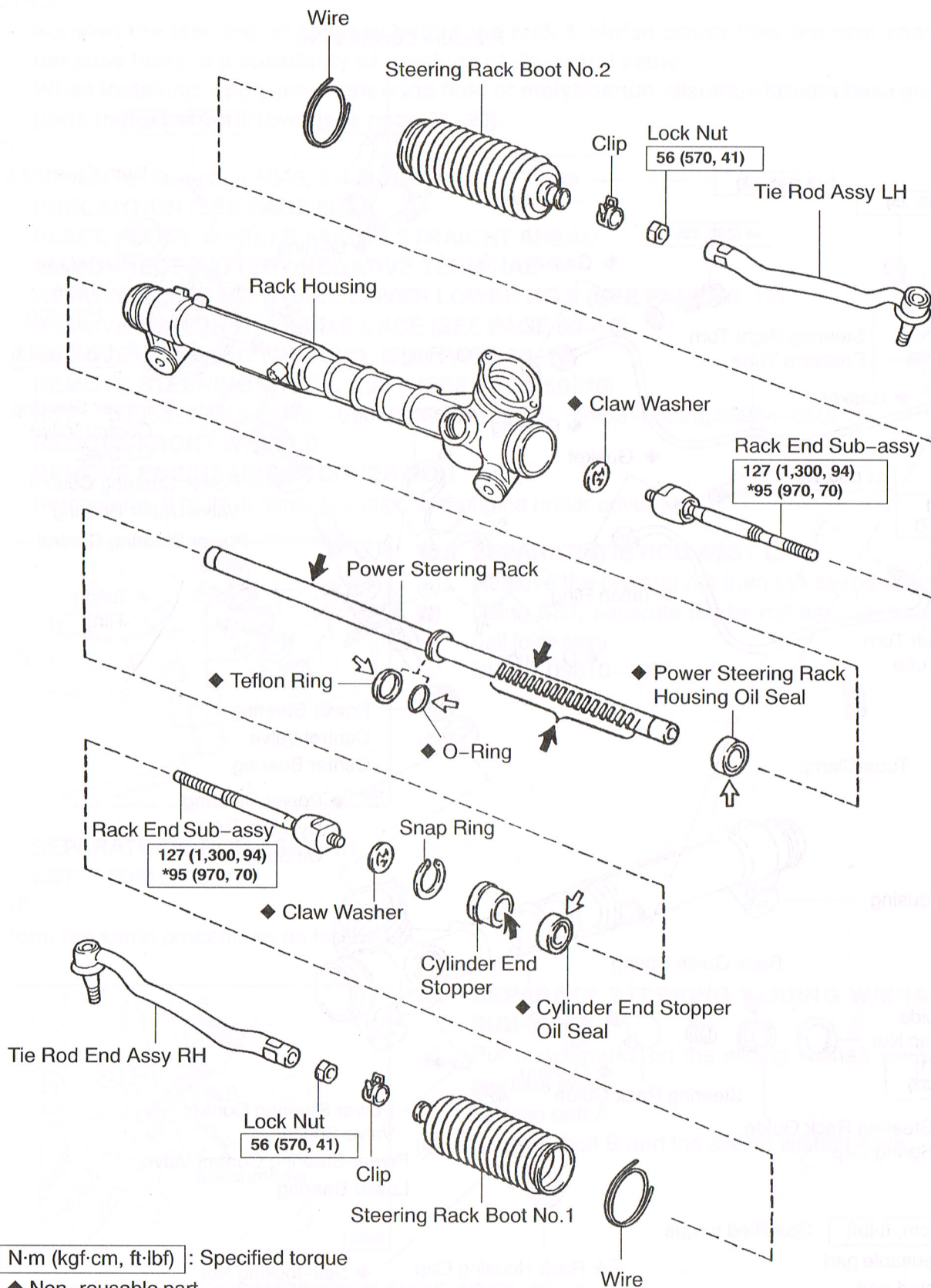


RACK & PINION POWER STEERING GEAR ASSY COMPONENTS

510DS-04





N·m (kgf·cm, ft·lbf) : Specified torque

◆ Non-reusable part

◀ Molybdenum disulfide lithium base grease

⇨ Power steering fluid

* For use with SST

