

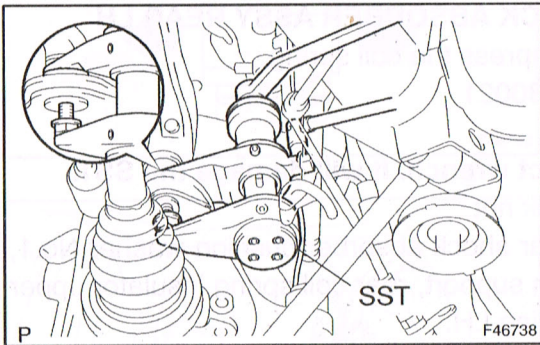
SHOCK ABSORBER ASSY REAR LH

REPLACEMENT

270H5-01

HINT:

- Use the same procedures for the RH side and LH side.
 - The procedures listed below are for the LH side.
1. REMOVE REAR SEAT CUSHION ASSY (SEE PAGE 72-13 OR 72-19)
 2. REMOVE REAR SEATBACK ASSY (SEE PAGE 72-13 OR 72-19)
 3. REMOVE REAR DOOR SCUFF PLATE RH
 4. REMOVE REAR DOOR SCUFF PLATE LH
 5. REMOVE REAR DOOR OPENING TRIM WEATHERSTRIP RH (SEE PAGE 75-31)
 6. REMOVE REAR DOOR OPENING TRIM WEATHERSTRIP LH (SEE PAGE 75-31)
 7. REMOVE REAR SEAT SIDE COVER RH
 8. REMOVE REAR SEAT SIDE COVER LH
 9. REMOVE ROOF SIDE GARNISH INNER RH
 10. REMOVE ROOF SIDE GARNISH INNER LH
 11. REMOVE CENTER STOP LAMP ASSY (SEE PAGE 65-22)
 12. REMOVE PACKAGE TRAY TRIM PANEL ASSY
 13. REMOVE REAR WHEEL



14. SEPARATE REAR AXLE CARRIER SUB-ASSY LH

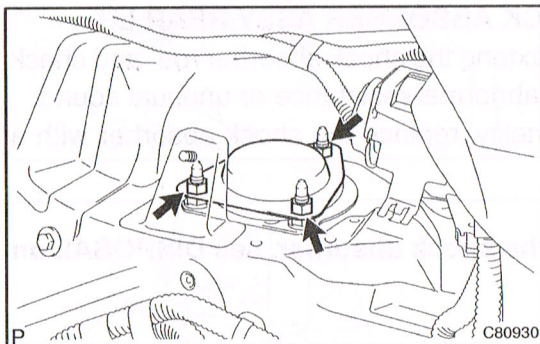
- (a) Loosen the upper control arm assy rear LH lock nut.

NOTICE:

Do not remove the nut.

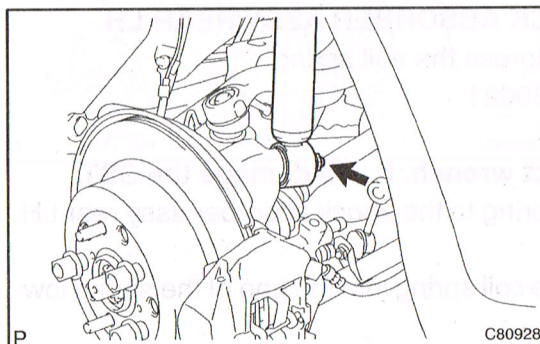
- (b) Using SST, separate the rear axle carrier sub-assy LH from the upper control arm assy rear LH.

SST 09628-00011



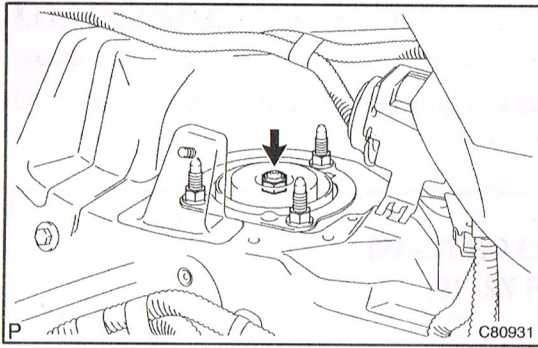
15. REMOVE REAR SHOCK ABSORBER CAP LH

- (a) Remove the 3 nuts and rear shock absorber cap LH.



16. REMOVE REAR SHOCK ABSORBER WITH COIL SPRING

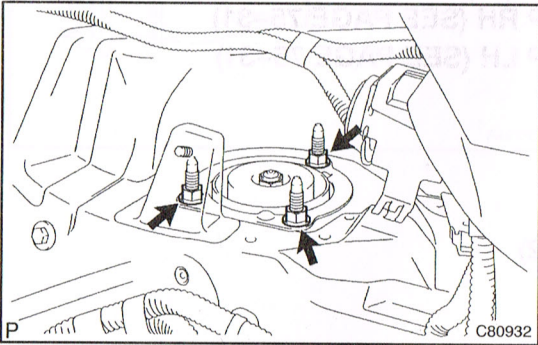
- (a) Remove the shock absorber with coil spring lower side nut and washer.



(b) Loosen the lock nut.

NOTICE:

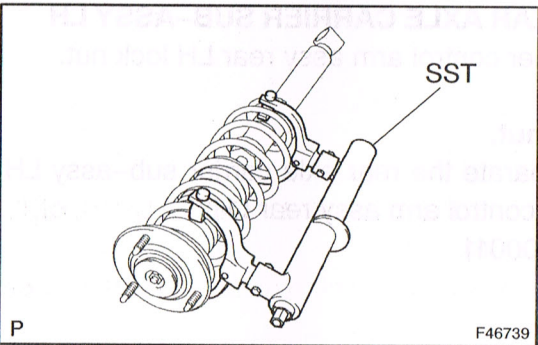
Do not remove the nut.



(c) Remove the rear shock absorber with coil spring upper side 3 nuts.

(d) Remove the upper control arm assy rear LH lock nut.

(e) Remove the rear shock absorber with coil spring.



17. REMOVE SHOCK ABSORBER ASSY REAR LH

(a) Using SST, compress the coil spring.

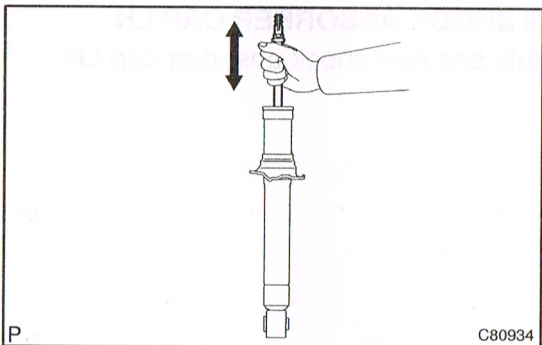
SST 09727-30021

NOTICE:

Do not use an impact wrench. It will damage the SST.

(b) Remove the lock nut.

(c) Remove the rear shock absorber cushion washer No.1, rear suspension support, rear coil spring insulator upper LH, and coil spring LH.



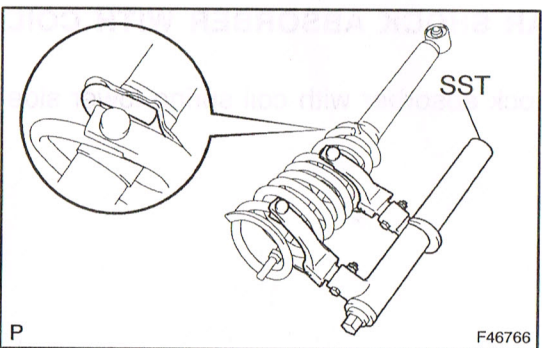
18. INSPECT SHOCK ABSORBER ASSY REAR LH

(a) Compress and extend the shock absorber rod, and check that there is no abnormal resistance or unusual sound.

If there is any abnormality, replace the shock absorber with a new one.

NOTICE:

When disposing of the shock absorber, see DISPOSAL on page 27-19.



19. INSTALL SHOCK ABSORBER ASSY REAR LH

(a) Using SST, compress the coil spring.

SST 09727-30021

NOTICE:

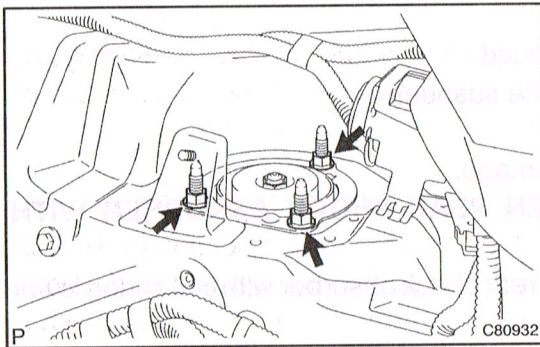
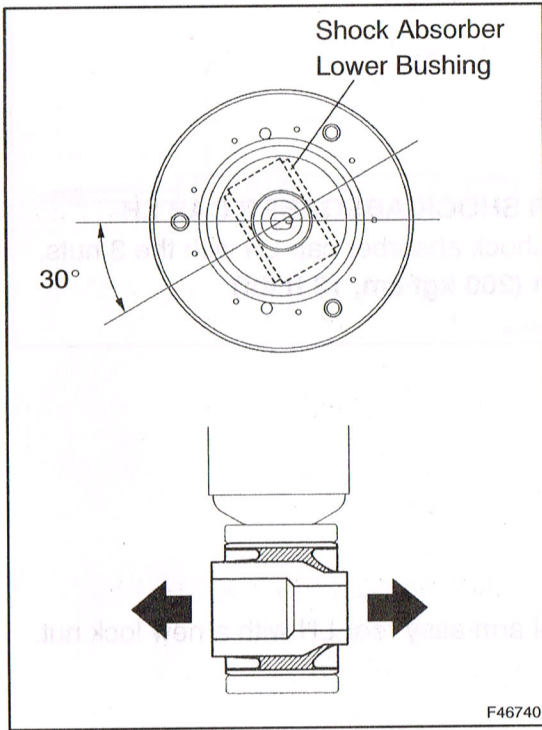
Do not use an impact wrench. It will damage the SST.

(b) Install the coil spring to the shock absorber assy rear LH.

HINT:

Fit the lower end of the coil spring into the gap of the spring lower seat.

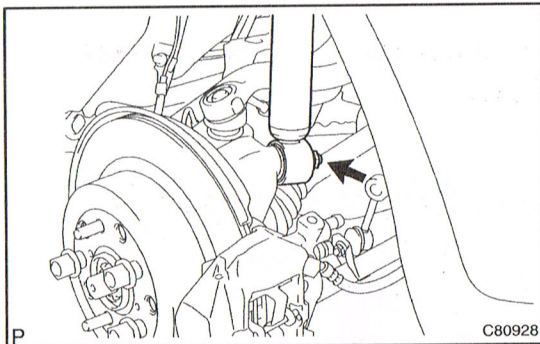
- (c) Install the rear coil spring insulator upper LH, rear suspension support and rear shock absorber cushion washer No.1.
- (d) Temporarily install a new lock nut.
- (e) Align the suspension support stud bolt position as shown in the illustration.



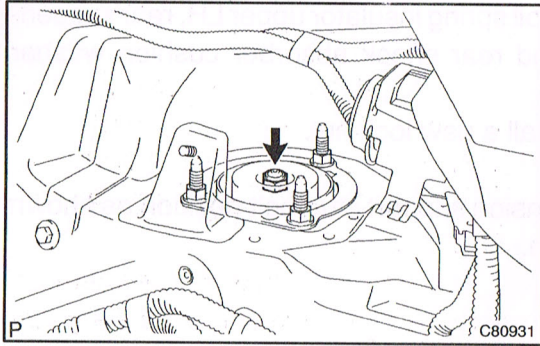
20. TEMPORARILY TIGHTEN REAR SHOCK ABSORBER WITH COIL SPRING

- (a) Install the 3 nuts on the upper side of the rear shock absorber with coil spring.

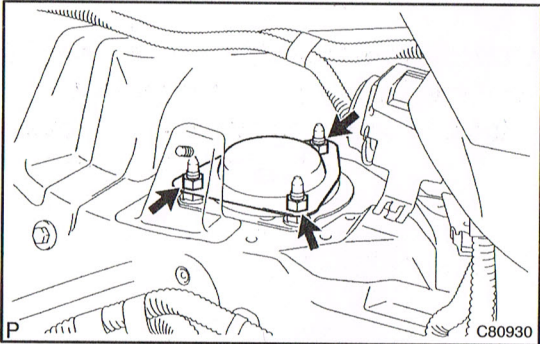
Torque: 64 N·m (650 kgf·cm, 47 ft·lbf)



- (b) Temporarily tighten the nut on the lower side of the rear shock absorber with coil spring.



- (c) Fully tighten the shock absorber lock nut.
Torque: 27 N·m (280 kgf·cm, 20 ft·lbf)



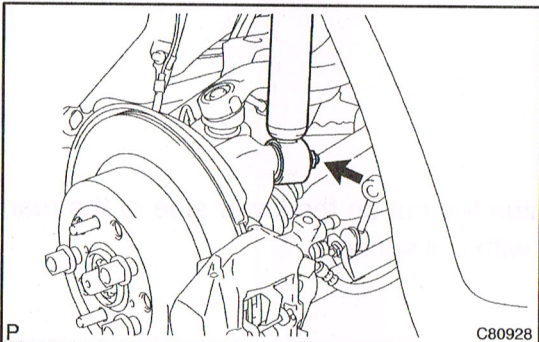
- 21. INSTALL REAR SHOCK ABSORBER CAP LH**
 (a) Install the rear shock absorber cap LH with the 3 nuts.
Torque: 25 N·m (260 kgf·cm, 18 ft·lbf)

22. INSTALL REAR AXLE CARRIER SUB-ASSY LH

- (a) Install the rear axle carrier sub-assy LH to the upper control arm assy rear LH with a new lock nut.
Torque: 70 N·m (720 kgf·cm, 52 ft·lbf)

23. STABILIZE SUSPENSION

- (a) Install the rear wheel.
Torque: 103 N·m (1,050 kgf·cm, 76 ft·lbf)
 (b) Jack down the vehicle slowly until all the tires are on the ground.
 (c) Bounce the vehicle up and down several times to stabilize the suspension.
 (d) Remove the rear wheels.
 (e) Jack up the rear axle carrier using a wood block to avoid damage.



24. FULLY TIGHTEN REAR SHOCK ABSORBER WITH COIL SPRING

- (a) Fully tighten the rear shock absorber with coil spring lower side nut.
Torque: 70 N·m (720 kgf·cm, 52 ft·lbf)

25. INSTALL REAR WHEEL

Torque: 103 N·m (1,050 kgf·cm, 76 ft·lbf)

26. ADJUST REAR WHEEL ALIGNMENT (SEE PAGE 27-8)