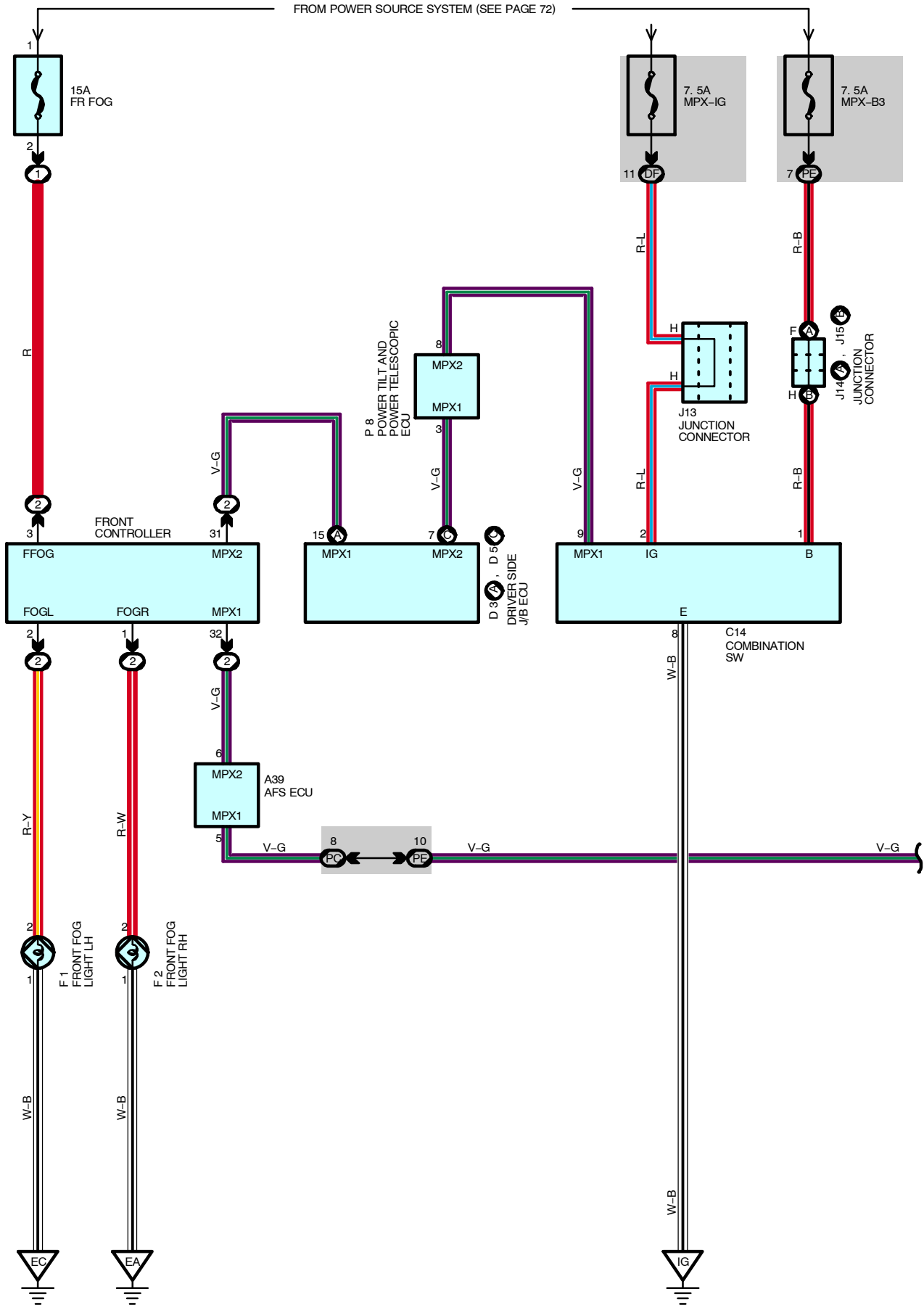
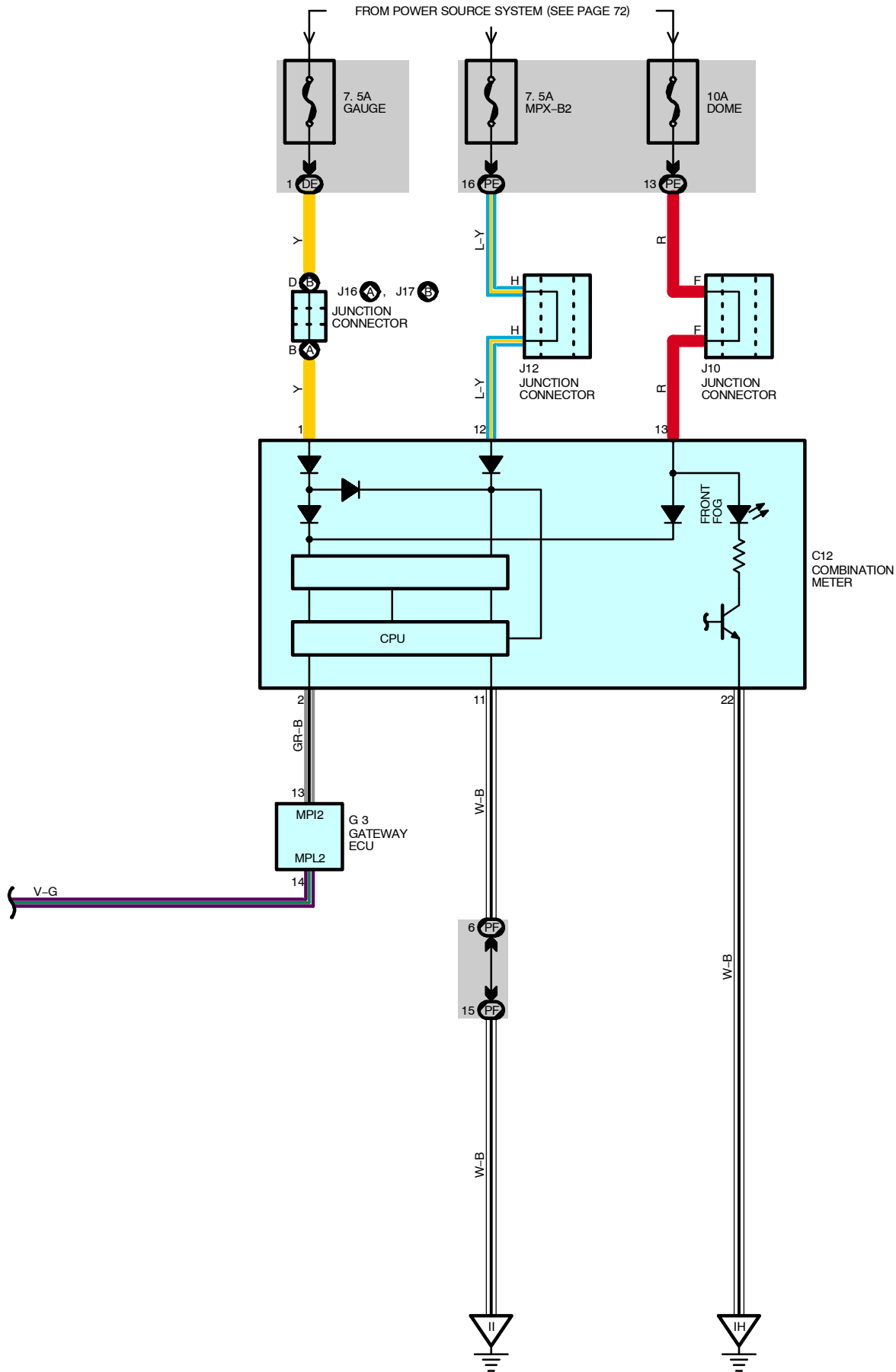


Front Fog Light





Front Fog Light

SERVICE HINTS

FRONT CONTROLLER

3-GROUND : Always approx. 12 volts

C14 COMBINATION SW

1-GROUND : Always approx. 12 volts

2-GROUND : Approx. 12 volts with ignition SW at **ON** or **ST** position

8-GROUND : Always continuity

○ : PARTS LOCATION

Code	See Page	Code	See Page	Code	See Page
A39	46	F2	43	J15	B 47
C12	46	G3	47	J16	A 47
C14	46	J10	47	J17	B 47
D3	A 47	J12	47	P8	48
D5	C 47	J13	47		
F1	43	J14	A 47		

○ : RELAY BLOCKS

Code	See Page	Relay Blocks (Relay Block Location)
1	24	Engine Room No.1 R/B (Engine Compartment Left)
2	25	Engine Room No.2 R/B (Engine Compartment Left)

○ : JUNCTION BLOCK AND WIRE HARNESS CONNECTOR

Code	See Page	Junction Block and Wire Harness (Connector Location)
DE	29	Instrument Panel Wire and Driver Side J/B (Left Kick Panel)
DF		
PC	35	Engine Room Main Wire and Passenger Side J/B (Right Kick Panel)
PE	36	Instrument Panel Wire and Passenger Side J/B (Right Kick Panel)
PF		

▽ : GROUND POINTS

Code	See Page	Ground Points Location
EA	56	Radiator Side Support RH
EC	56	Radiator Side Support LH
IG	58	Left Side of Instrument Panel
IH	58	Right Side of Shift Lever
II		

