

# FRONT SUSPENSION LOWER ARM ASSY LH REPLACEMENT

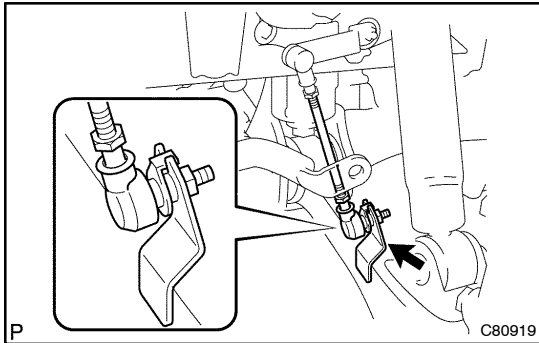
260H2-01

## HINT:

- Use the same procedures for the RH side and LH side.
- The procedures listed below are for the LH side.

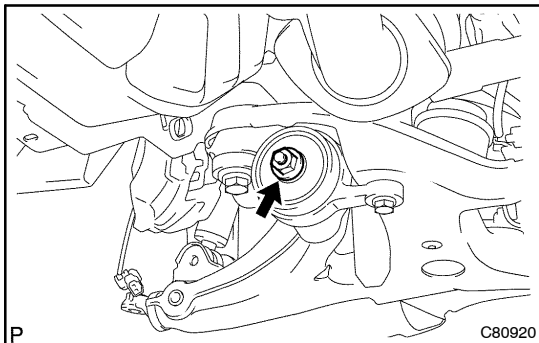
### 1. REMOVE FRONT WHEELS

### 2. REMOVE LOWER BALL JOINT ASSY FRONT LH (SEE PAGE 26-29)



### 3. SEPARATE HEIGHT CONTROL SENSOR LINK SUB-ASSY FRONT

- (a) Remove the nut and separate the height control sensor link sub-assy front.

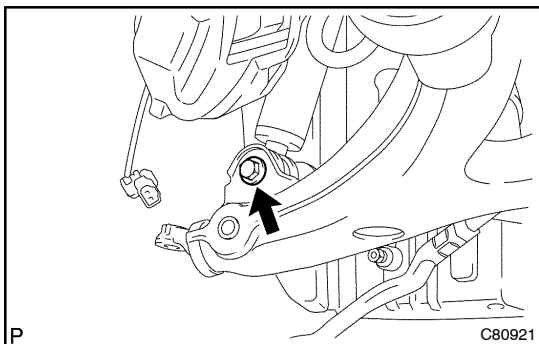


### 4. REMOVE FRONT SUSPENSION LOWER ARM ASSY LH

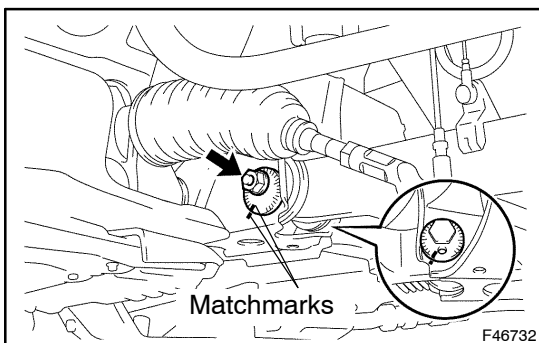
- (a) Loosen the nut.

#### NOTICE:

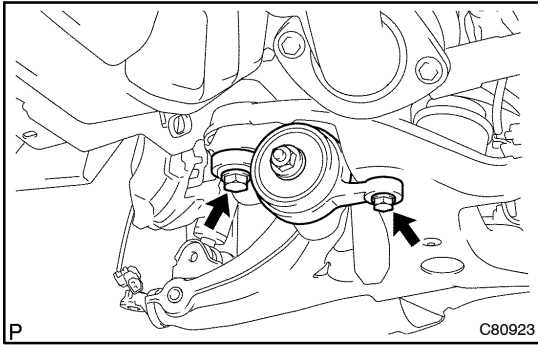
**Do not remove the nut.**



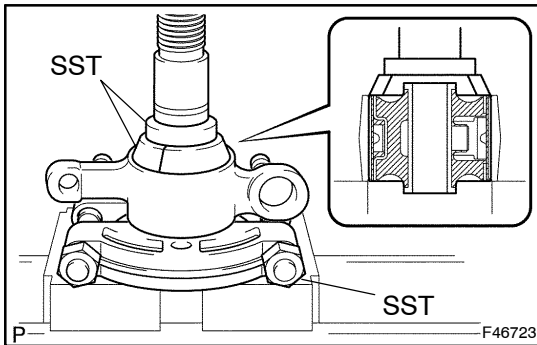
- (b) Remove the shock absorber assy lower side bolt and nut.



- (c) Place matchmarks on the camber adjust cam and suspension member.
- (d) Remove the nut, camber adjust cam and camber adjust cam bolt.



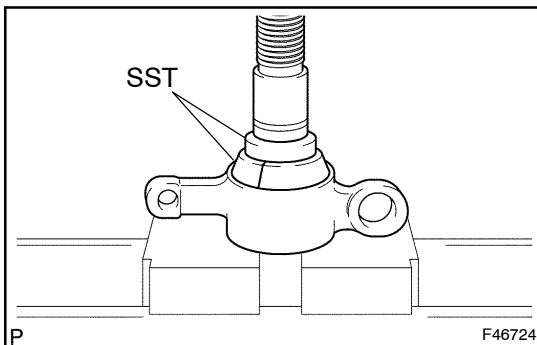
- (e) Remove the 2 bolts and front suspension lower arm assy LH.



**5. REMOVE FRONT LOWER ARM BRACKET**

- (a) Remove the nut, washer, lower arm bracket and lower arm bushing stopper.  
 (b) Using SST and a press, remove the bushing from the lower arm bracket.

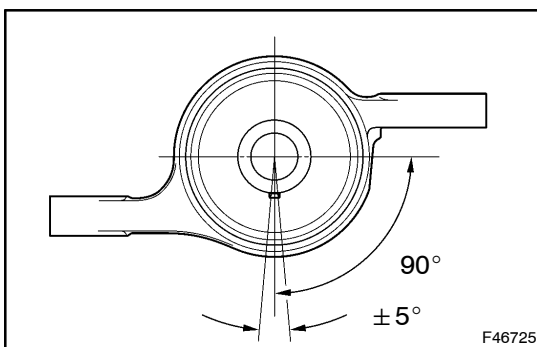
SST 09613-26010, 09950-00020,  
 09950-60010 (09951-00650)



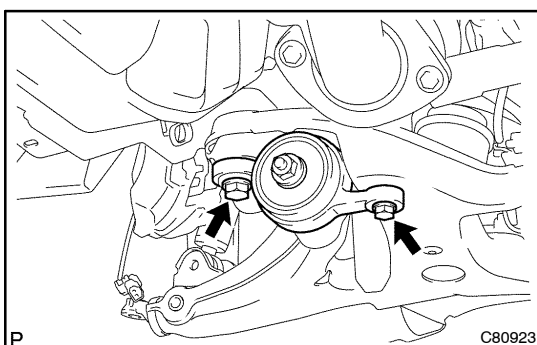
**6. INSTALL FRONT LOWER ARM BRACKET**

- (a) Using SST and a press, install the bushing to the lower arm bracket sub-assy.

SST 09613-26010, 09950-60010 (09951-00650)

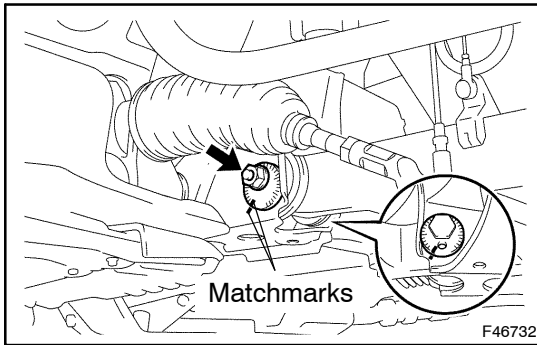


- (b) Temporarily install the front lower arm bushing stopper, lower arm bracket and washer to the lower arm bracket sub-assy with the nut.

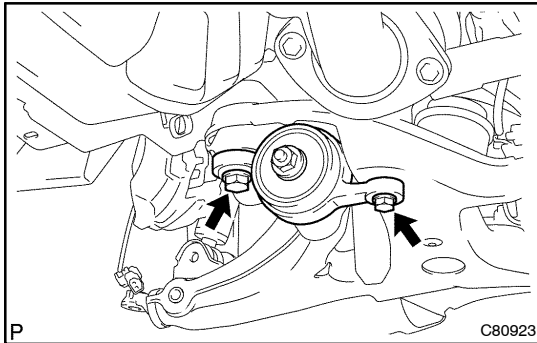


**7. TEMPORARILY TIGHTEN FRONT SUSPENSION LOWER ARM ASSY LH**

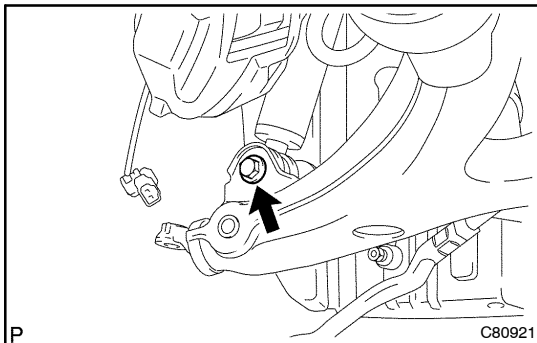
- (a) Install the front suspension lower arm assy LH.  
 (b) Temporarily install the 2 bolts.



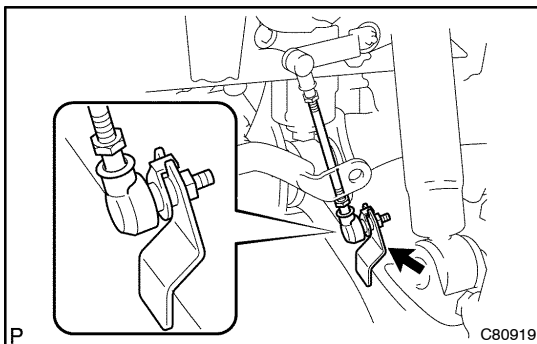
- (c) Align the matchmarks on the camber adjust cam and suspension member.
- (d) Temporarily install camber adjust cam bolt with the nut.



- (e) Fully tighten the 2 bolts.
- Torque:**  
**Vehicle inside: 60 N·m (612 kgf·cm, 44 ft·lbf)**  
**Vehicle outside: 137 N·m (1,395 kgf·cm, 101 ft·lbf)**



- (f) Install the shock absorber assy.
- (g) Temporarily install the bolt and nut.

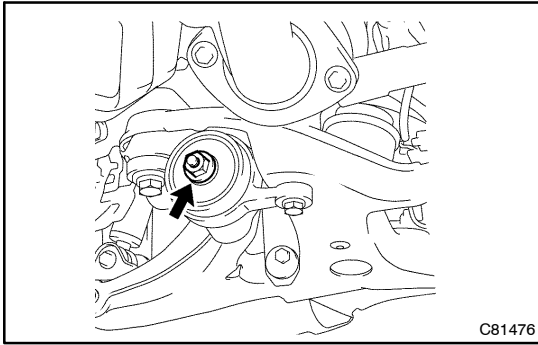


#### 8. INSTALL HEIGHT CONTROL SENSOR LINK SUB-ASSY FRONT (AIR SUSPENSION)

- (a) Install the height control sensor link sub-assy front with the nut.
- Torque: 5.4 N·m (55 kgf·cm, 48 in·lbf)**

#### 9. INSTALL LOWER BALL JOINT ASSY FRONT LH (SEE PAGE 26-29)

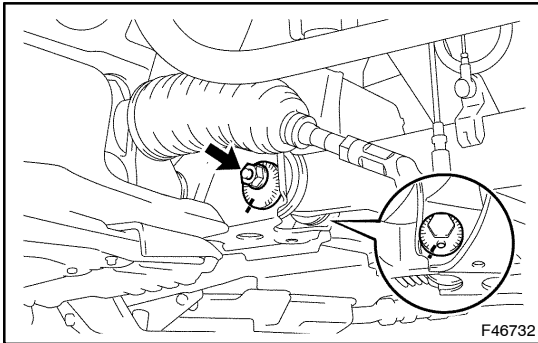
#### 10. STABILIZE SUSPENSION (SEE PAGE 26-12 OR 26-18)



**11. FULLY TIGHTEN FRONT SUSPENSION LOWER ARM ASSY LH**

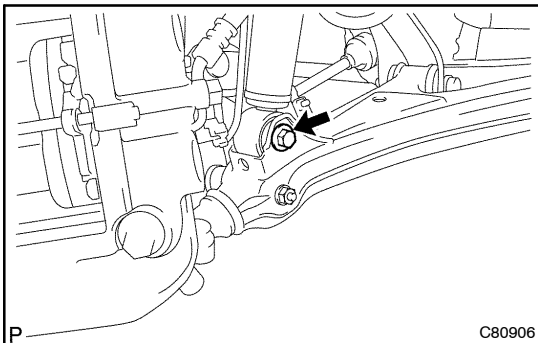
(a) Fully tighten the nut.

**Torque: 137 N·m (1,395 kgf·cm, 101 ft·lbf)**



(b) Fully tighten the nut.

**Torque: 172 N·m (1,755 kgf·cm, 127 ft·lbf)**



(c) Fully tighten the bolt.

**Torque: 157 N·m (1,600 kgf·cm, 116 ft·lbf)**

**12. INSTALL FRONT WHEELS**

**Torque: 103 N·m (1,050 kgf·cm, 76 ft·lbf)**

**13. ADJUST FRONT WHEEL ALIGNMENT (SEE PAGE 26-8)**

**14. ADJUST VEHICLE HEIGHT (AIR SUSPENSION) (SEE PAGE 25-4)**

**15. CHECK ABS SPEED SENSOR SIGNAL (SEE PAGE 05-439)**