

CIRCUIT INSPECTION

Power Source Circuit

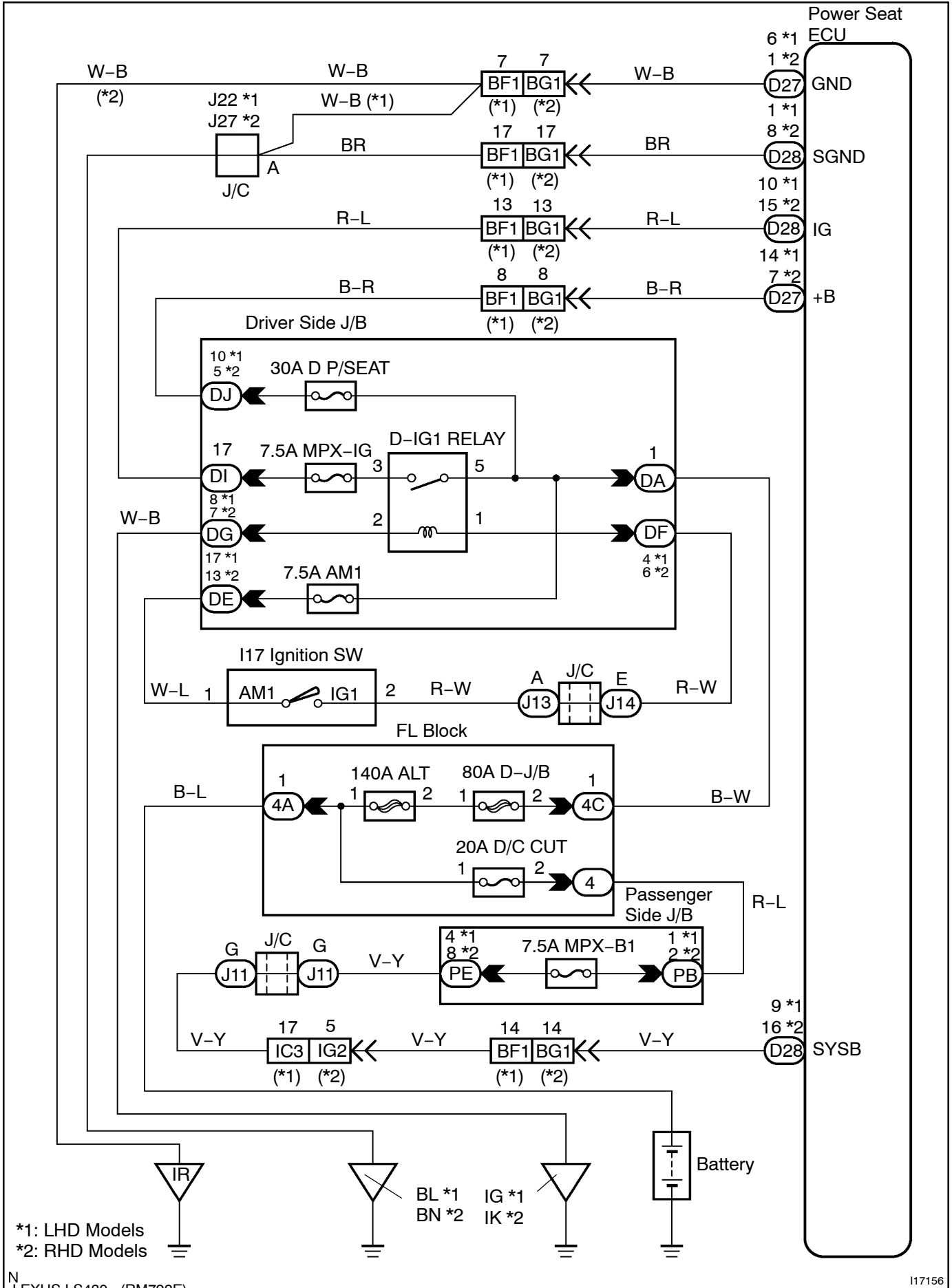
CIRCUIT DESCRIPTION

This circuit provides power to operate the Power Seat ECU.

The power seat switch is built into the Power Seat ECU.

However, the lumbar support switch and the seat cushion switch are separated.

WIRING DIAGRAM



INSPECTION PROCEDURE

1	Check D _{SEAT} and MPX-B1 fuse.
---	--

CHECK:Check continuity of D_{SEAT} and MPX-B1 fuse.**OK:**

Continuity

NG

Replace the failure fuse.

OK

2	Check voltage between terminals SYSB, B, IG and GND of power seat ECU connector.
---	--

PREPARATION:

Turn the ignition switch ON.

CHECK:

Measure voltage between terminals IG and GND.

OK:

Voltage: 10 – 14 V

PREPARATION:

- (a) Turn the ignition switch OFF
- (b) Disconnect the Power seat ECU connector.

CHECK:

Measure voltage between terminals SYSB, B and GND.

OK

Proceed to next circuit inspection shown on problem symptoms table (See page DI-722).

NG

3 Check harness and connector between Power Seat ECU and body ground (See page IN-35).

OK

Repair or replace harness or connector.

NG

Proceed to next circuit inspection shown on problem/symptom table (See page DI-722).