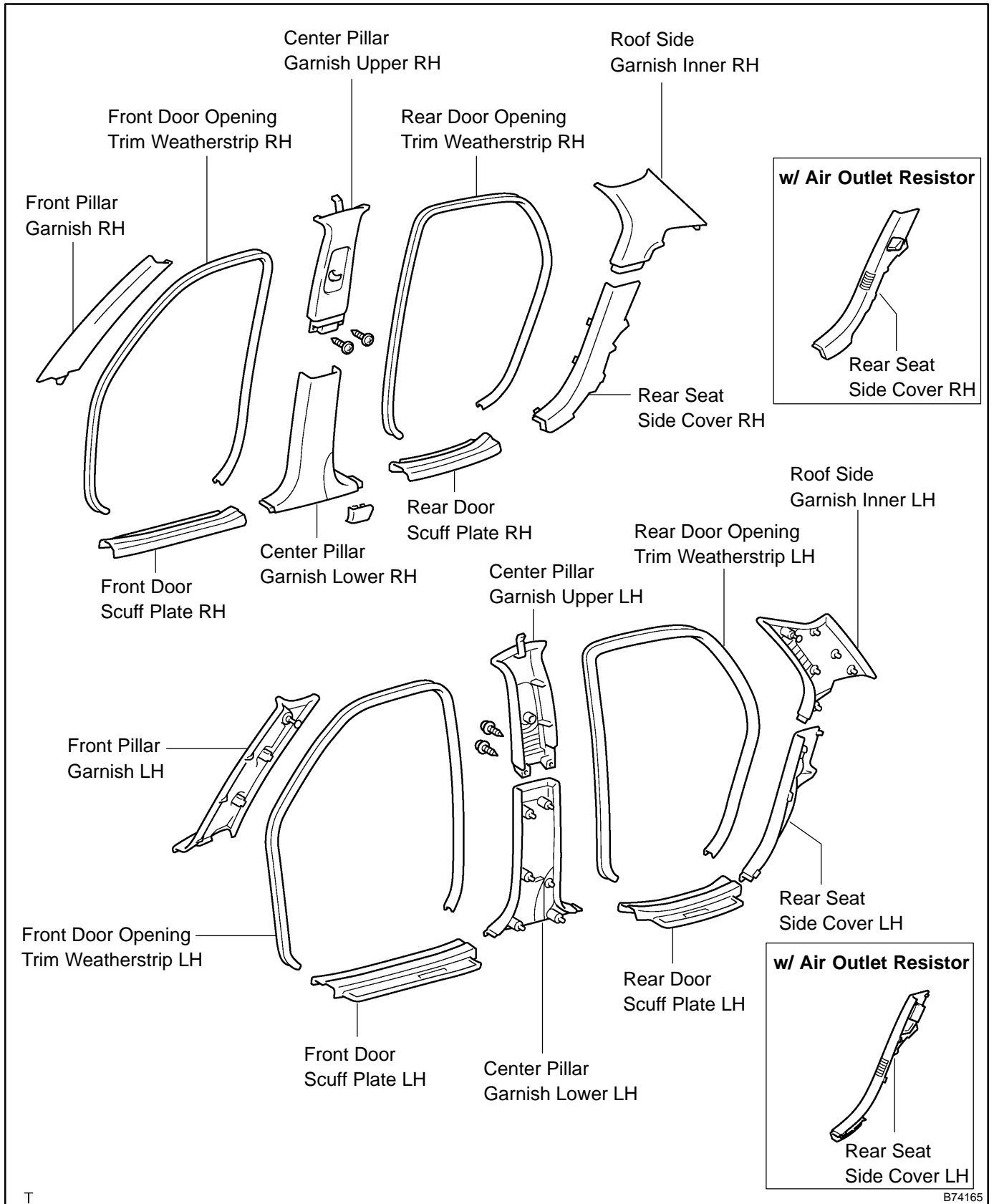
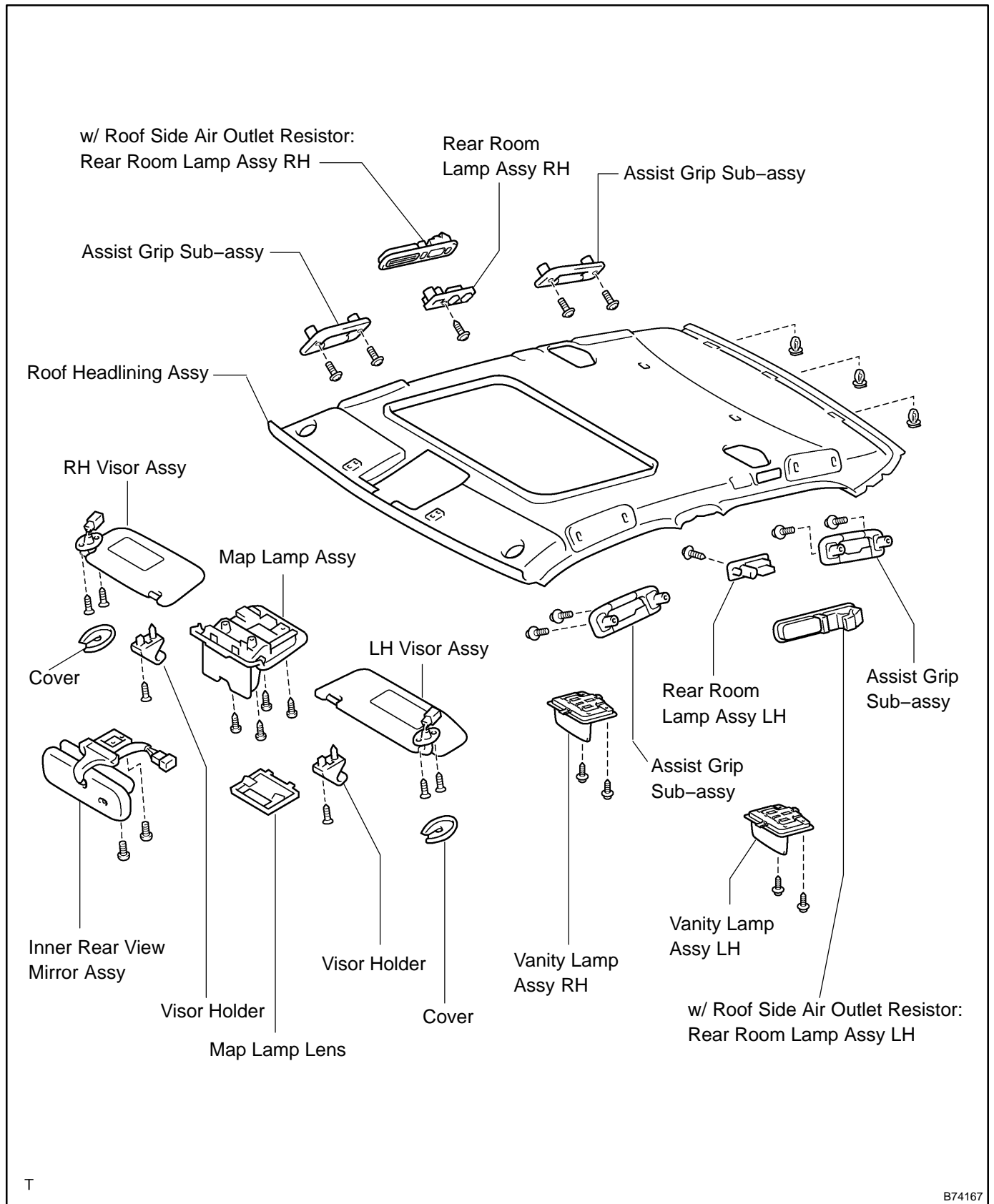
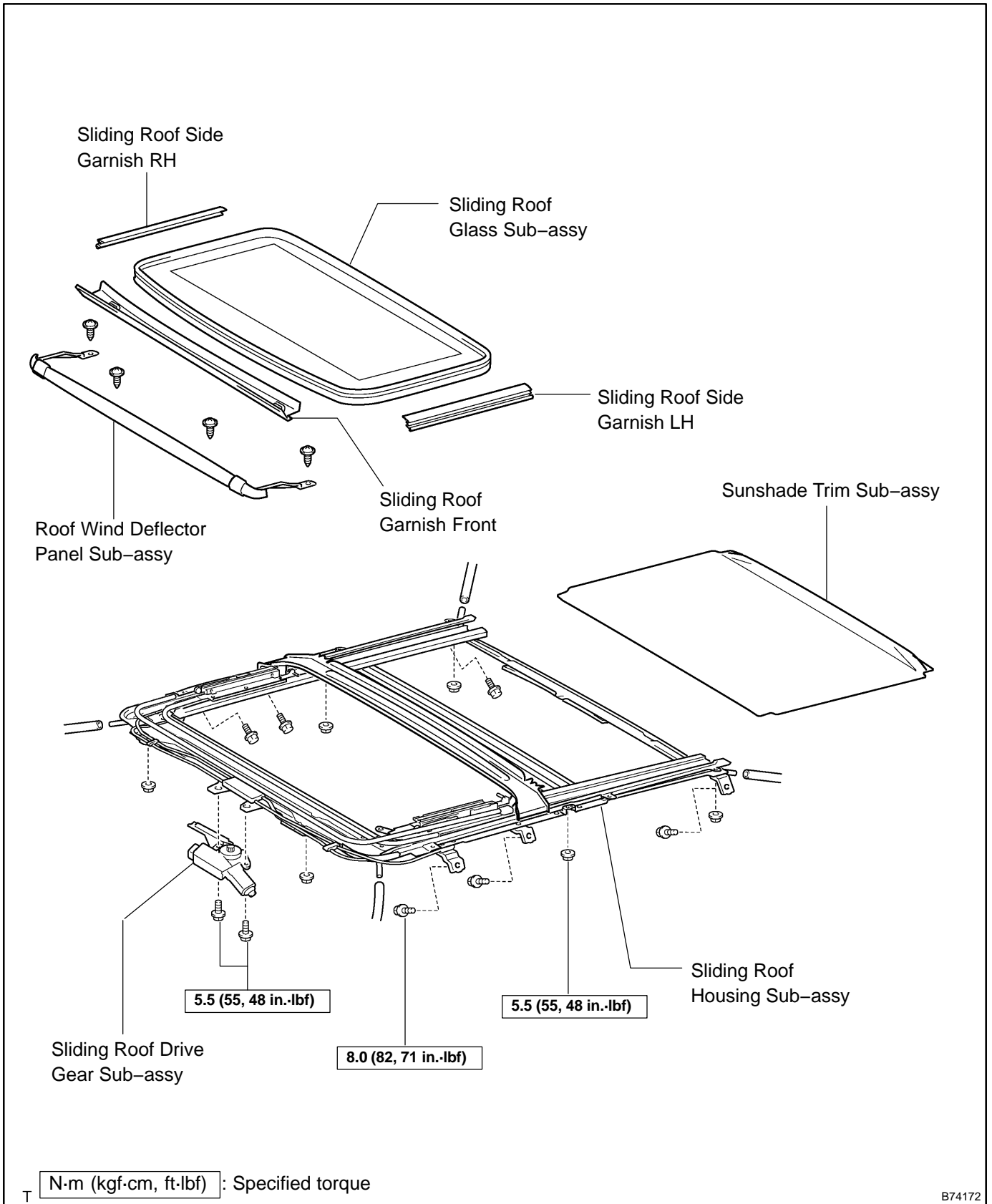


# SLIDING ROOF COMPONENTS

740AU-03





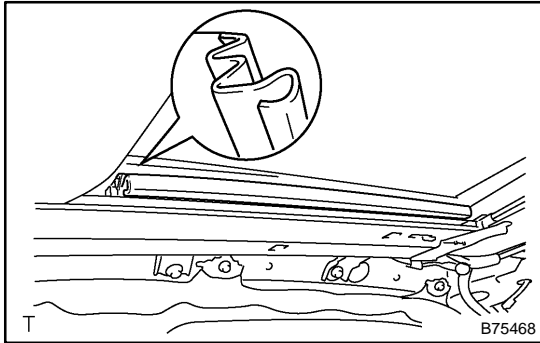


## REPLACEMENT

### HINT:

- The installation procedures are the removal procedures in reverse order. However, only installation procedures requiring additional information are included.
- A bolt without a torque specification is shown in the standard bolt chart (see page 03-2).

### 1. REMOVE ROOF HEADLINING ASSY (See page 76-52)



### 2. REMOVE SLIDING ROOF SIDE GARNISH LH

- (a) Pull up the side garnish.

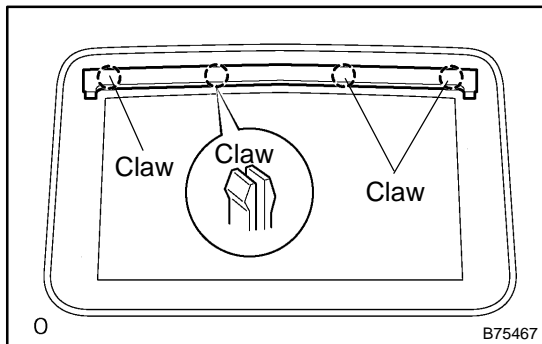
### 3. REMOVE SLIDING ROOF SIDE GARNISH RH

#### HINT:

Use the same procedures described for the LH side.

### 4. REMOVE SLIDING ROOF GLASS SUB-ASSY

- (a) Using a torx driver (T25), remove the 4 screws and roof glass.

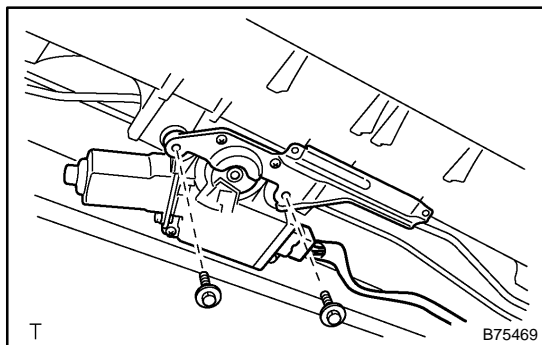


### 5. REMOVE SLIDING ROOF GARNISH FRONT

- (a) Using a screwdriver, disengage the 4 claws and remove the garnish.

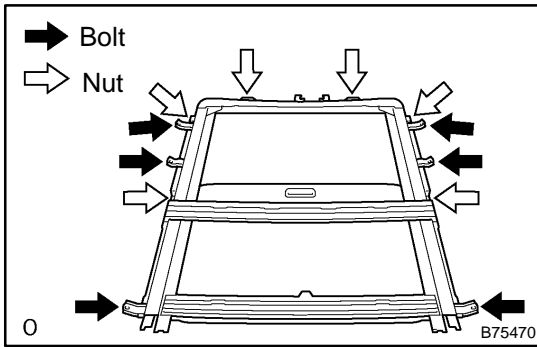
#### HINT:

Tap the screwdriver tip before use.

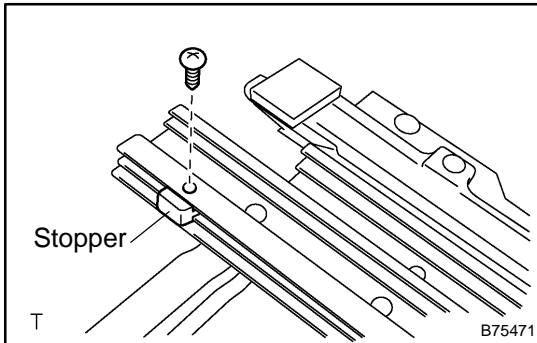


### 6. REMOVE SLIDING ROOF DRIVE GEAR SUB-ASSY

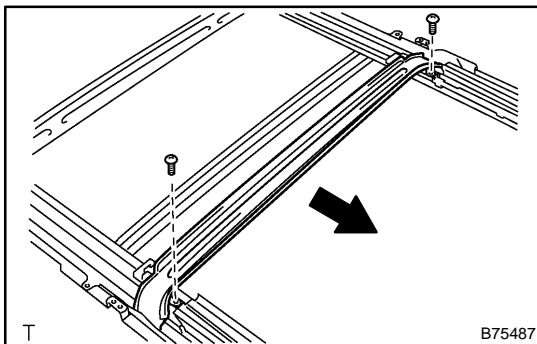
- (a) Disconnect the connector.  
 (b) Remove the 2 bolts and drive gear.

**7. REMOVE SLIDING ROOF HOUSING SUB-ASSY**

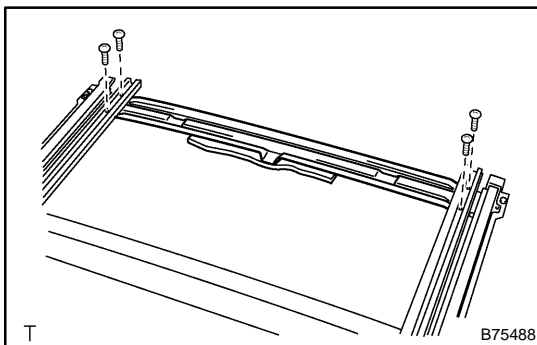
- (a) Remove the 6 bolts, 6 nuts and roof housing.

**8. REMOVE SLIDING ROOF GUIDE RAIL STOPPER**

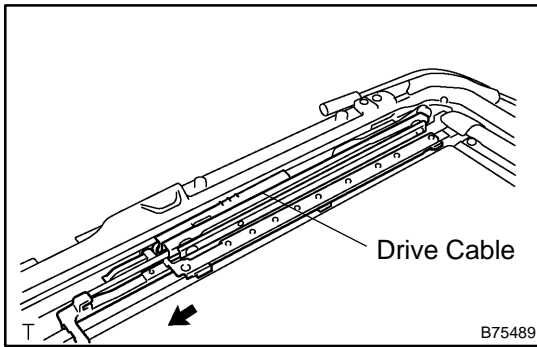
- (a) Remove the screw and stopper.

**9. REMOVE SUNSHADE TRIM SUB-ASSY****10. REMOVE ROOF DRIP CHANNEL REAR**

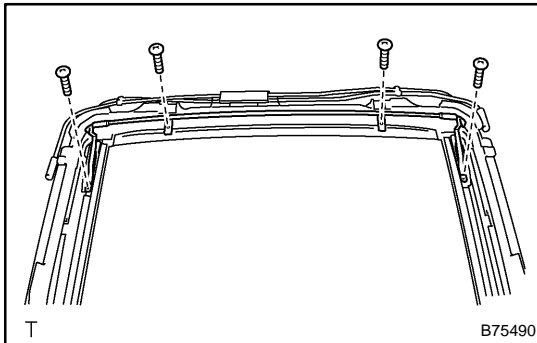
- (a) Remove the 2 screws, slide the drip channel backward and remove it.

**11. REMOVE SLIDING ROOF DRIVE CABLE**

- (a) Remove the 4 screws and 4 stoppers.



- (b) Slide the drive cable backward and remove it.

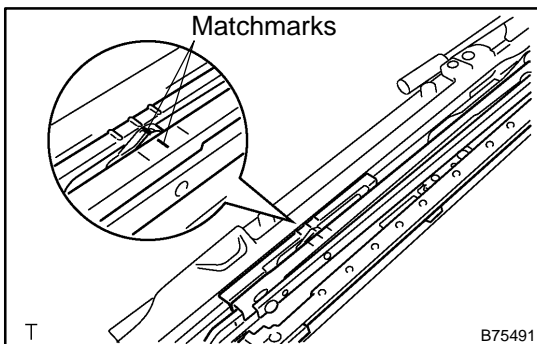


## 12. REMOVE ROOF WIND DEFLECTOR PANEL SUB-ASSY

- (a) Remove the 4 screws and deflector.

HINT:

When replacing only the deflector panel, fully open the roof glass, and remove the 4 screws and panel.



## 13. ADJUST FULLY CLOSED POSITION

- (a) Using a screwdriver, slide the sliding roof drive cable to align the matchmarks.

HINT:

Tape the screwdriver tip before use.

## 14. INSTALL SLIDING ROOF HOUSING SUB-ASSY

- (a) Install the roof housing with the 6 nuts and 6 bolts.

**Torque:**

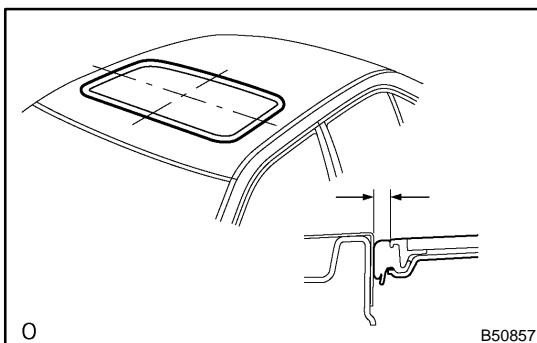
**8.0 N·m (82 kgf·cm, 71 in·lbf) for bolt**

**5.5 N·m (56 kgf·cm, 49 in·lbf) for nut**

## 15. INSTALL SLIDING ROOF DRIVE GEAR SUB-ASSY

- (a) Install the drive gear with the 2 bolts.

**Torque: 5.5 N·m (56 kgf·cm, 49 in·lbf)**



## 16. ADJUST SLIDING ROOF GLASS SUB-ASSY

- (a) Check the difference between the roof glass and roof panel. Using a torx wrench (T25), loosen the 4 screws and adjust the sliding roof panel position.

**Difference: 0 ± 1.5 mm (0 ± 0.059 in.)**

**NOTICE:**

**The difference should be even all around.**

**17. INSTALL SLIDING ROOF GLASS SUB-ASSY**

- (a) Using a torx wrench (T25), tighten the 4 screws.  
**Torque: 5.5 N·m (56 kgf·cm, 49 in·lbf)**

**18. CHECK FOR WATER LEAKS**

- (a) Adjust the sliding roof. Check that there is no water leak.  
If a leak is found, readjust the sliding roof.