



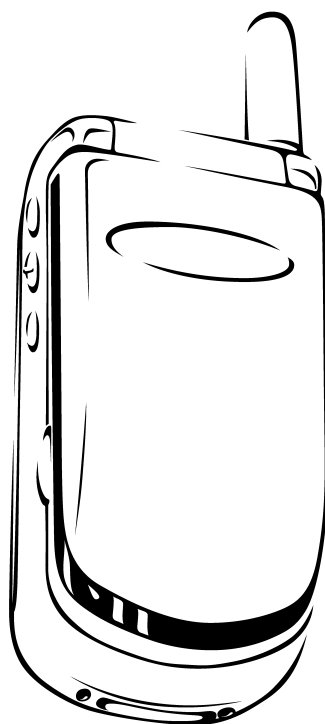
GSM

Cellular Mobile Telephone

Einbauanleitung - Installation Manual - Manuel d'installation

LS 430

Dual band portable phone



Preface

This manual describes the installation method of the dual band GSM-type Cellular Mobile Telephone (portable phone) in Lexus LS 430 vehicles; model code UCF30 (since Aug. 2000). For full installation the following part numbers are required:

- Main kit PZ409-F1275-00 / PZ409-F1276-00

Telephone Main Kit	PZ409-F1275-00 (Pack 5)	PZ409-F1276-00 (Pack 6)
Languages	English Dutch French German Greek Hungarian Italian Portuguese Spanish Turkish	English Danish Estonian Finnish Latvian Lithuanian Norwegian Russian Swedish Ukrainian

- Subkit 86075-50060
- Switch case Charcoal 86174-50030-B0
 Black 86174-50030-C0
 Ivory 86174-50030-E0
 Ecru 86174-50030-E1

IMPORTANT!

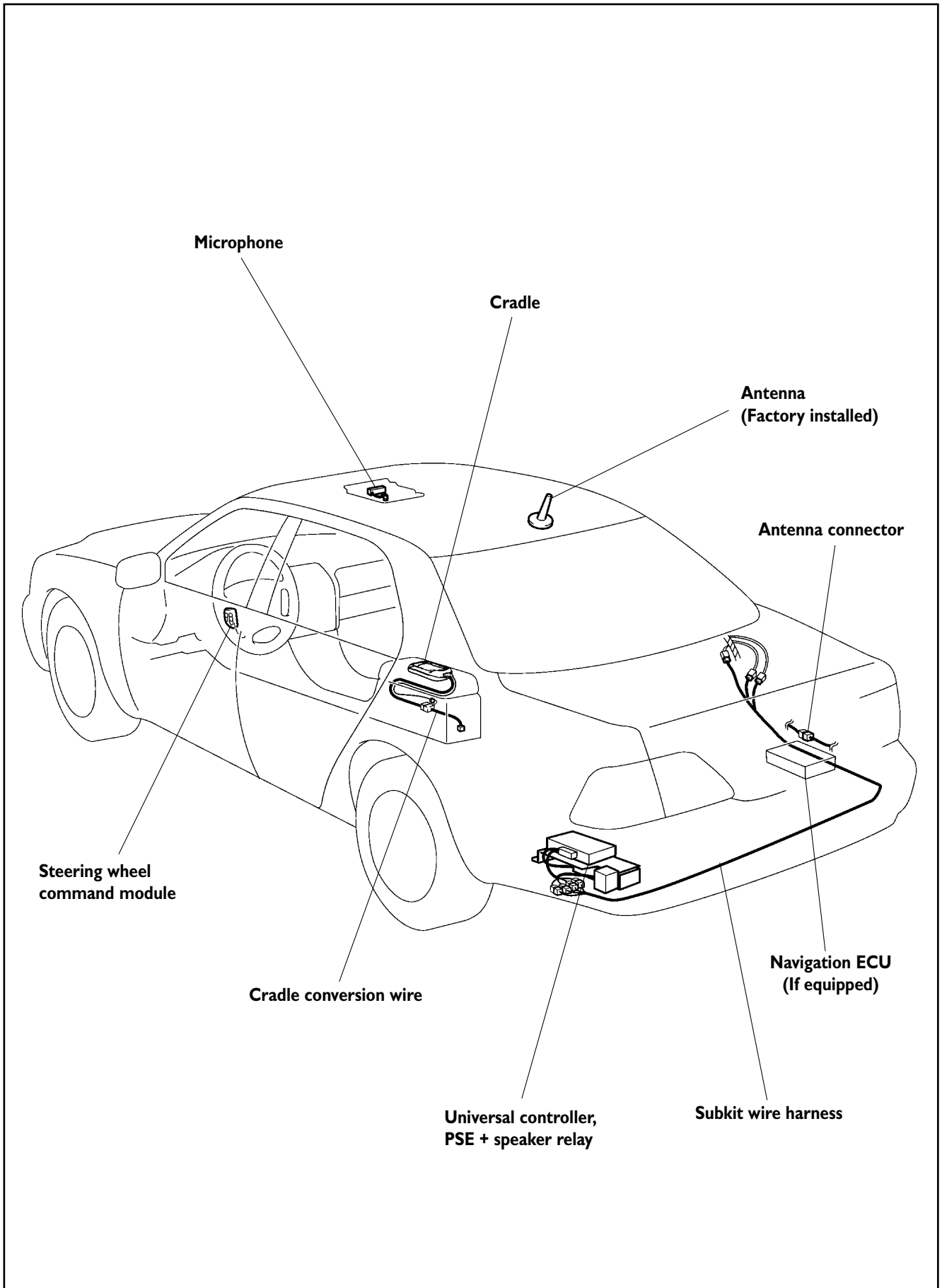
Compulsory instructions for use

This GSM telephone is only allowed by the Toyota Motor Company to be installed in a Lexus motor vehicle and to be operated only within the normal use of this vehicle. It should not be operated in any other system installation.

Table of Contents

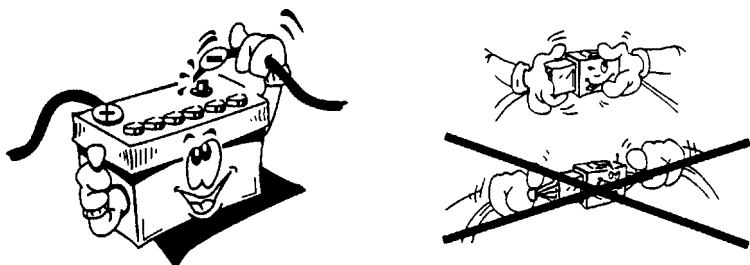
Preface	31
Table of Contents	33
Lexus Telephone System Overview	34
Pre-Installation Instructions	35
Contents List	
• Main Kit PZ409-F1275-00 / PZ409-F1276-00	36
• Subkit 86075-50060	37
• Switch case Charcoal 86174-50030-B0	
Black 86174-50030-C0	
Ivory 86174-50030-E0	
Ecru 86174-50030-E1	38
1. Command Module Installation	39
2. Microphone Installation	40
3. Portable Phone Installation	45
4. PSE Installation	50
5. Antenna Connection	56
6. Steering Wheel Switch Mode Setting	57
7. Reassembly	58
8. Putting into Service	58

Lexus Telephone System Overview

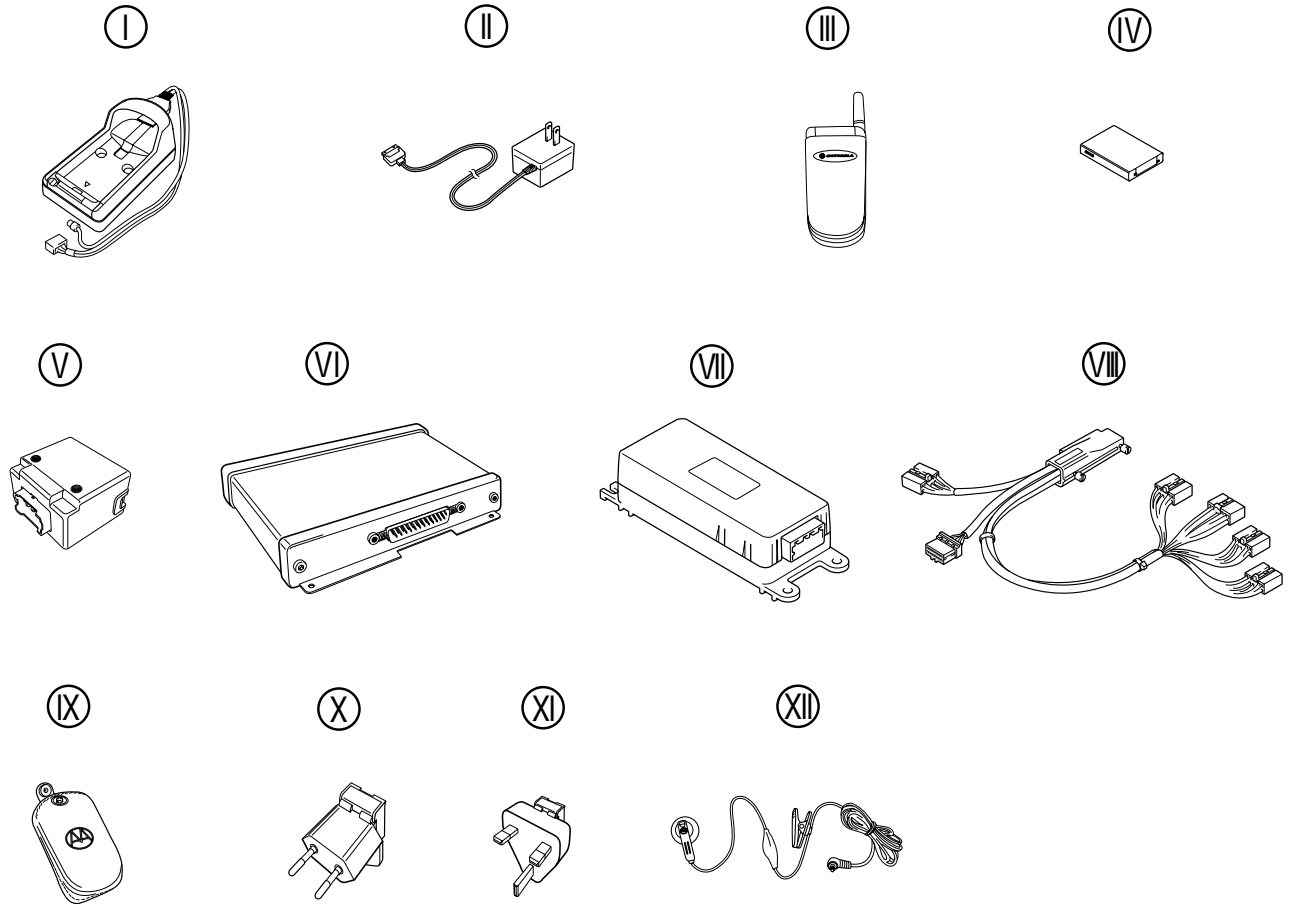


Pre-Installation Instructions

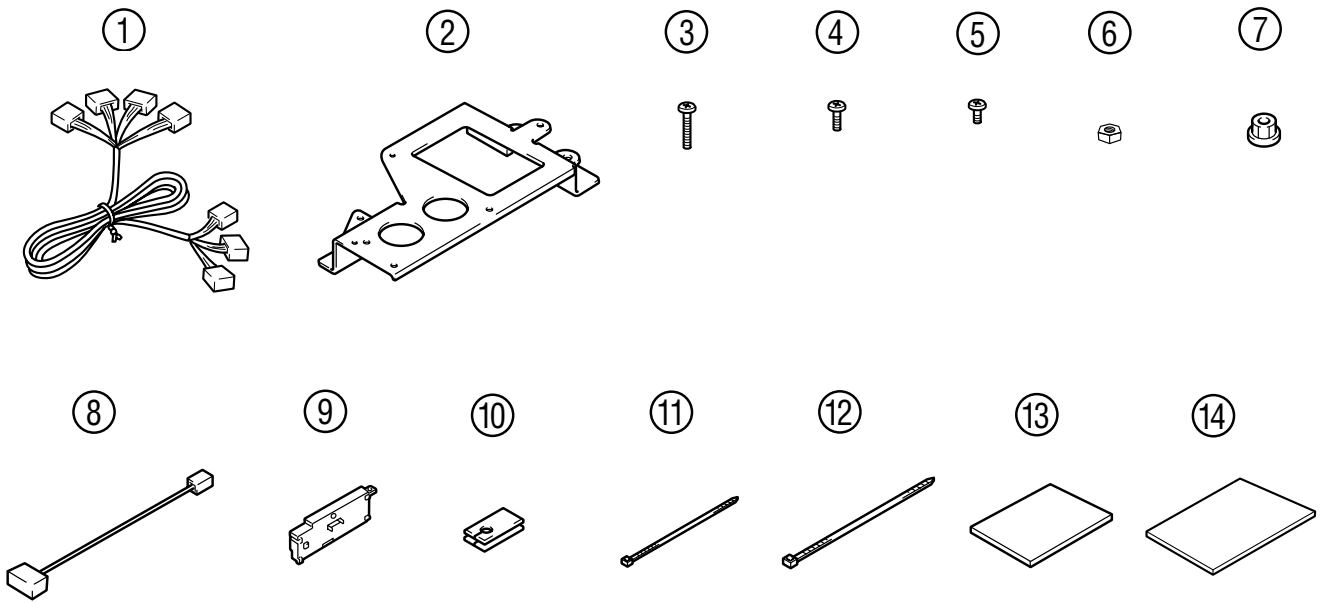
1. **Ensure the Radio Security Code is available** and disconnect the negative (-) lead from the battery terminals.



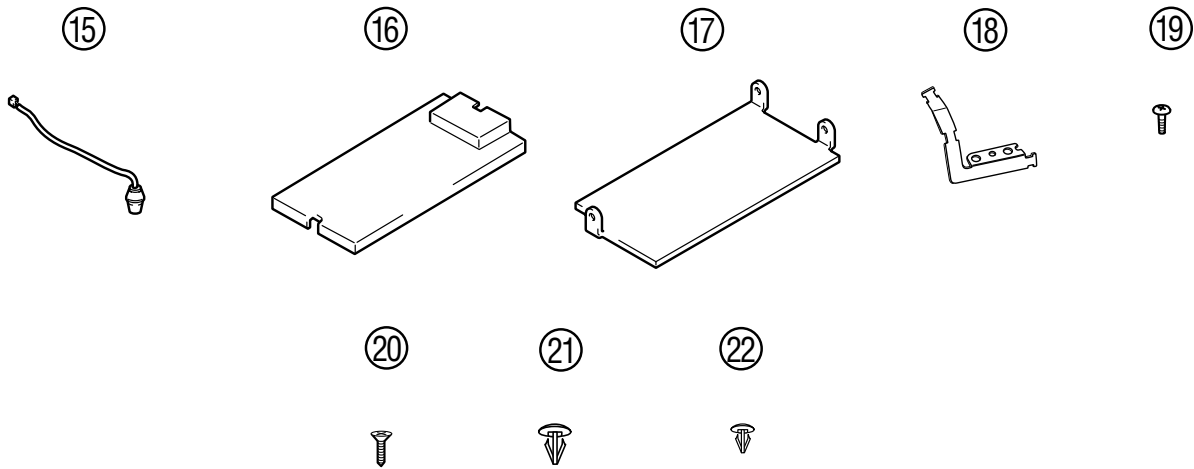
2. Protect Rear Right side fender and seats with covers.
3. When disconnecting connectors, be sure to grip the connector body. Do not tug on the wiring.
4. If further information is required and for trouble shooting, please refer to the Lexus Workshop Manual and the Electrical Wiring Diagram Manual EWD 435F.




No.	Part Name	Part No.	Qty
I	Cradle	86722-0W050	1
II	Battery charger	86771-0W050	1
III	Handset [pack 5 pack 6 Battery cover	86770-0W080 86770-0W090 86725-0W070	1 1 1
IV	Rechargeable battery	86725-0W060	1
V	Speaker relay	86162-0W010	1
VI	PSE (Portable Support Electronics)	86714-0W050	1
VII	Universal controller	PZ409-F1275-01	1
VIII	25P Subwire adapter cable	86713-0W110	1
IX	Leather case	86778-0W030	1
X	Mainland Europe adapter plug	86771-0W060	1
XI	UK adapter plug	86771-0W070	1
XII	Ear Phone	86730-0W160	1

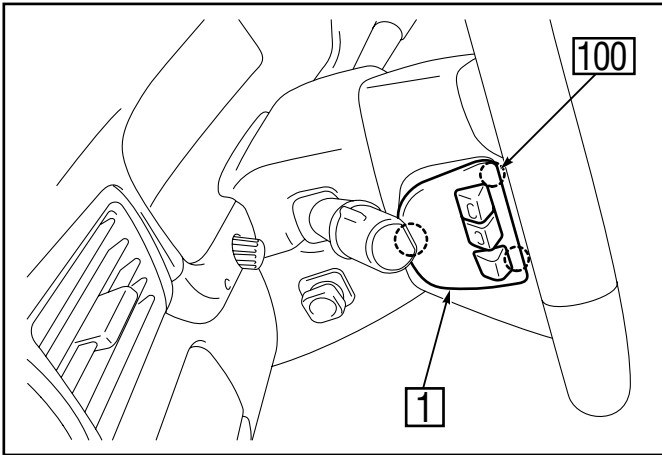


No.	Part Name	Part No.	Qty
①	Subkit wire harness (Mobile phone wire)	86713-50100	1
②	Main bracket	_____	1
③	Bolt (M4x12)	_____	7
④	Bolt (M4x5)	_____	4
⑤	Bolt (M4x12)	_____	2
⑥	Nut (M4)	_____	7
⑦	Nut (M6)	_____	3
⑧	Cradle conversion wire	86773-50030	1
⑨	Microphone amplifier	86290-50010	1
⑩	Grommet	_____	1
⑪	Wire tie (small) (L=142mm)	_____	6
⑫	Wire tie (large) (L=190mm)	_____	6
⑬	Foam (60x75)	_____	10
⑭	Foam (60x85)	_____	1



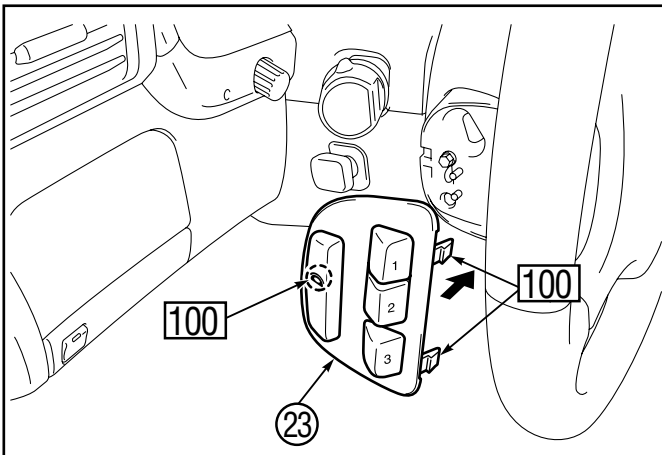
No.	Part Name	Part No.	Qty
⑮	Microphone	86250-50010	1
⑯	Telephone tray	—————	1
⑰	Partition plate	—————	1
⑱	Cable support	—————	1
⑲	Tapping screw (Ø4x9)	—————	2
⑳	Flat head screw (Ø4.5x12)	—————	4
㉑	Clip (large)	—————	2
㉒	Clip (small)	—————	1

⑳	Command Module (SWITCH CASE)	Part No.	Qty
	Charcoal	86174-50030-B0	1
	Black	86174-50030-C0	1
	Ivory	86174-50030-E0	1
	Ecru	86174-50030-E1	1



1.1 Remove the command module cover plate 1 from the steering wheel as shown.

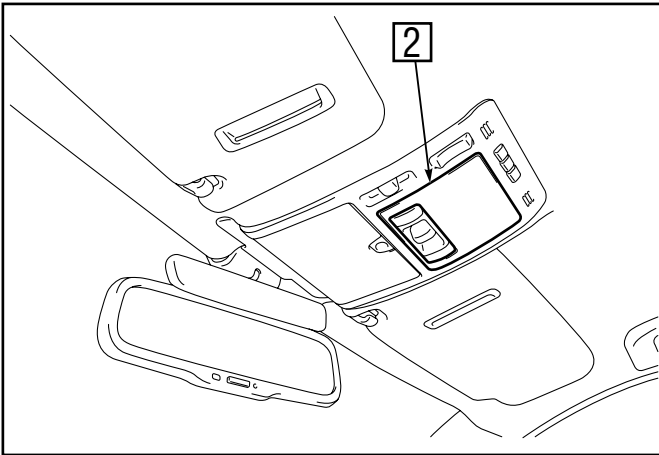
100: Hook (3x)



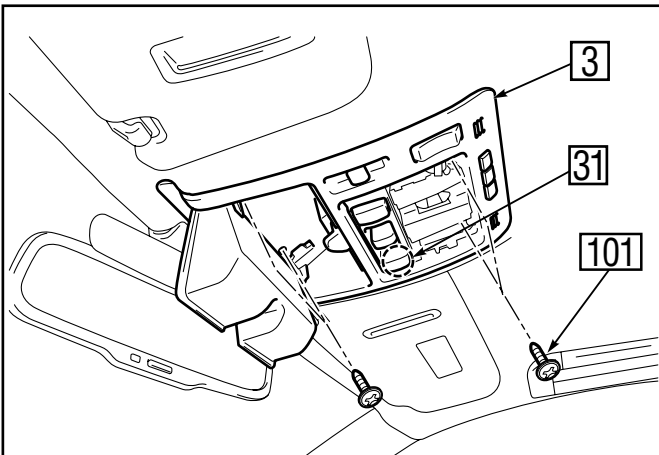
1.2 Fit the command module 23 as shown. Inspect to ensure that the module firmly locks onto the steering wheel.

100: Hook (3x)

2. MICROPHONE INSTALLATION



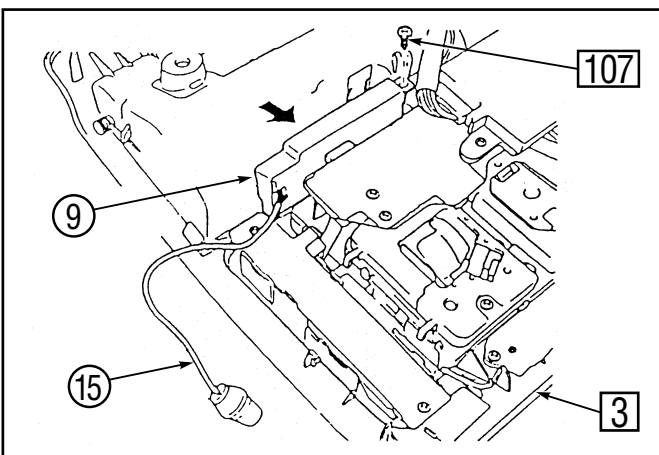
2.1 Remove the map light lens ②.



2.2 Remove the overhead module ③.

③1: Connector (1x)

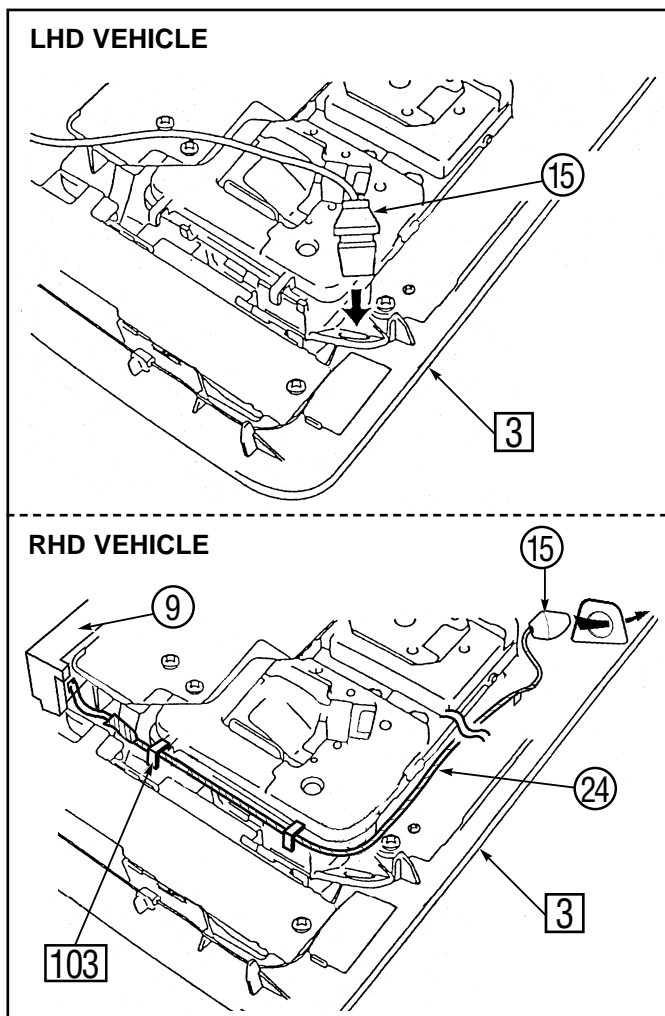
①01: Screw (2x)



2.3 Remove the screw ①07.

Connect the microphone ⑮ on the microphone amplifier ⑨ after installing one screw ①07 on the overhead module ③.

①07: Screw (1x)



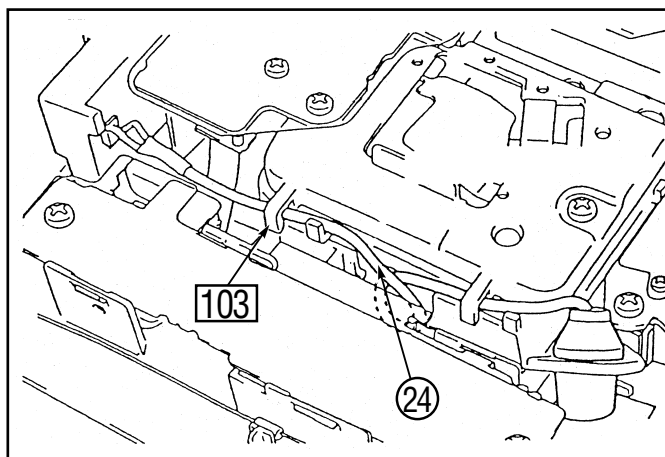
2.4 FOR LHD VEHICLE

Fit the microphone ⑮ in the hole on the overhead module ③ as shown in the illustration.

FOR RHD VEHICLE

Fit the microphone cord ⑳ into the hooks ⑩③ as shown in the illustration, then insert the microphone ⑮ into the hole on the overhead module ③.

⑩③: Hook (2x)



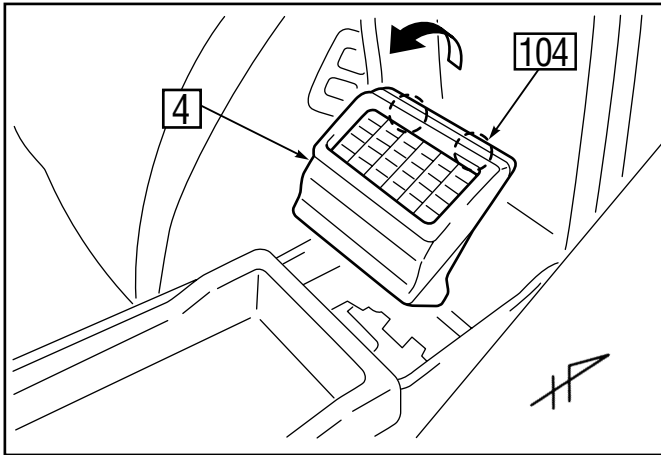
2.5

- a) Fit the microphone cord ⑳ into the hook ⑩③ as shown in the illustration, then put the remainder into a crevice so that it won't be caught on the installation to the vehicle.

(The illustration is for LHD vehicle, but it is also valid for RHD vehicle)

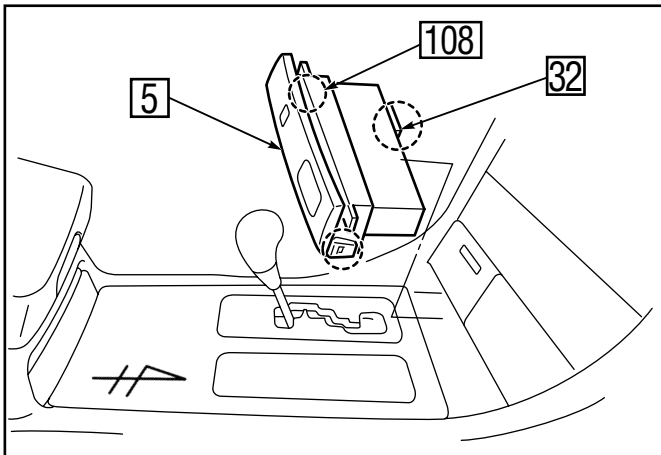
⑩③: Hook (2x)

- b) Reinstall the overhead module to the vehicle.



- 2.6 Open the centre console.
Remove the rear duct **4** by gently lifting upwards.

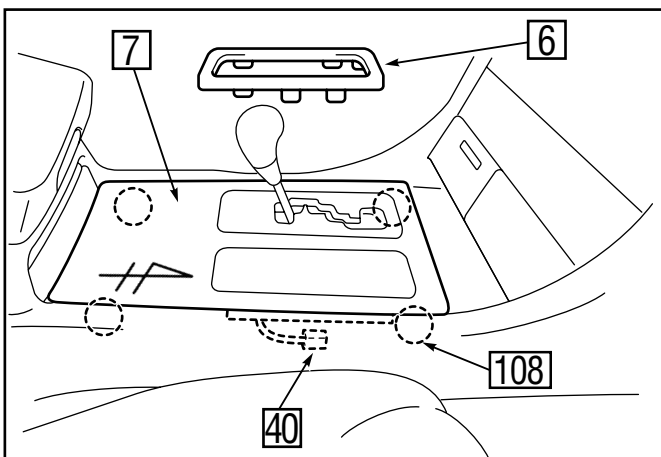
104: Clip (2x)



- 2.7 Remove the control switch panel **5** from the vehicle as shown.

32: Connector (1x)

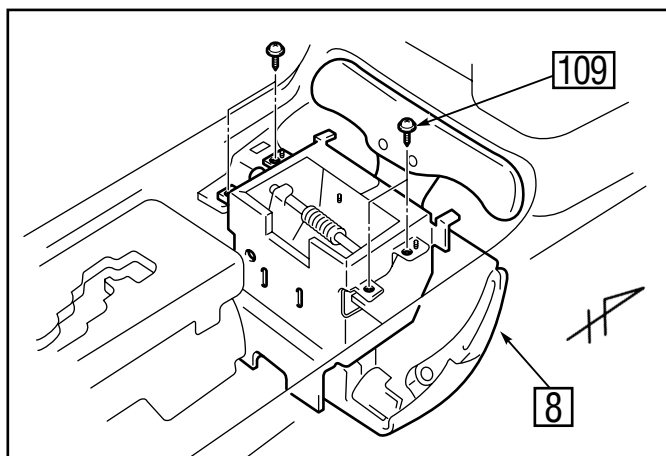
108: Clip (2x)



- 2.8 Remove the centre console shifter covers **6** and **7**.

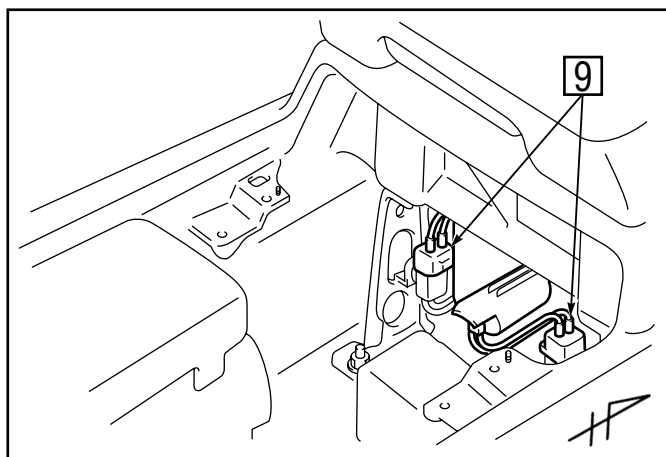
40: Connector (1x)

108: Clip (4x)

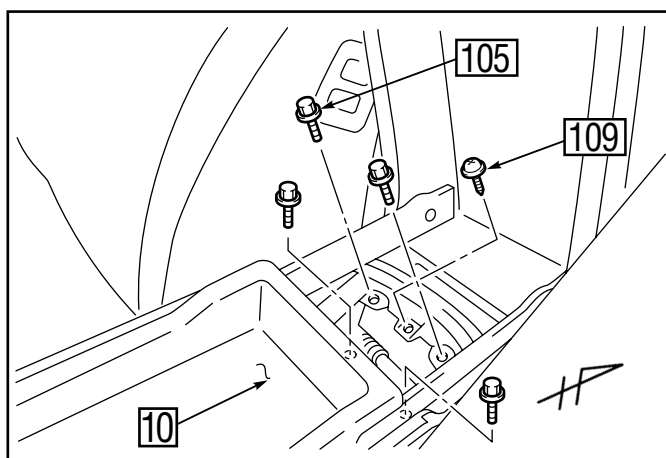


2.9 Remove the centre console cup holder **8**.

109: Screw (2x)



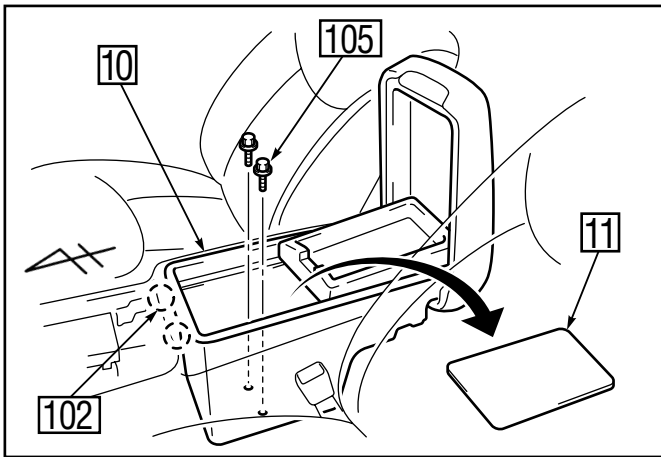
2.10 Disconnect the two 2P centre console wire harness connectors **9**.



2.11 Remove the bolts and screw from the lower console box **10**.

105: Bolt (4x)

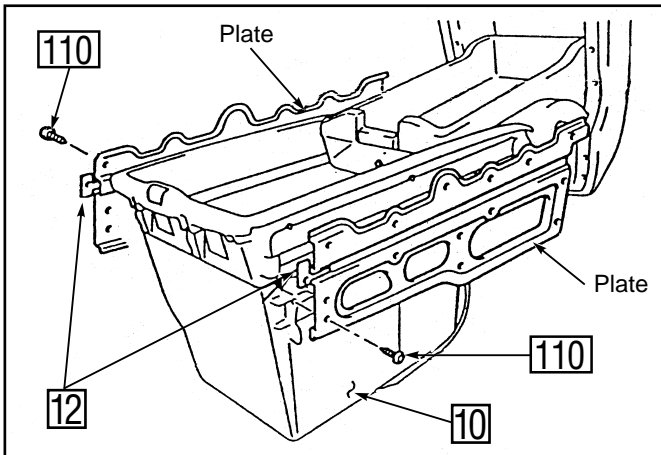
109: Screw (1x)



- 2.12 Remove the console mat **11**.
Remove the console box **10** from the vehicle as shown.

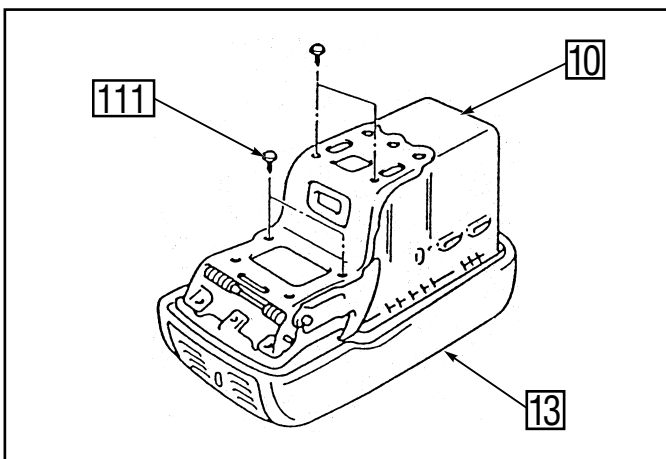
102: Clip (2x)

105: Bolt (2x)



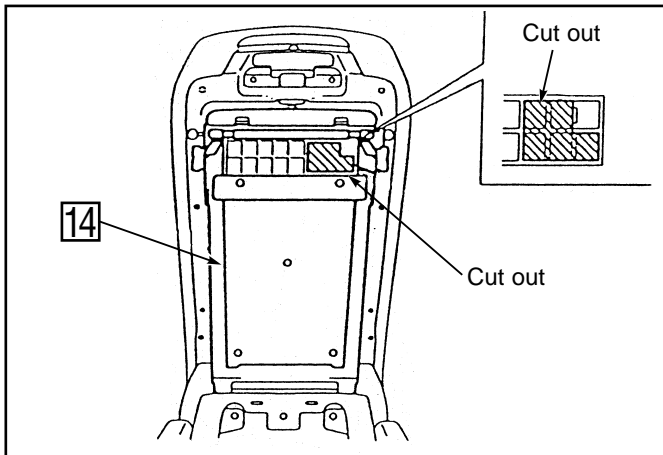
- 2.13 Remove 26 screws **110** on both sides of the console box **10** and on the stopper **12**.

110: Screw (26x)



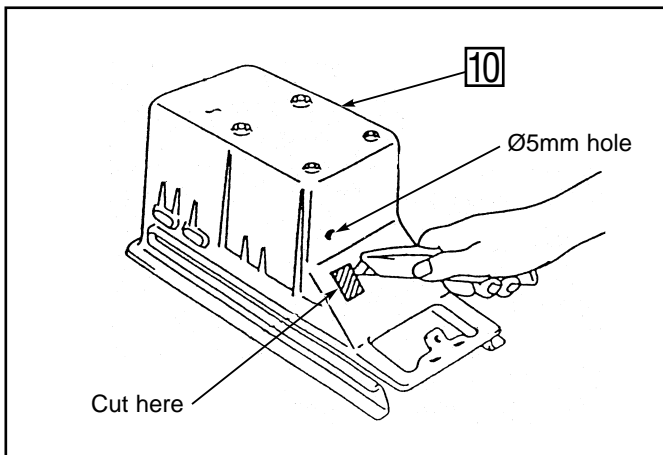
- 2.14 Remove 4 bolts **111** on the lower part of the console box **10**, then remove the armrest **13**.

111: Bolt (4x)



3.1 Cut out the marked area in the illustration using the cutter.

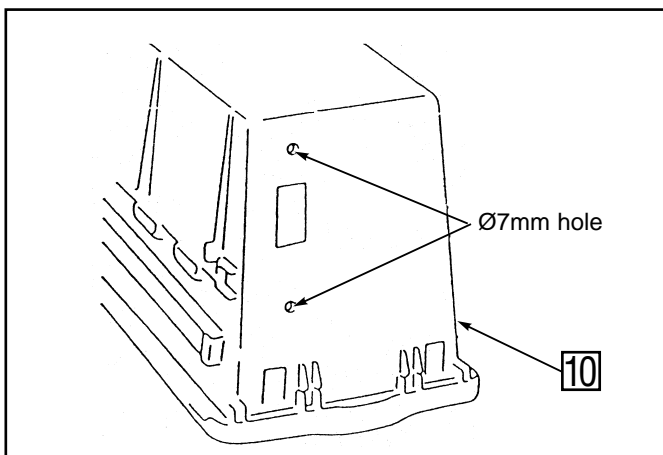
14: Console tray



3.2

a) Using the cutter, cut out the marked area along the line on the rear part of the lower console box 10 for the telephone wire to pass.

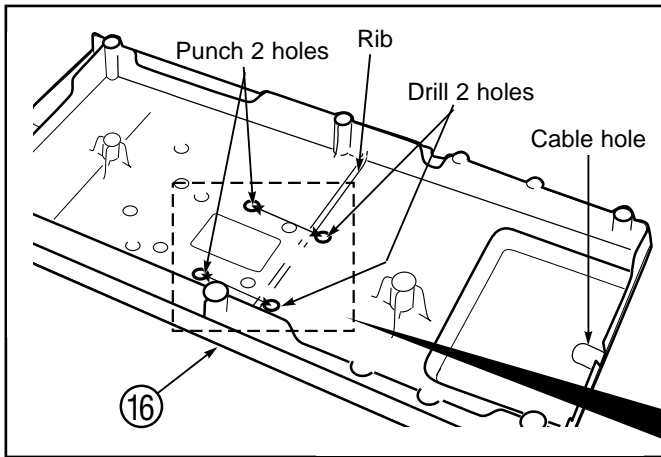
b) Drill a Ø5mm hole on the marked area on the rear position of the lower console box 10.



3.3

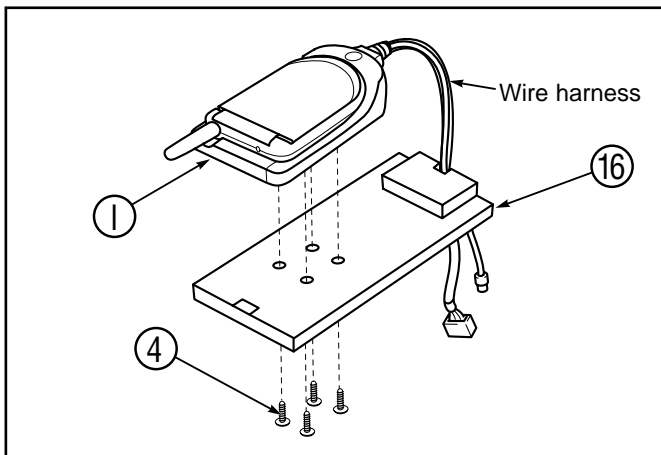
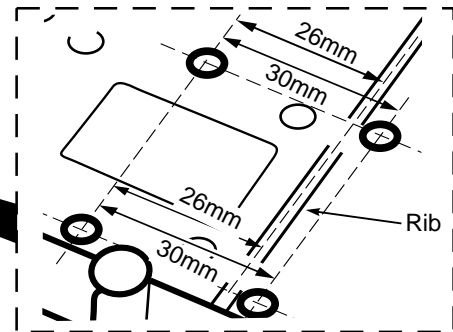
a) Drill two Ø7mm holes on the marked area on the front of the lower console box 10.

b) Install the console tray 14 in the lower console box 10.



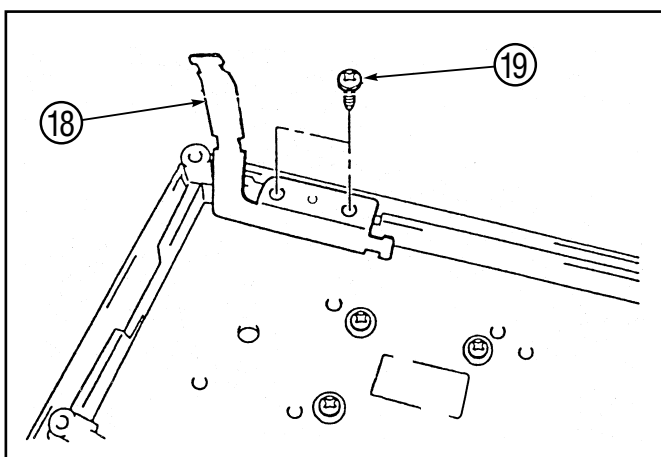
3.4

- a) Punch the 2 holes in the telephone tray ⑯ and drill another 2 holes (Ø4mm) as indicated in the drawing.
- b) Cut away the cable hole.



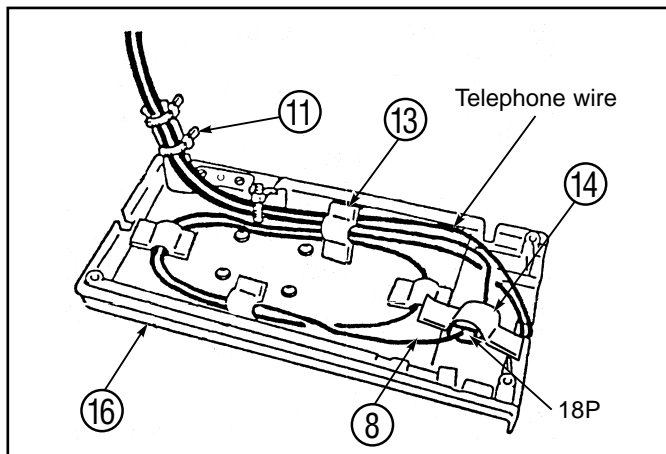
3.5 Install the cradle ① on the telephone tray ⑯ using the M4x5 bolts ④.

④: Bolt (M4x5) (4x)



3.6 Install the cable support ⑱ for the telephone wire on the back of the tray using the tapping screws ⑲.

⑲: Tapping screw (2x)



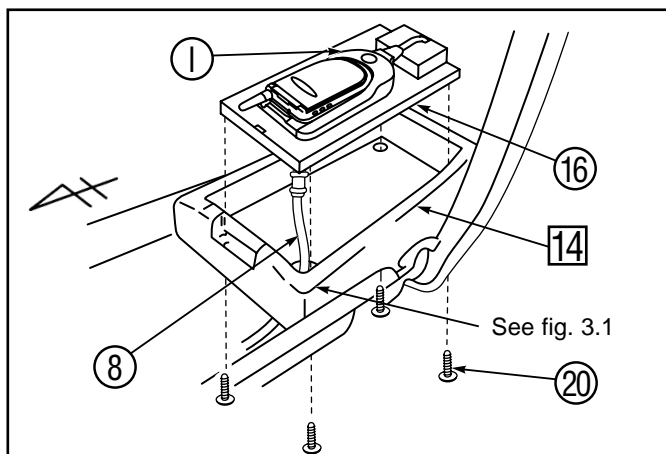
3.7

- a) Connect the cradle conversion wire ⑧ and the telephone wire.
- b) Route the telephone wire and the antenna cord as shown in the illustration, then secure them using foam ⑬ and wire ties ⑪.

⑬: Foam (small) (4x)

- c) Secure the 18P connector using foam ⑭ for noise prevention on the area shown in the illustration.

⑭: Foam (large) (1x)

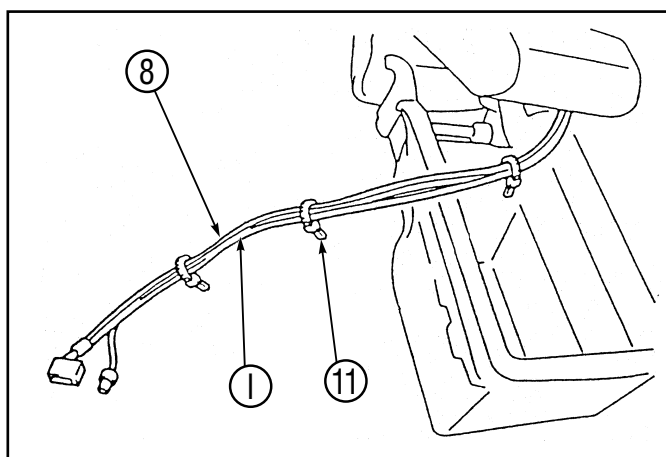


- 3.8 Install the telephone tray ⑯ in the console tray ⑭ using 4 screws ⑳.

⑧: Cradle conversion wire

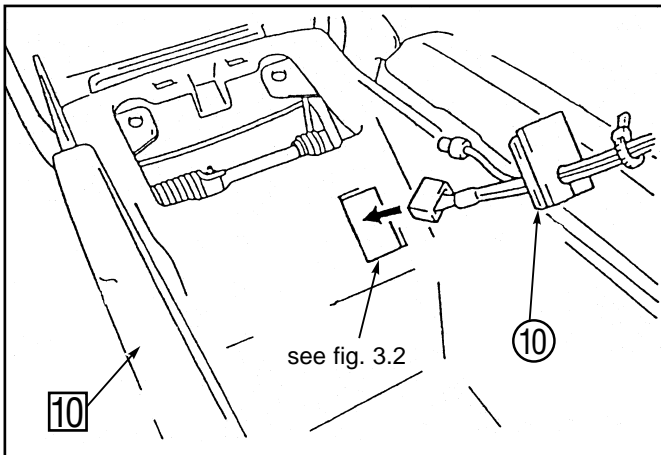
⑳: Flat head screw (4x)

①: Cradle

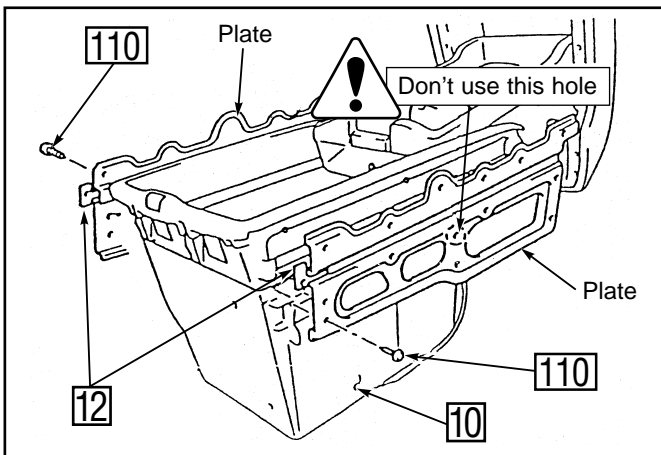


- 3.9 Bundle up the antenna wire ① and cradle conversion wire ⑧ as shown in the illustration using 3 wire ties ⑪.

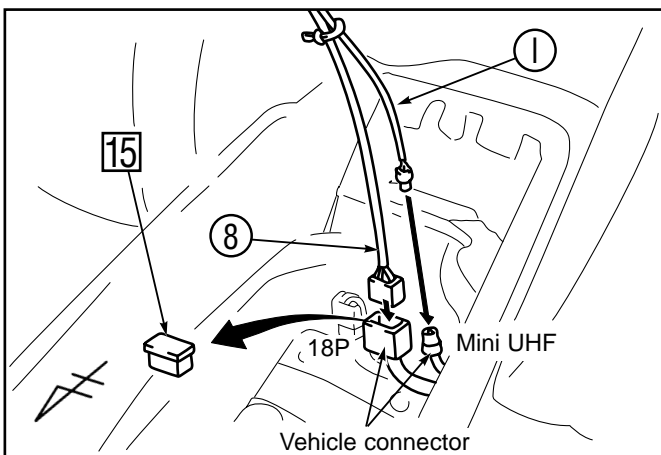
⑪: Wire tie (small) (3x)



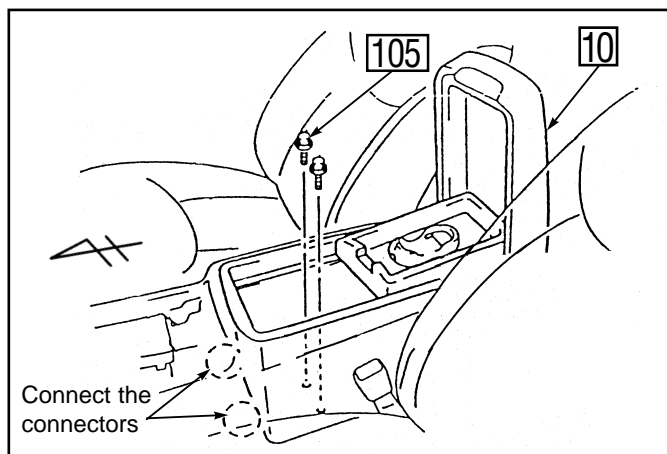
- 3.10 Put the grommet ⑩ around the telephone wire, then pass it through the hole.
The grommet ⑩ should be installed firmly in the hole.



- 3.11 Reinstall the console box ⑩.
⑫: Stopper (2x)
⑪⑩: Screw (26x)

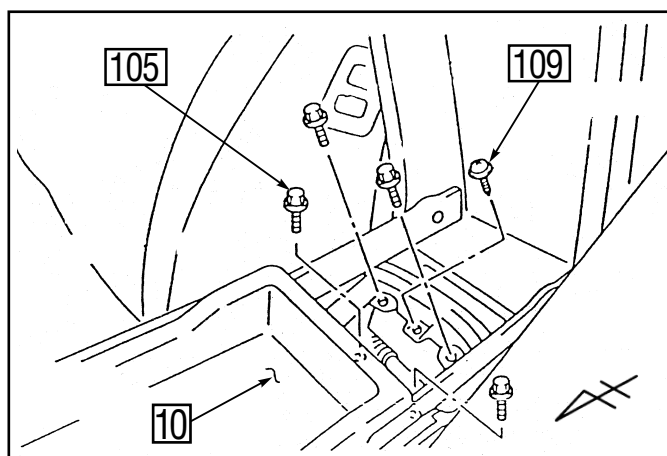


- 3.12
- Locate the 18P vehicle connector at the end of the centre console.
 - Remove the dummy connector ⑮.
 - Connect the cradle conversion wire ⑧ to the 18P vehicle connector.
 - Connect the antenna cord ① to the vehicle connector (Mini UHF).



3.13 Reinstall the console box 10.

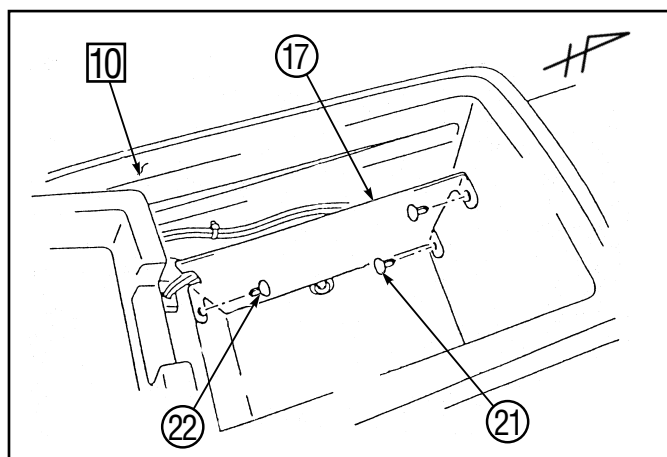
105: Bolt (2x)



3.14 Reinstall the bolts 105 and screw 109 from the lower console box 10.

105: Bolt (4x)

109: Screw (1x)

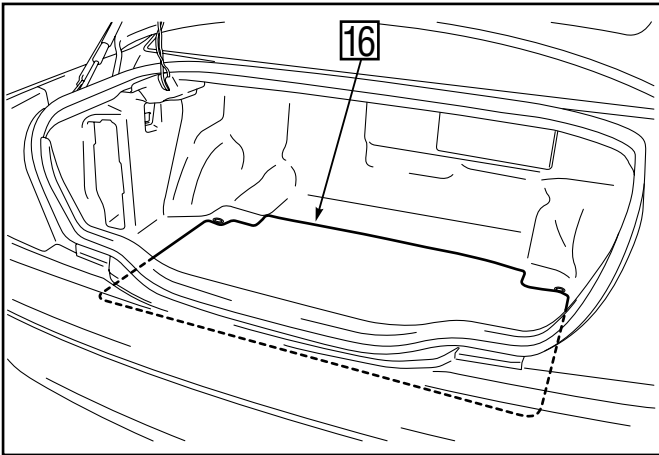


3.15 Put the partition plate 17 in the console box 10 as shown in the illustration, then secure 3 positions using clips 21 and 22. When doing this, be careful not to catch the telephone wire.

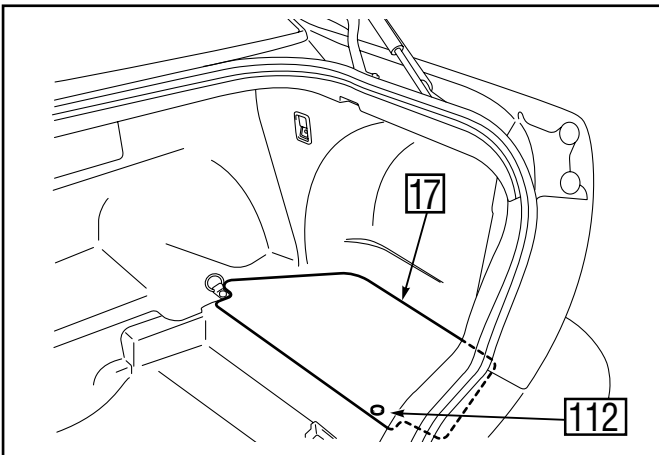
21: Clip (large) (2x)

22: Clip (small) (1x)

4. PSE INSTALLATION

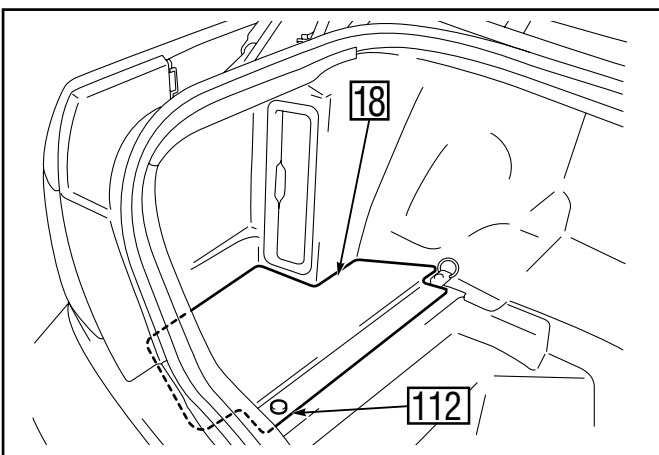


- 4.1 Remove the luggage compartment carpet and floor board 16.



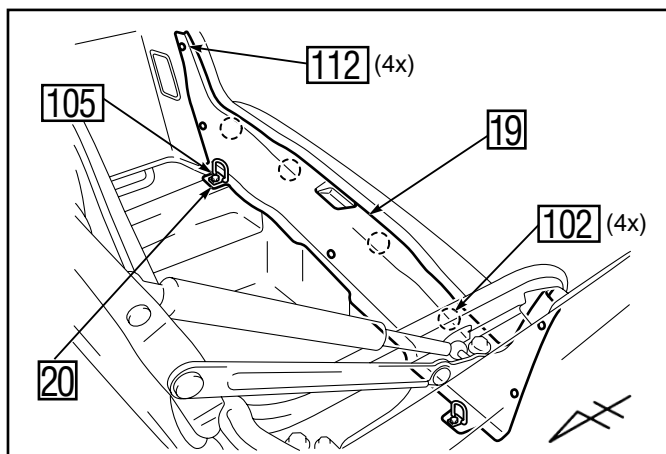
- 4.2 Remove the luggage compartment floor boards (RH) 17.

112: Clip (1x)



- 4.3 Remove the luggage compartment floor boards (LH) 18.

112: Clip (1x)



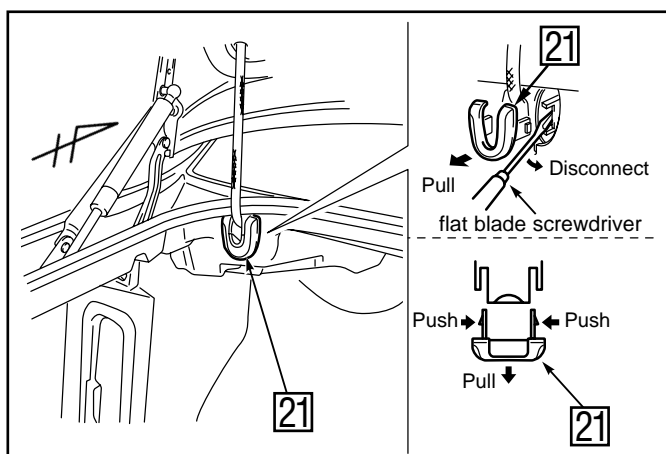
4.4

- a) Remove the D-ring tie downs 20 (LH + RH).
- b) Remove the luggage compartment rear trim 19.

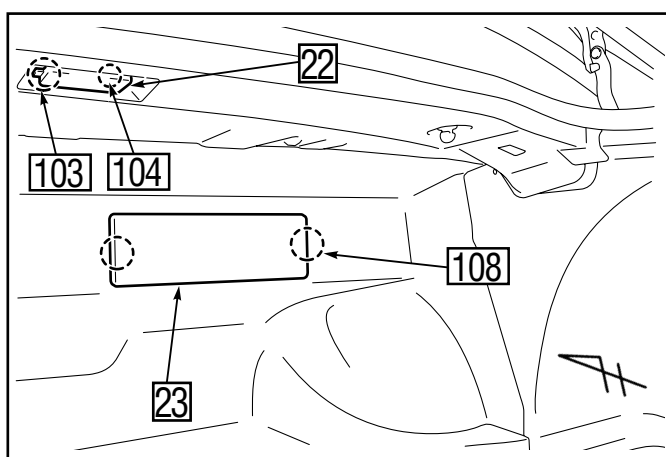
102: Clip (4x)

105: Bolt (2x)

112: Clip (4x)



- 4.5 Remove the luggage cable cover 21.



4.6

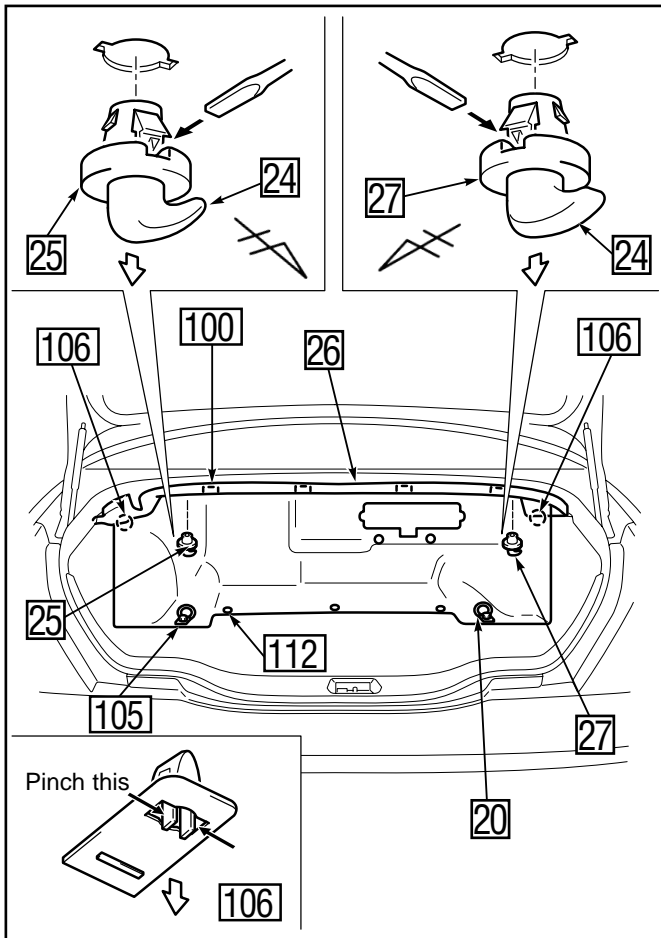
- a) Remove the luggage compartment light 22.

103: Hook (1x)

104: Clip (1x)

- b) Remove the filter cover 23 (if applicable).

108: Clip (2x)



4.7

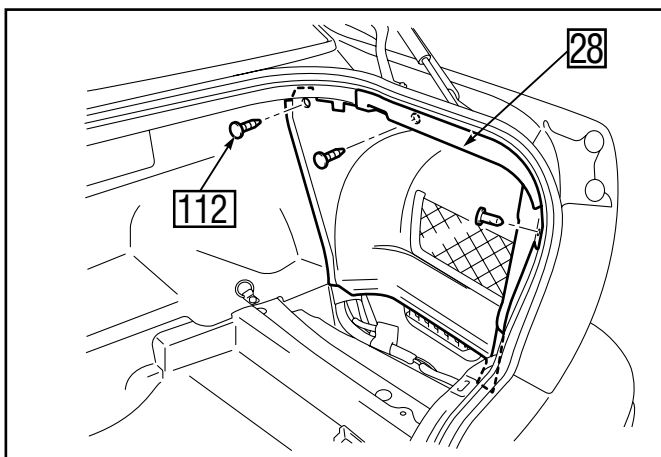
- a) Remove the hook clip (LH) 25.
Turn the clip head 24 of the hook clip (LH) 25 to the front of the vehicle when removing.
- b) Remove the hook clip (RH) 27.
Turn the clip head 24 of the hook clip (RH) 27 to the back of the vehicle when removing.
- c) Remove the D-ring tie downs 20 (LH + RH).
- d) Remove the luggage compartment front trim 26.

105: Bolt (2x)

100: Hook (4x)

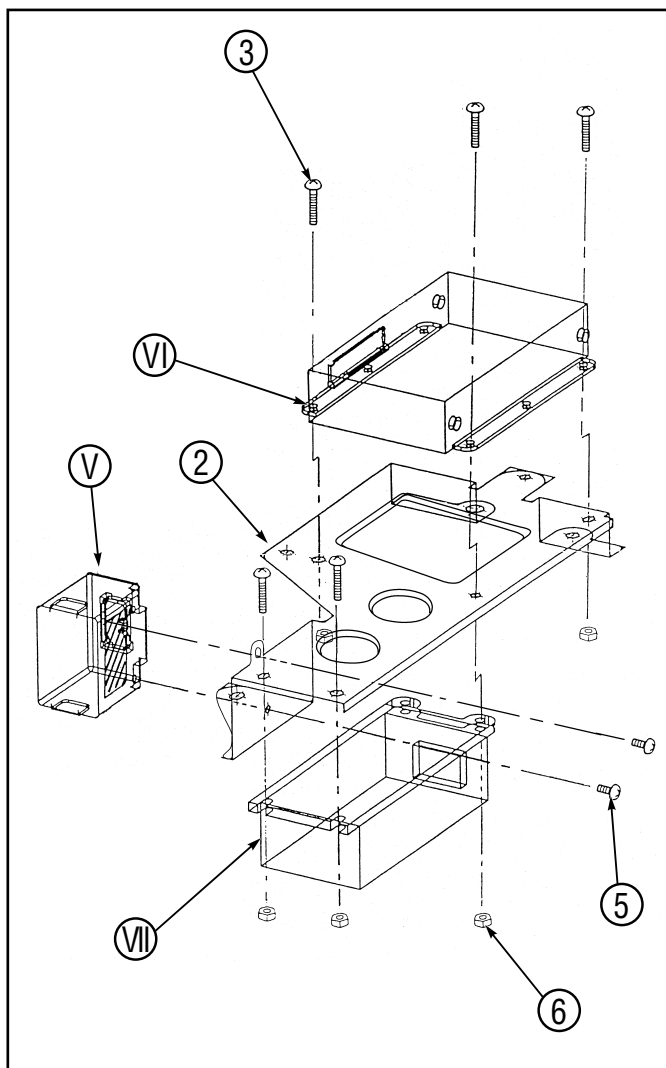
112: Clip (5x)

106: Clip (2x)



- 4.8 Remove the luggage compartment side trim (RH) 28.

112: Clip (3x)



4.9 Install the PSE (VI), the universal controller (VII) and the speaker relay (V) to the bracket (2) using the bolts and nuts.

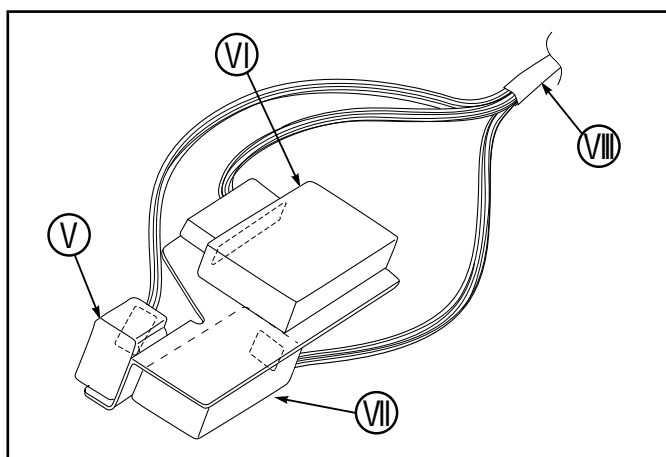
③: Bolt (M4x12) (5x)

⑤: Bolt (M4x4) (2x)

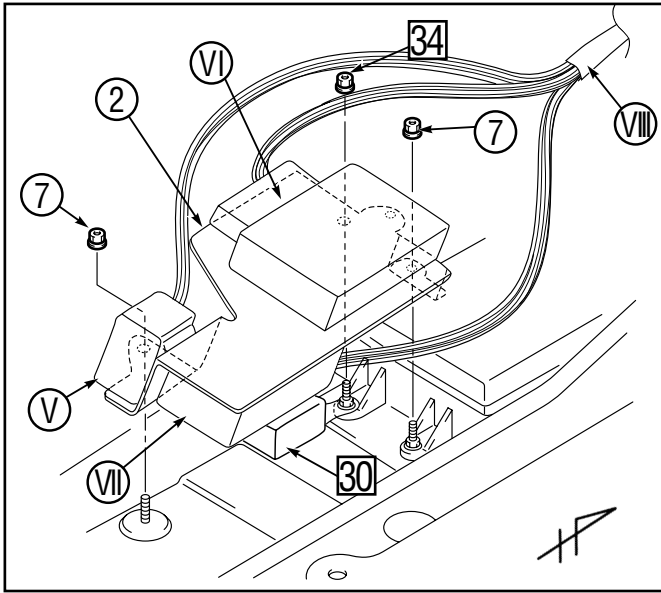
⑥: Nut (M4) (5x)

IMPORTANT

Make sure the connectors of the different parts face as indicated in the drawing.



4.10 Connect the subwire adapter cable (VIII) to the PSE (VI), the universal controller (VII) and the speaker relay (V).

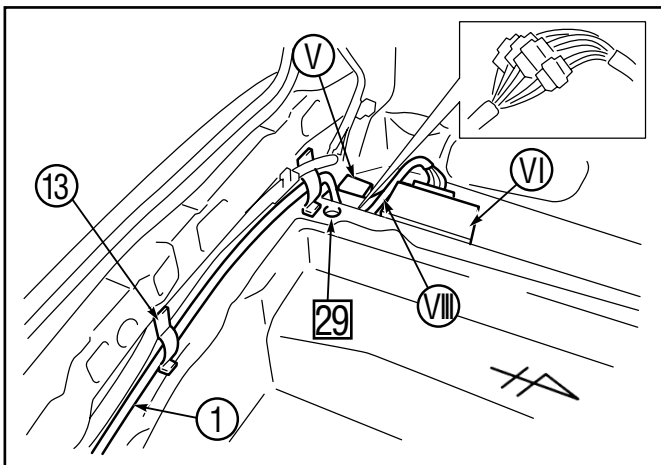


4.11

- a) First, remove one nut 34 that is fastened on the security siren ECU 30 on the rear left position of the luggage compartment. So, it should be released once and be used for the telephone ECU.
- b) Install the bracket 2 on the three stud bolts using three nuts 7 (2x) + 34 from above the security siren bracket and above the nut for the rear J/B.

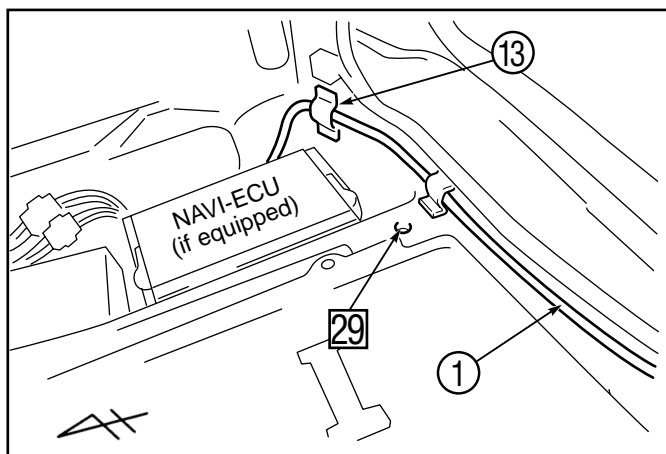
7: Nut (M6) (2x)

34: Nut (M6) (1x)



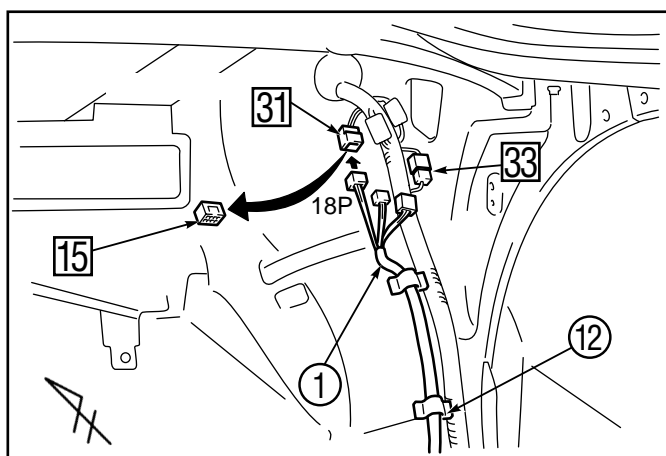
4.12

- a) Connect the 4 connectors at the end of the subwire adapter cable VII to the 4 connectors of the subkit wire harness 1. The connectors are put on the bracket beside the PSE. They should be covered by urethane tape for avoiding the noise.
- b) Route the subkit wire harness 1 along the rear end of the luggage compartment together with the vehicle harness.
- c) Secure the wire harness 1 with strips of foam (small) 13.
- d) Be careful not to cover the original thread hole 29.



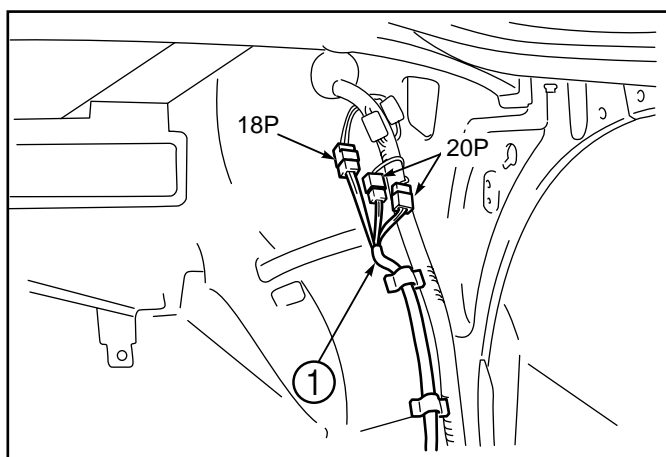
4.13

- a) Route the subkit wire harness ① to the right side of the luggage compartment along the vehicle wire harness.
- b) Secure the wire harness ① with strips of foam (small) ⑬.
- c) Be careful not to cover the original thread hole ⑲.



4.14

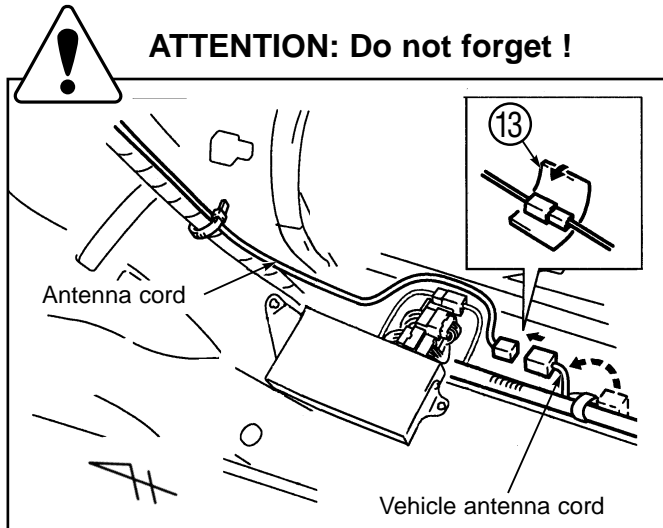
- a) Locate the 18P connector ⑳ of the vehicle wire harness on the front upper right side of the luggage compartment.
- b) Disconnect and discard the dummy connector ⑮ from the 18P vehicle harness ⑳.
- c) Route the subkit wire harness ① and connect the subkit harness 18P connector to the 18P connector ⑳ of the vehicle harness.
- d) Locate and disconnect the 20P connector ㉓.



4.15

- a) Connect the 20P connectors of the subkit wire harness to the disconnected 20P connector ㉓ of the vehicle harness.
- b) Refit the luggage compartment trims, D-rings, covers, boards etc.

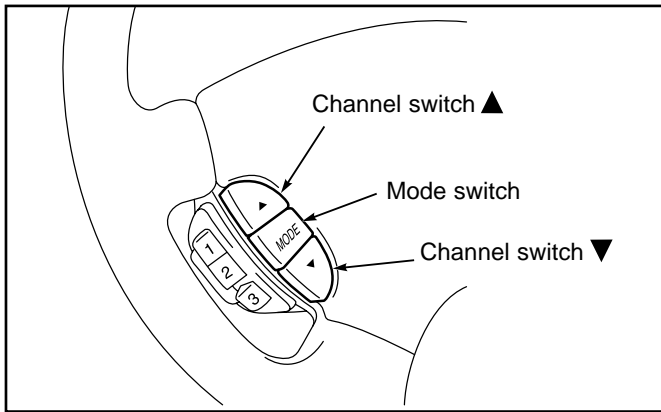
5. ANTENNA CONNECTION



5.1

- a) At the right side of the luggage compartment at the rear lower end of the navigation-ECU (if equipped) locate and release the female antenna connector.
- b) Locate and release the male connector secured to the vehicle wire harness.
- c) Connect the antenna connectors and wrap them in the foam ⑬.

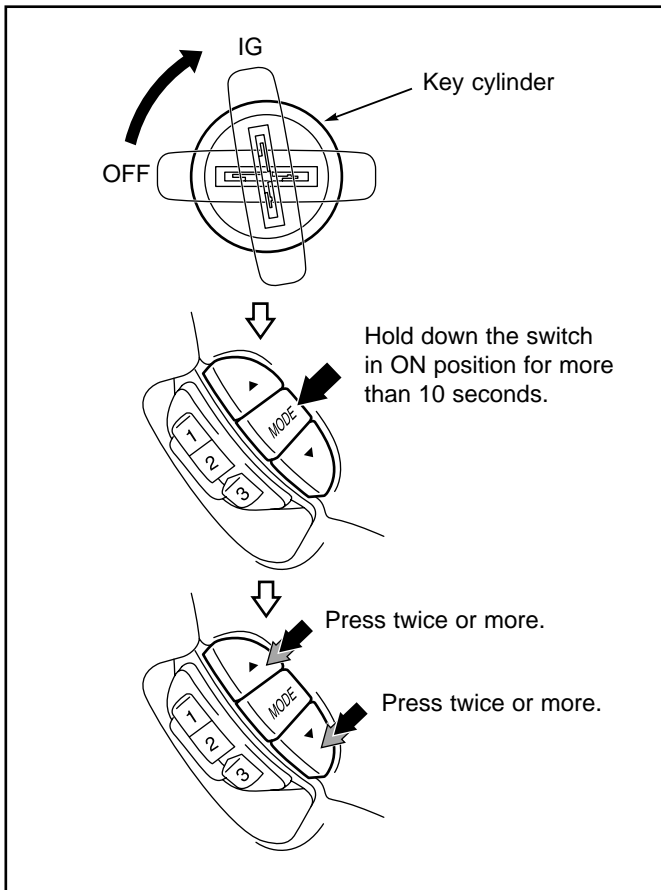
⑬: Foam (small) (1x)



- 6.1 After the installation has been completed, the handsfree mode must be selected by the steering switches. This procedure is necessary to be able to use the handsfree mode. Perform the following steps.

NOTE

Before performing this procedure, check whether all vehicle functions are fully operational.

6.2 **SELECTION PROCEDURE**

- 1) Insert the key in the ignition switch and turn it from OFF to IG. Within 30 seconds thereafter, perform steps (2) and (3).
- 2) Hold down the MODE switch for more than 10 seconds.
- 3) Within 5 seconds
 - a) Press the channel switch ▲ twice or more.
 - b) Press the channel switch ▼ twice or more.

NOTE

If the procedures have not been performed correctly, repeat steps (1) through (3) AFTER a delay of 30 seconds.

The same procedure must be performed when the switch case is to be removed. (E.g. When the Dual-Mode Mobile Phone system is removed from the vehicle and the audio switch is reinstalled).

- 6.3 Verify whether the steering wheel switches are operating.

- 1) Switch the ignition ON.
- 2) Verify whether the phone is in its cradle and switched ON.
- 3) Enter the PIN-code.
- 4) Push any of the 4 buttons on the switch case: a confirmation tone should be heard.
- 5) During a handsfree communication: the speaker volume can be raised and lowered by buttons ① and ②.
- 6) If neither of the steps 4 and 5 operates please perform the "selection procedure" 6.2 again.

7. REASSEMBLY

Reconnect the battery.
Test all functions.
Refit all parts.

8. PUTTING INTO SERVICE

Before returning the vehicle to the customer, test the phone for proper operation by following the instructions “**Getting Started**” in the Owner’s Manual.

In the event that the default language has to be changed, please select “language selection” in the **Phone setup menu** (see Owner’s Manual).

