

INSPECTION

1. CHECK FLUID LEVEL

- (a) Keep the vehicle level.
- (b) With the engine stopped, check the fluid level in the oil reservoir.

If necessary, add fluid.

Fluid: ATF DEXRON® II or III

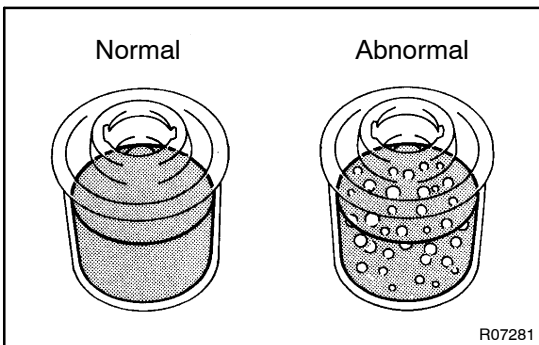
HINT:

Check that the fluid level is within the HOT LEVEL range on the reservoir cap dipstick.

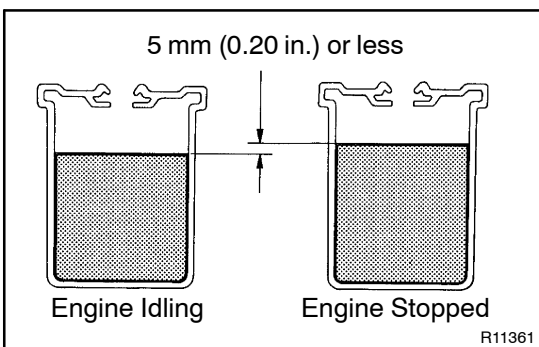
If the fluid is cold, check that it is within the COLD LEVEL range.

- (c) Start the engine and run it at idle.
- (d) Turn the steering wheel from lock to lock several times to boost fluid temperature.

Fluid temperature: 80°C (176°F)



- (e) Check for foaming or emulsification. If there is foaming or emulsification, bleed power steering system [See page SR-4]

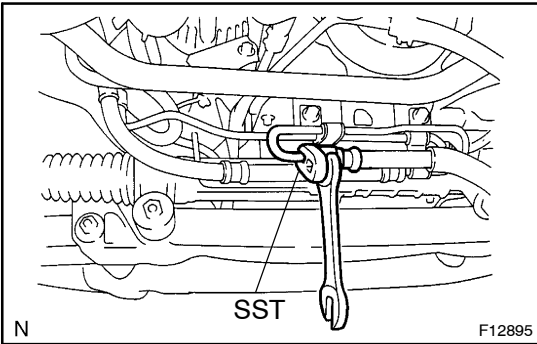


- (f) With the engine idling, measure the fluid level in the oil reservoir.
- (g) Stop the engine.
- (h) Wait a few minutes and remeasure the fluid level in the oil reservoir.

Maximum fluid level rise: 5 mm (0.20 in.)

If a problem is found, bleed power steering system [See page SR-4]

- (i) Check the fluid level.

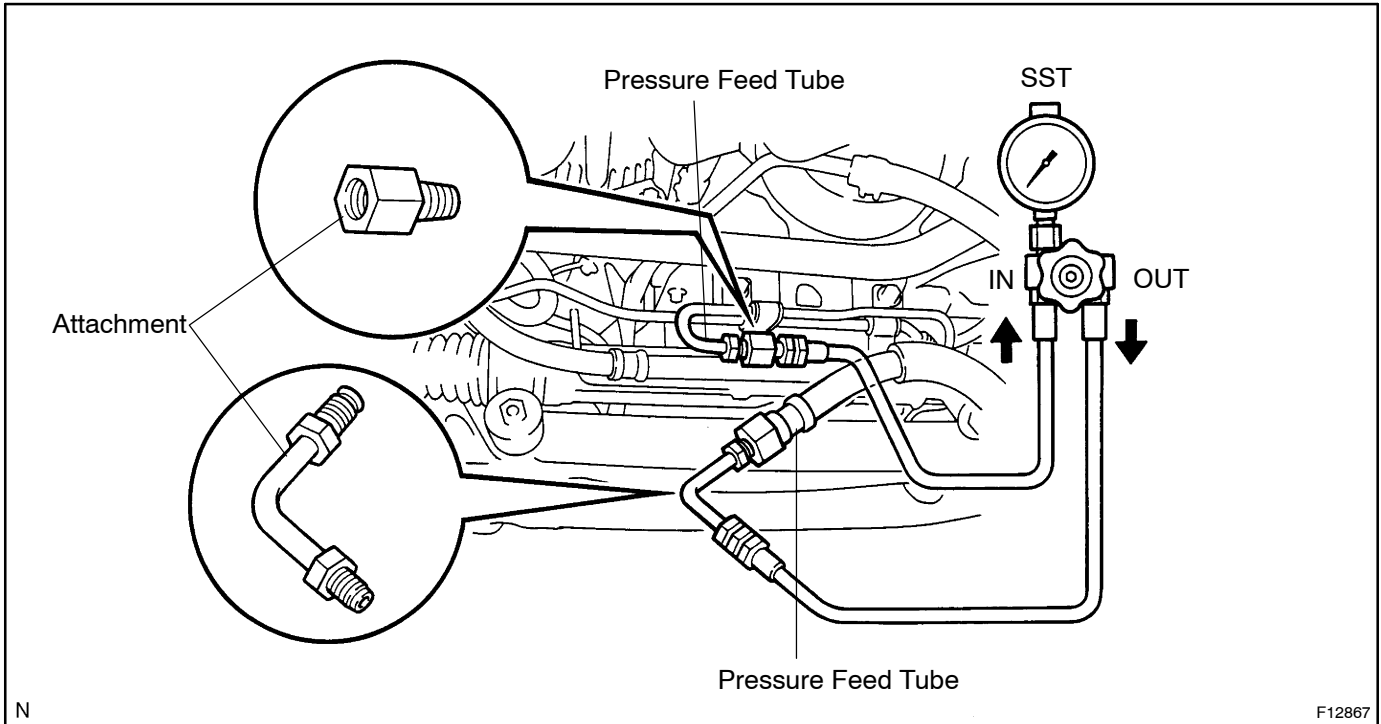


2. CHECK STEERING FLUID PRESSURE

- (a) Place matchmarks on the pressure feed tubes.
- (b) Using SST, disconnect the pressure line joint.
SST 09023-12700
- (c) Connect SST, as shown in the illustration below.
SST 09640-10010 (09641-01010, 09641-01030, 09641-01040)

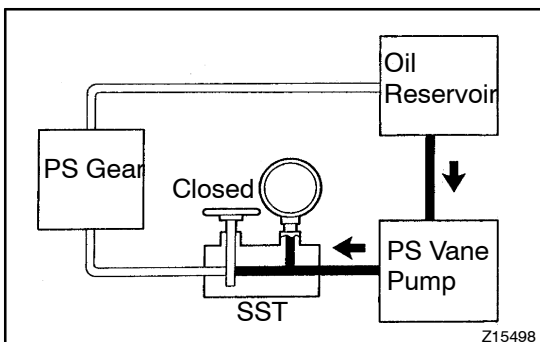
NOTICE:

Check that the valve of the SST is in the open position.



- (d) Bleed the power steering system (See page SR-4).
- (e) Start the engine and run it at idle.
- (f) Turn the steering wheel from lock to lock several times to boost fluid temperature.

Fluid temperature: 80 °C (176 °F)

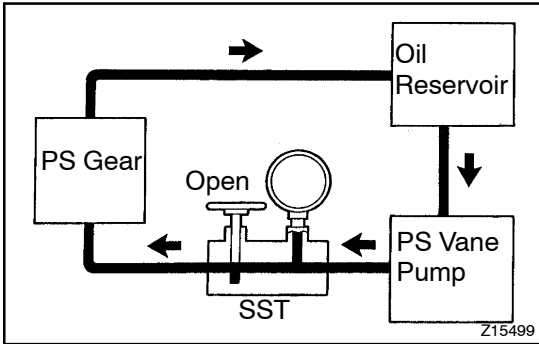


- (g) With the engine idling, close the valve of the SST and observe the reading on the SST.

**Minimum fluid pressure:
8,336 kPa (85 kgf/cm², 1,209 psi)**

NOTICE:

- Do not keep the valve closed for more than 10 seconds.
- Do not let the fluid temperature become too high.

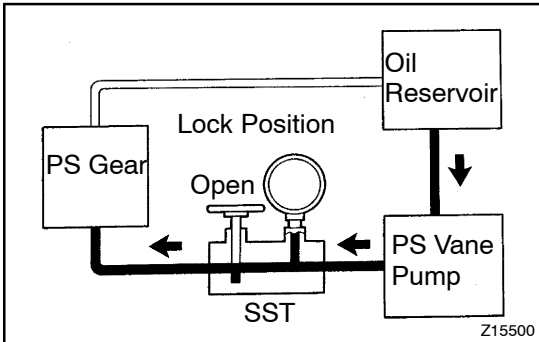


- (h) With the engine idling, open the valve fully.
 (i) Measure the fluid pressure at engine speeds of 1,000 rpm and 3,000 rpm.

Difference fluid pressure:
490 kPa (5 kgf/cm², 71 psi) or less

NOTICE:

Do not turn the steering wheel.



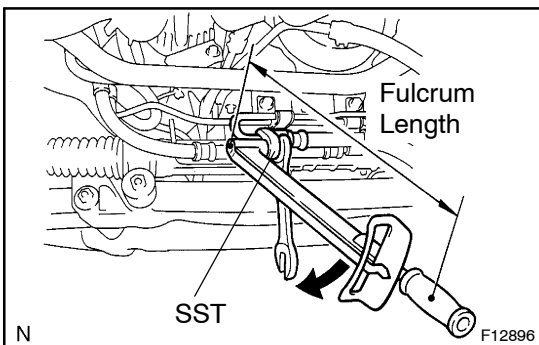
- (j) With the engine idling and valve fully opened, turn the steering wheel to full lock.

Minimum fluid pressure:
8,336 kPa (85 kgf/cm², 1,209 psi)

NOTICE:

- **Do not maintain lock position for more than 10 seconds.**
 - **Do not let the fluid temperature become too high.**
- (k) Disconnect the SST.

SST 09640-10010 (09641-01010, 09641-01030, 09641-01040)



- (l) Align the matchmarks on the pressure feed tubes and connect them with SST.

SST 09023-12700

Torque: 40 N·m (410 kgf·cm, 30 ft·lbf)

HINT:

- Use a torque wrench with a fulcrum length of 345 mm (13.58 in.).
- This torque value is effective in case that SST is parallel to a torque wrench.

- (m) Bleed the power steering system (See page SR-4)