

LT 75W-85 API GL-5 Differential Gear Oil

Service Category Drivetrain

Section Axle/Differential

Market USA

Toyota Supports
 ASE Certification 

Applicability

YEAR(S)	MODEL(S)	ADDITIONAL INFORMATION
2008 – 2009	Sequoia	
2007 – 2008	4Runner, FJ Cruiser	
2007 – 2009	Tundra	
2008 – 2009	Land Cruiser	

Introduction

The differential gear oil specified for many Toyota vehicles has changed to 75W-85 GL5 synthetic gear oil, beginning with some 2007 and 2008 model year vehicles. Please refer to the Parts Information section below for information about this gear oil, and use this gear oil when filling front or rear differentials on applicable vehicles.

Warranty Information

OP CODE	DESCRIPTION	TIME	OFF	T1	T2
N/A	Not Applicable to Warranty	–	–	–	–

Parts Information

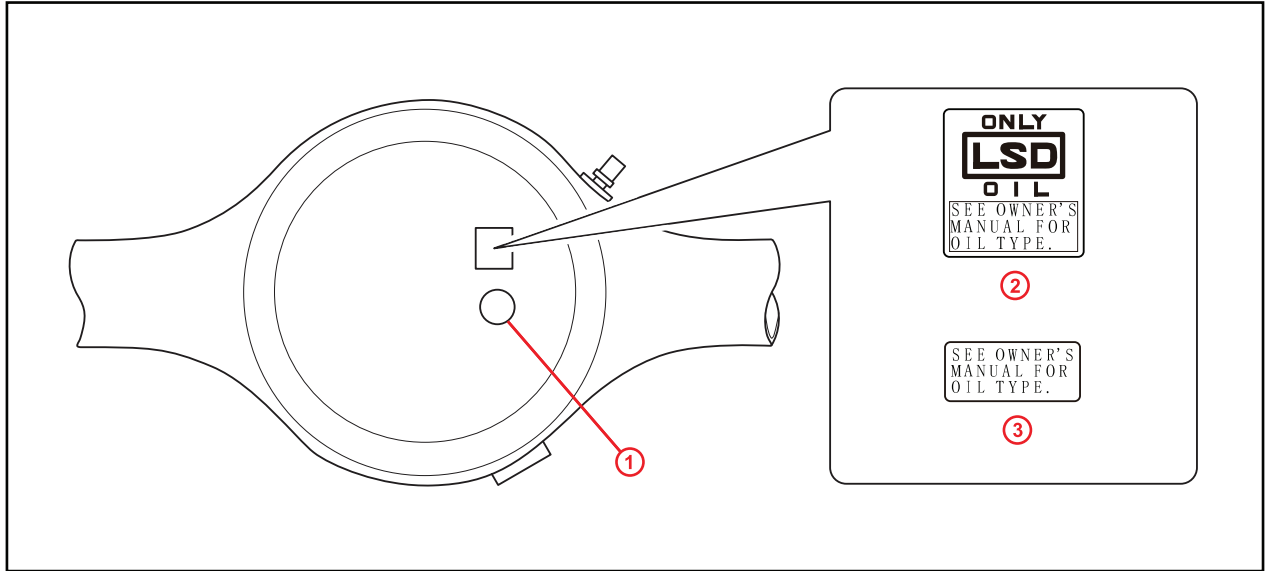
PREVIOUS PART NUMBER	CURRENT PART NUMBER	PART NAME	TYPE	QTY
N/A	08885-02606	Toyota Genuine Differential Gear Oil LX 75W-85 API GL-5 SAE 75W-85	LSD	As Needed
N/A	08885-02506	Toyota Genuine Differential Gear Oil LT 75W-85 API GL-5 SAE 75W-85	w/o LSD	As Needed

LT 75W-85 API GL-5 Differential Gear Oil

Parts Information (Continued)

Refer to Figure 1 below to identify if LSD or non-LSD gear oil is required. For applicable vehicles, there is a caution label above the filler plug, as shown below to identify the type of oil used in the differential assembly.

Figure 1.



1	Filler Plug
2	With LSD

3	Without LSD
----------	--------------------