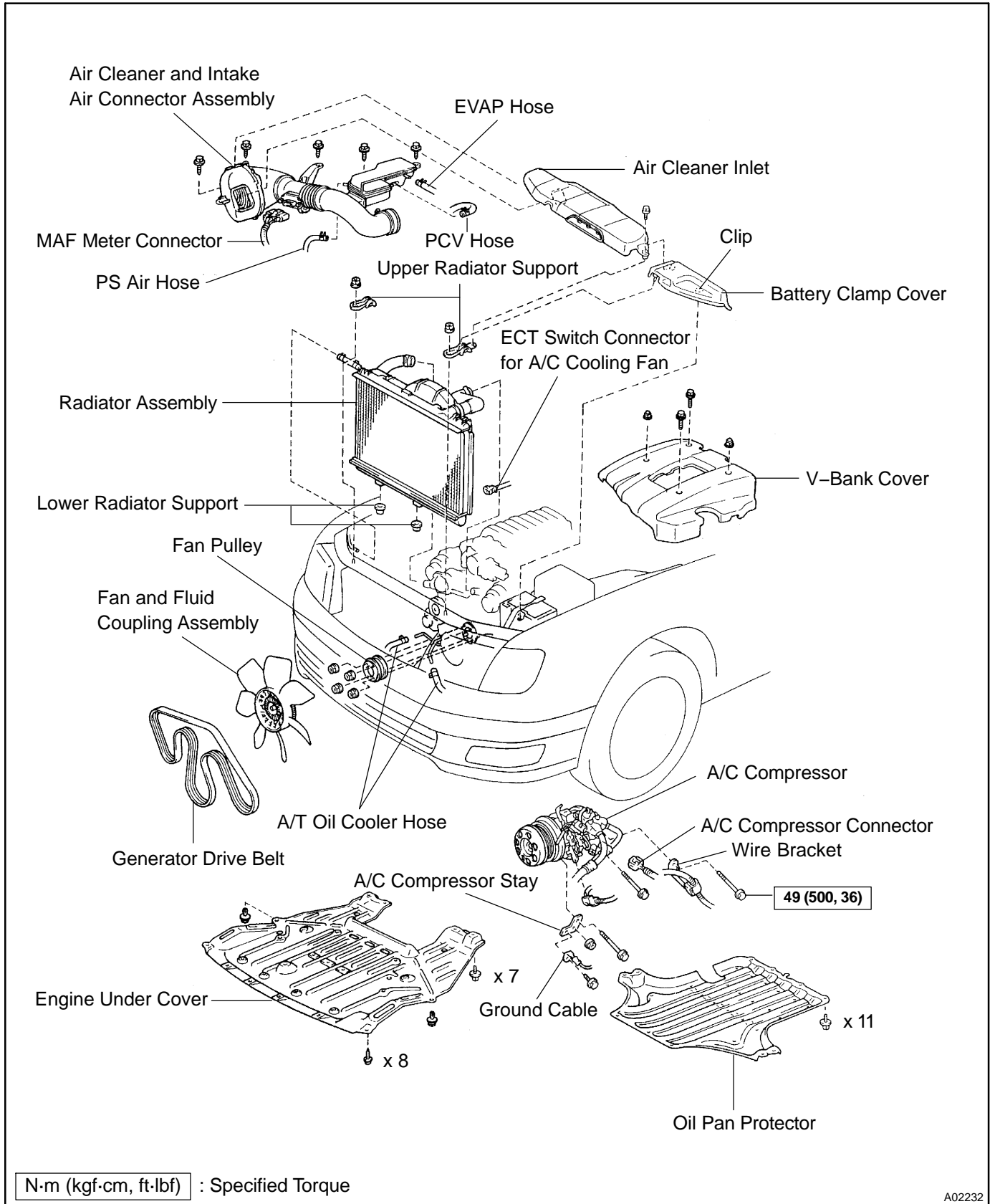


# TIMING BELT COMPONENTS

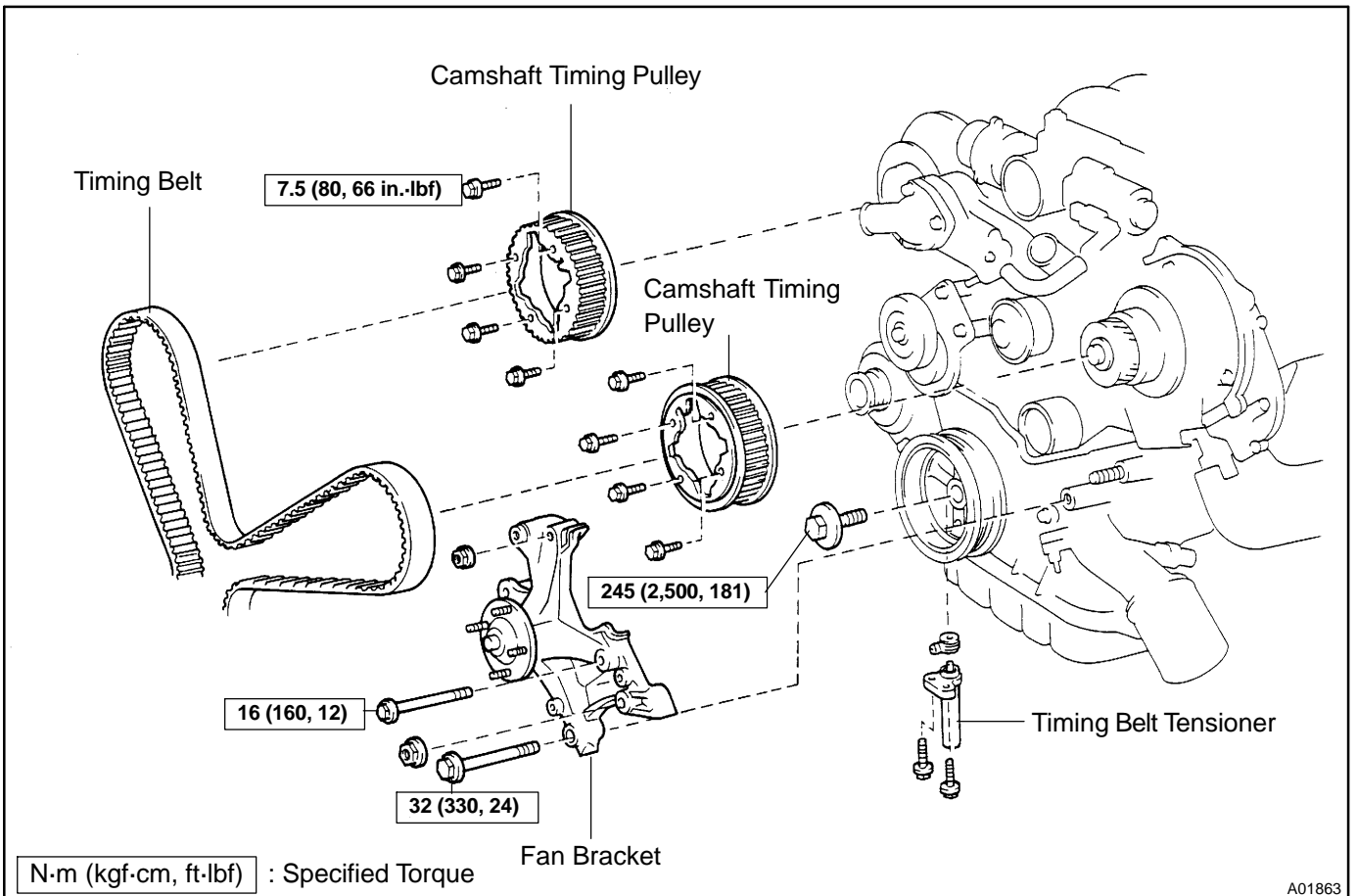
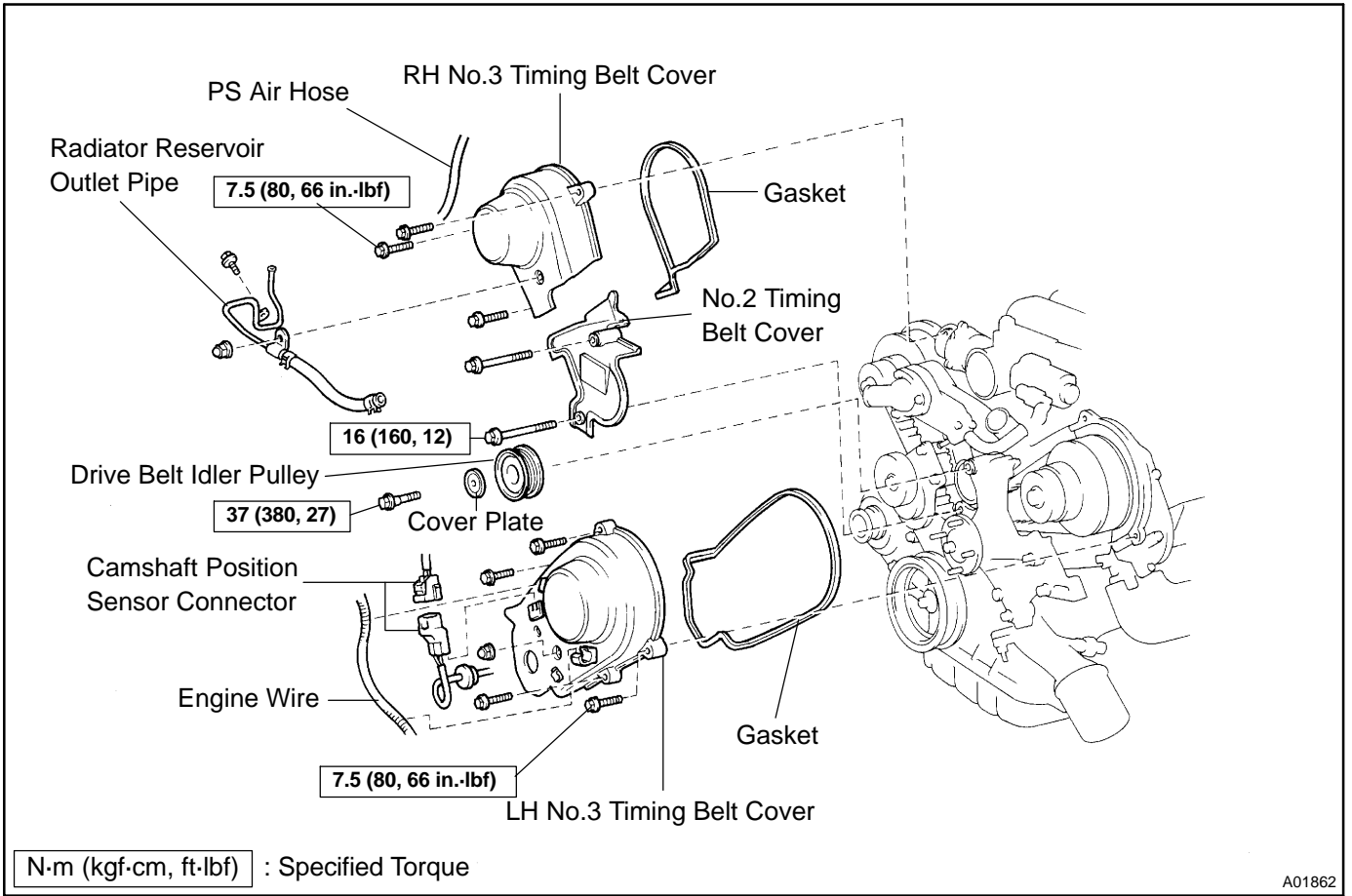
EM09L-01

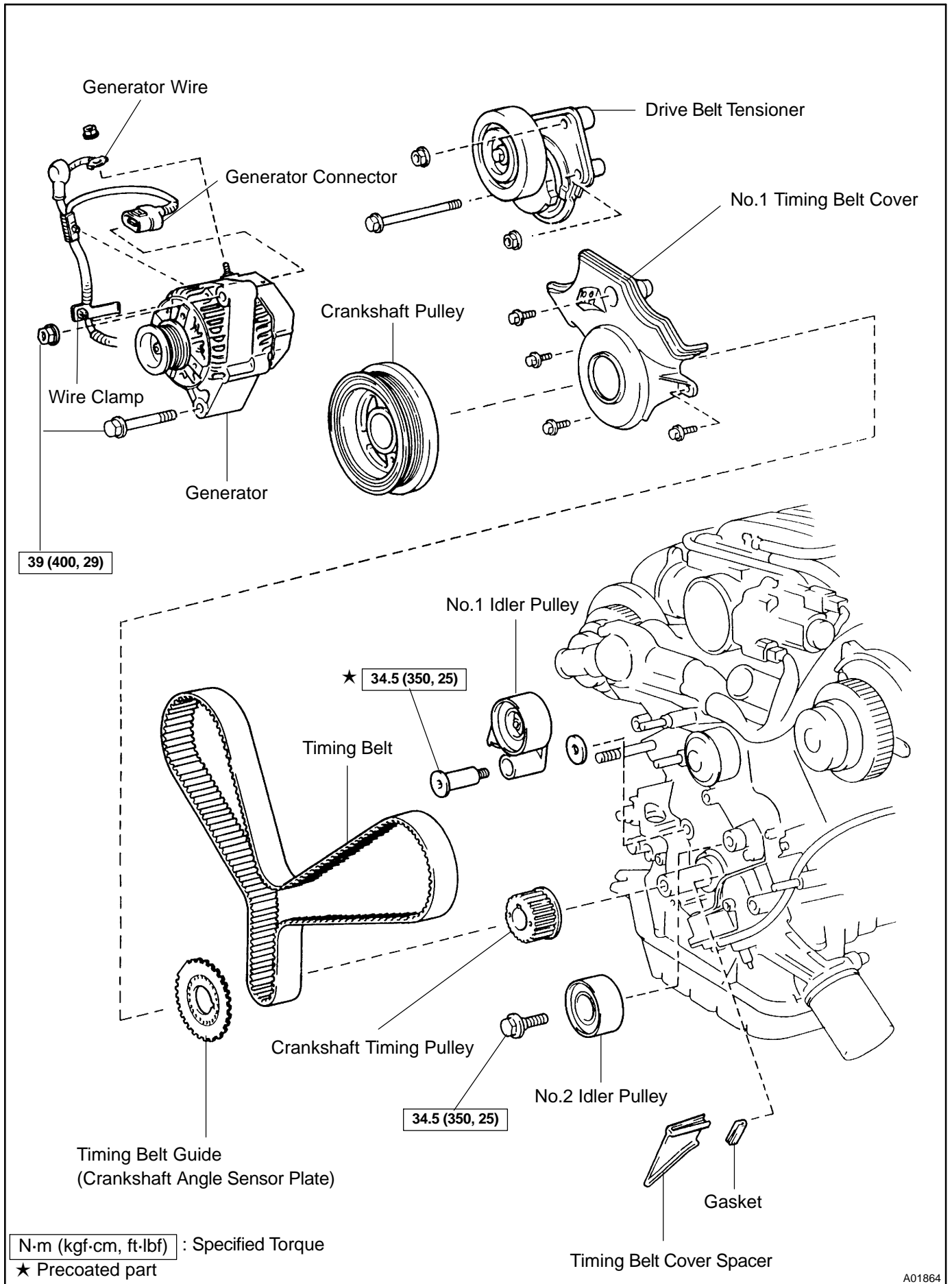


**N·m (kgf·cm, ft·lbf)** : Specified Torque

A02232

ENGINE MECHANICAL - TIMING BELT





A01864