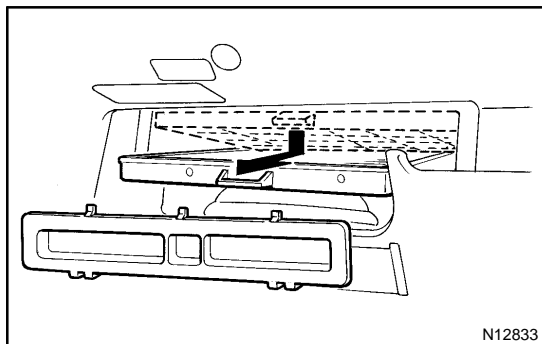


AIR REFINER FILTER REMOVAL

ACOPP-01

1. OPEN INSTRUMENT PANEL BOX ASSEMBLY



2. REMOVE AIR REFINER FILTER

- Remove the glove box cover.
- Remove the filter cover.
- Pull out the filter assembly.
- Remove the filter from filter case.

CAUTION:

Confirm the blower switch is off, when removing the filter.