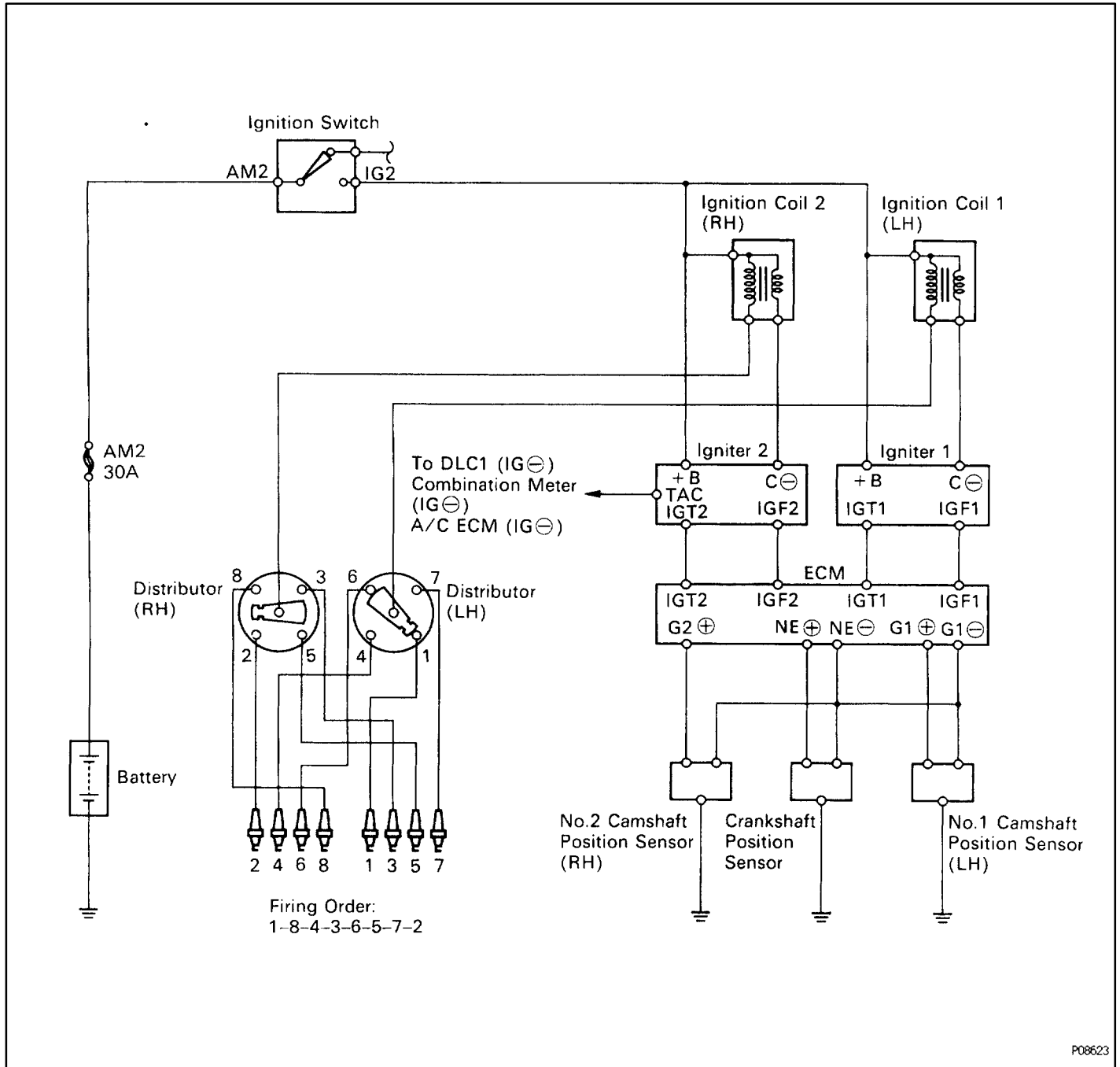


SYSTEM CIRCUIT

IG01A-04



P08623

OPERATION

IG01B-05

To maintain the most appropriate ignition timing, the ECM sends a control signal so that the igniter sends current to the ignition coil and the spark plugs produce a spark.