

IGNITION TIMING INSPECTION

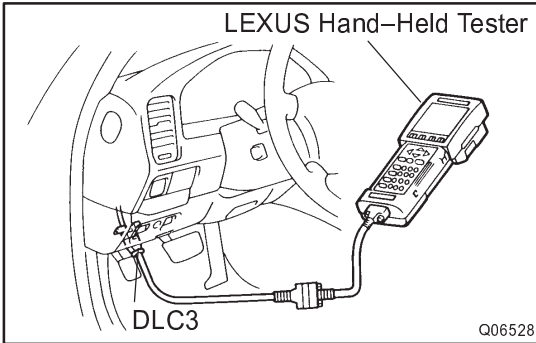
EM09J-02

1. REMOVE BATTERY CLAMP COVER
2. REMOVE AIR CLEANER INLET
3. REMOVE V-BANK COVER

Remove the 2 cap nuts, bolt and V-bank cover.

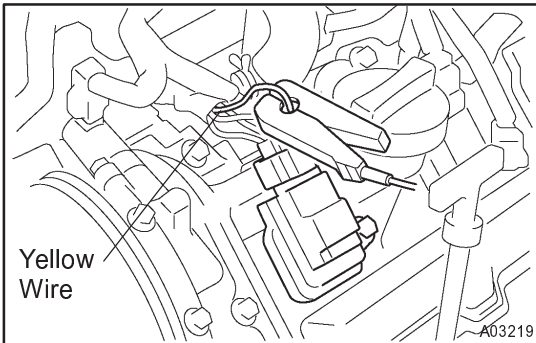
4. WARM UP ENGINE

Allow the engine to warm up to normal operating temperature.



5. CONNECT LEXUS HAND-HHELD TESTER OR OBD II SCAN TOOL

- (a) Connect the hand-held tester or OBD II scan tool to the DLC3.
- (b) Please refer to the hand-held tester or OBD II scan tool operator's manual for further details.



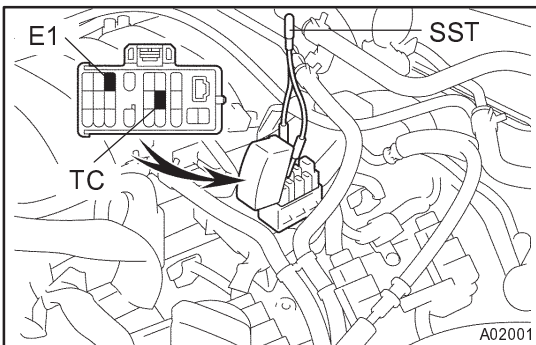
6. CONNECT TIMING LIGHT TO ENGINE

Connect the tester probe of a timing light to the yellow lead wire of the ignition coil connector for No.1 cylinder.

7. CHECK IDLE SPEED

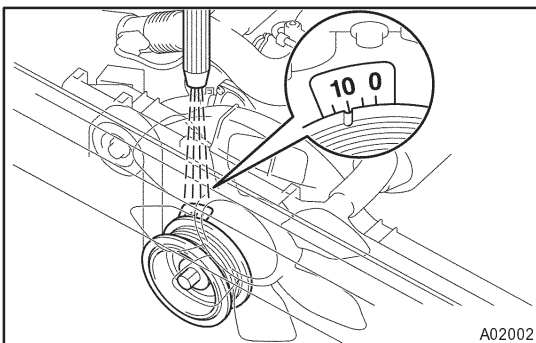
- (a) Race the engine speed at 2,500 rpm for approx. 90 seconds.
- (b) Check the idle speed.

Idle speed: 750 ± 50 rpm



8. INSPECT IGNITION TIMING

- (a) Using SST, connect terminals TC and E1 of the DLC1.
SST 09843-18020



- (b) Using a timing light, check the ignition timing.

**Ignition timing: 8 – 12° BTDC @ idle
(Transmission in neutral position)**

- (c) Remove the SST from the DLC1.
SST 09843-18020

9. DISCONNECT TIMING LIGHT FROM ENGINE

10. DISCONNECT LEXUS HAND-HHELD TESTER OR OBD II SCAN TOOL

11. REINSTALL V-BANK COVER

12. REINSTALL AIR CLEANER INLET

13. REINSTALL BATTERY CLAMP COVER