

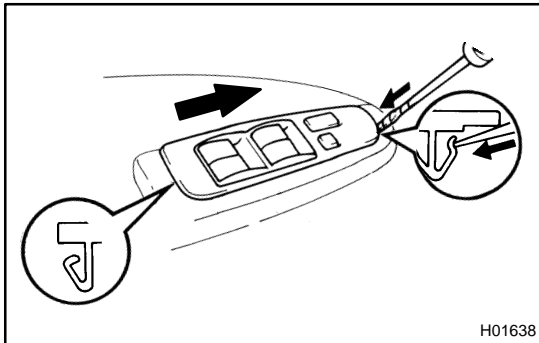
REMOVAL

1. REMOVE UPPER BRACKET GARNISH

Using a screwdriver, remove the garnish.

HINT:

Tape the screwdriver tip before use.

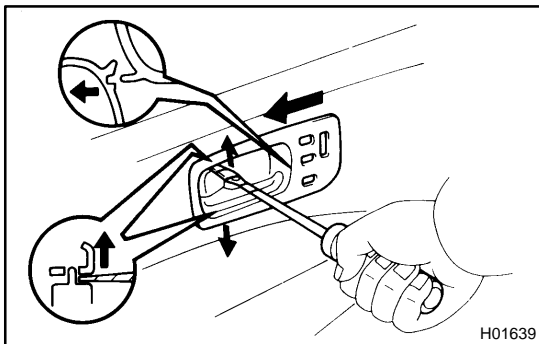


2. REMOVE ARMREST BASE PANEL

Using a screwdriver, remove the panel as shown in the illustration.

HINT:

Tape the screwdriver tip before use.



3. REMOVE INSIDE HANDLE BEZEL

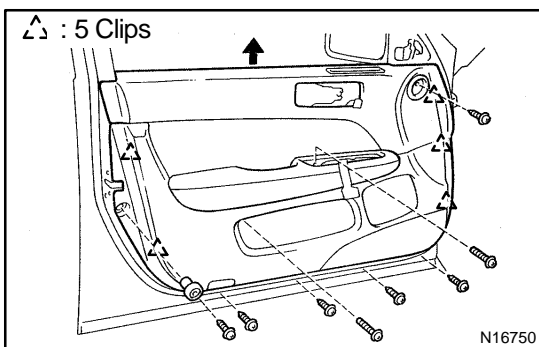
(a) Using a screwdriver, pry outward where the handle and bezel meet.

HINT:

Tape the screwdriver tip before use.

(b) With the door handle in open position, remove the bezel as shown in the illustration.

(c) Disconnect the connector.



4. REMOVE DOOR TRIM

(a) Using a screwdriver, remove the courtesy light, then disconnect the connector.

HINT:

Tape the screwdriver tip before use.

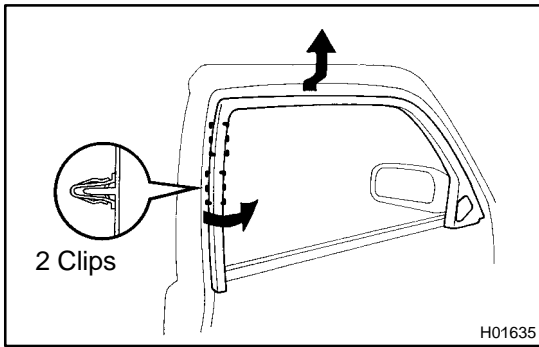
(b) Remove the 8 screws.

(c) Insert a screwdriver between the door panel and door trim to pry the trim out.

HINT:

Tape the screwdriver tip before use.

(d) Pull the trim upward to remove the door trim.

**5. REMOVE DOOR FRAME GARNISH**

- (a) Remove the screw.
- (b) Twist the garnish toward the vehicle interior.
- (c) Pull the whole garnish upwards.

6. REMOVE TWEETER SPEAKER**7. REMOVE OUTSIDE REAR VIEW MIRROR**

- (a) Disconnect the connector.
- (b) Remove the 3 screws and outside rear view mirror.

Torque: 5.5 N·m (56 kgf·cm, 49 in.-lbf)