

DISASSEMBLY

1. REMOVE WIND DEFLECTOR

- (a) Using a screwdriver, slide the drive rail backward.

HINT:

Tape the screwdriver tip before use.

- (b) Remove the 4 screws and deflector.

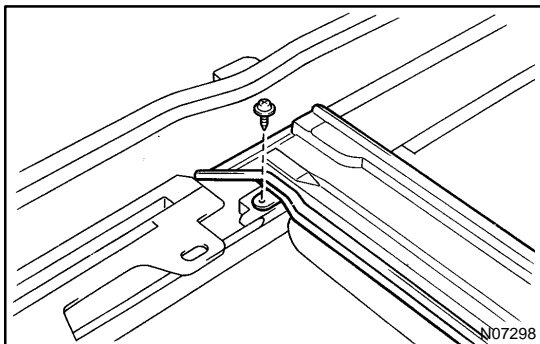
BOOP0-01

2. REMOVE CABLE GUIDE CASING

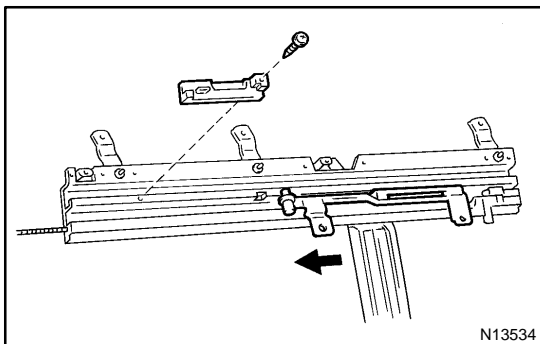
- (a) Remove the 10 bolts from the cable guide casing.

- (b) Slide the drive rail forward.

- (c) Remove the cable guide casing.



3. REMOVE ROOF DRIP CHANNEL
4. REMOVE SLIDING ROOF CASING
5. REMOVE SUNSHADE TRIM

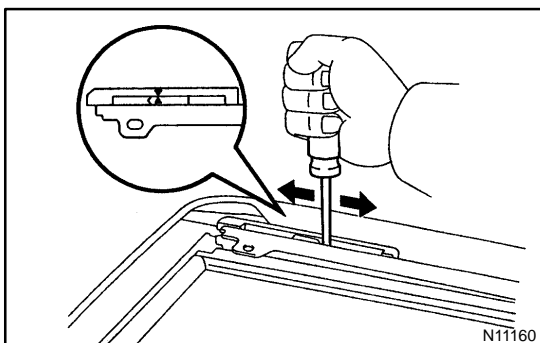


6. REMOVE DRIVE RAIL STOPPER

Remove the screw and stopper.

7. REMOVE DRIVE RAIL

Slide the drive rail forward, then remove it.



8. ADJUST DRIVE RAIL

HINT:

Adjust the drive rail to a closed and tilted down position.

- (a) Using a screwdriver, slide the link forward or backward to align the 2 marks as shown.

- (b) Slide the bracket to the forefront by hand.