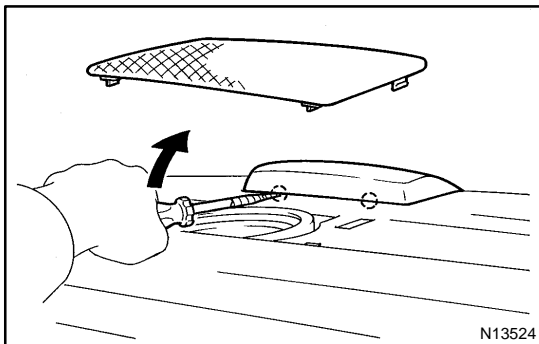
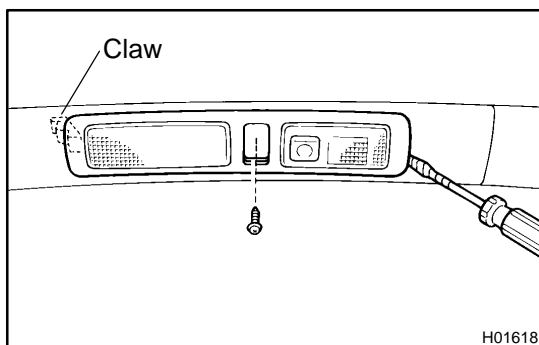


## REMOVAL

1. REMOVE FRONT SEAT  
Torque: 37 N·m (375 kgf·cm, 27 ft·lbf)
2. REMOVE REAR SEAT CUSHION
3. REMOVE REAR SEAT BELT FLOOR ANCHORS  
Torque: 43 N·m (440 kgf·cm, 32 ft·lbf)
4. REMOVE REAR SEATBACK  
Torque: 18 N·m (185 kgf·cm, 13 ft·lbf)
5. REMOVE FRONT DOOR SCUFF PLATES
6. REMOVE REAR DOOR SCUFF PLATES
7. REMOVE REAR SEAT SIDE GARNISHES



8. REMOVE HIGH-MOUNTED STOP LIGHT
9. REMOVE SPEAKER GRILLE
10. CANADA:  
REMOVE CRS TETHER ANCHOR COVERS AND  
TETHER ANCHOR BRACKETS  
Torque: 21 N·m (210 kgf·cm, 15 ft·lbf)
11. REMOVE PACKAGE TRAY TRIM
12. REMOVE ASSIST GRIPS
13. REMOVE CENTER PILLAR GARNISHES

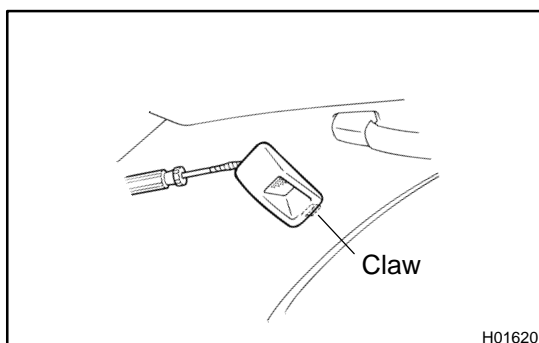


14. REMOVE REAR PERSONAL LIGHT
  - (a) Remove the screw.
  - (b) Using a screwdriver, remove the light as shown in the illustration.

### HINT:

Tape the screwdriver tip before use.

- (c) Disconnect the connector.
- (d) Employ the same manner described above to the other side.



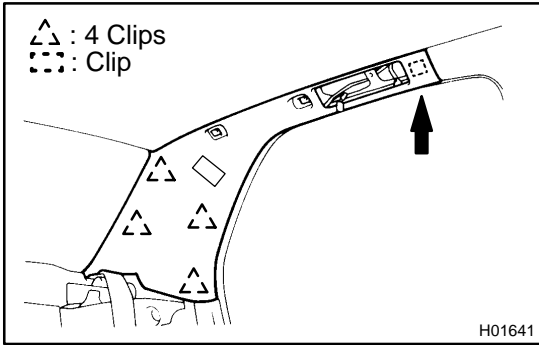
15. REMOVE SPOT LIGHT

- (a) Using a screwdriver, remove the light as shown in the illustration.

### HINT:

Tape the screwdriver tip before use.

- (b) Disconnect the connector.
- (c) Employ the same manner described above to the other side.



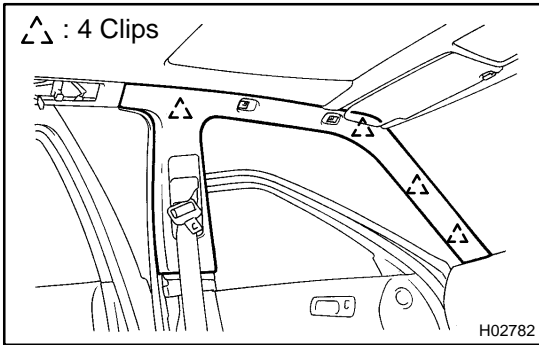
**16. REMOVE ROOF SIDE INNER GARNISH**

(a) Remove the roof side inner garnish.

**NOTICE:**

Paying enough attention remove the clip on the roof side inner garnish shown in the illustration. Otherwise, the roof side inner garnish or the front pillar garnish might be broken.

(b) Employ the same manner described above to the other side.



**17. REMOVE FRONT PILLAR GARNISH**

(a) Remove the front seat outer belt shoulder anchor.

(b) Remove the front pillar garnish.

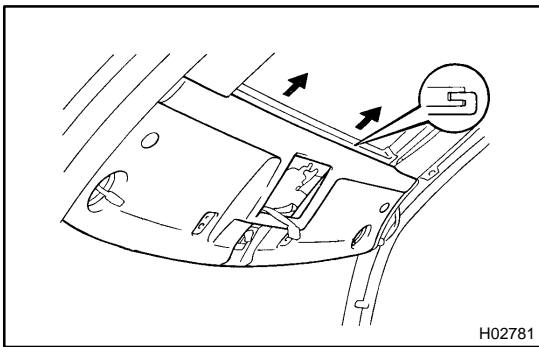
(c) Employ the same manner described above to the other side.

**18. REMOVE SUN VISORS AND HOLDERS**

**19. REMOVE PERSONAL LIGHT**

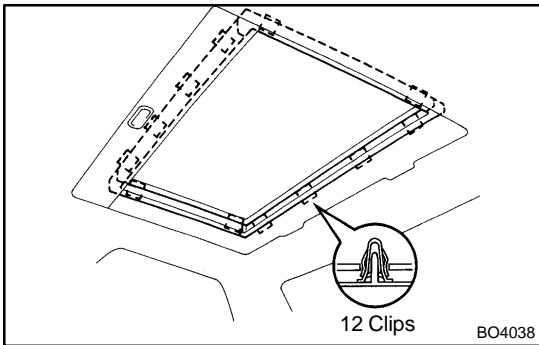
**20. REMOVE CENTER VISOR**

**21. REMOVE INNER REAR VIEW MIRROR**



**22. REMOVE FRONT ROOF HEADLINING**

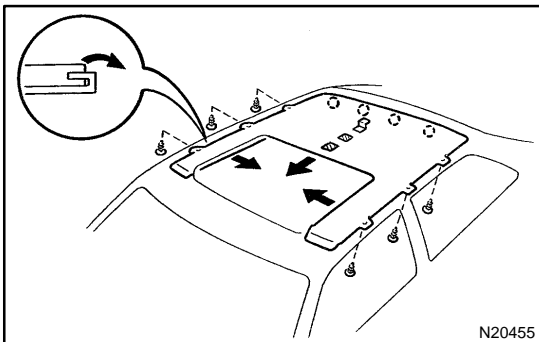
Remove the front roof headlining as shown in the illustration.



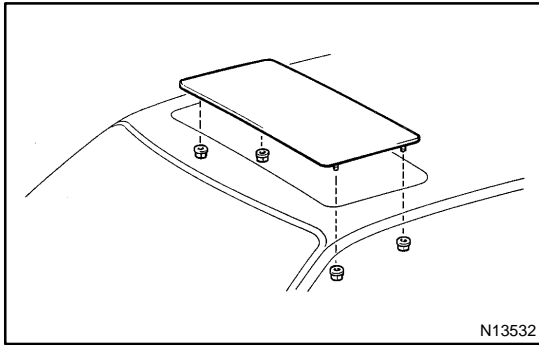
**23. REMOVE SLIDING ROOF GARNISH**

**HINT:**

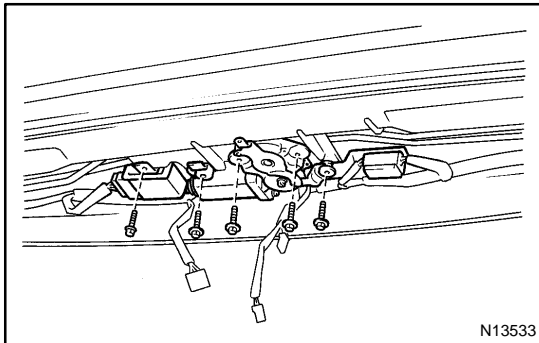
- Do not scratch the glass or garnish with the screwdriver.
  - Tape a screwdriver tip before use.
- (a) Using the screwdriver, remove 4 sliding roof garnishes.



(b) Remove the roof headlining.

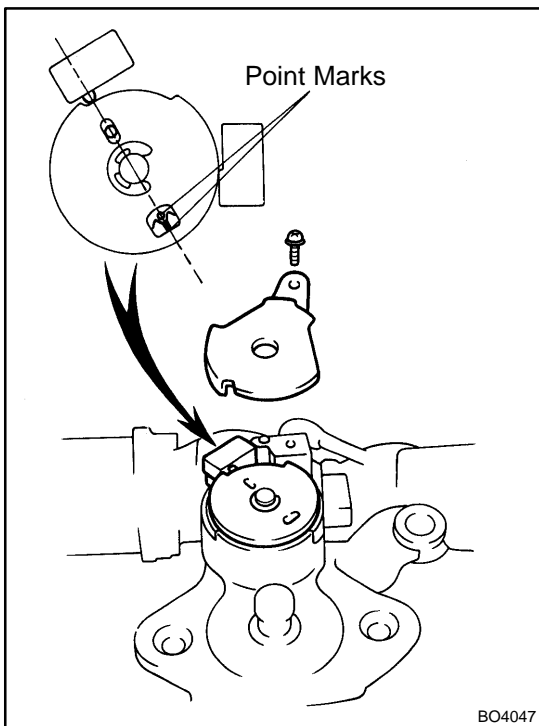
**24. REMOVE SLIDING ROOF GLASS**

- (a) Remove the 4 nuts.
- (b) Pull the glass upward to remove it.

**25. REMOVE SLIDING ROOF CONTROL RELAY AND DRIVE GEAR ASSEMBLY****NOTICE:**

**Remove the drive gear with the sliding roof full closed.**

- (a) Disconnect the connectors.
- (b) Remove the bolt and relay.
- (c) Remove the 4 bolts and drive gear assembly.



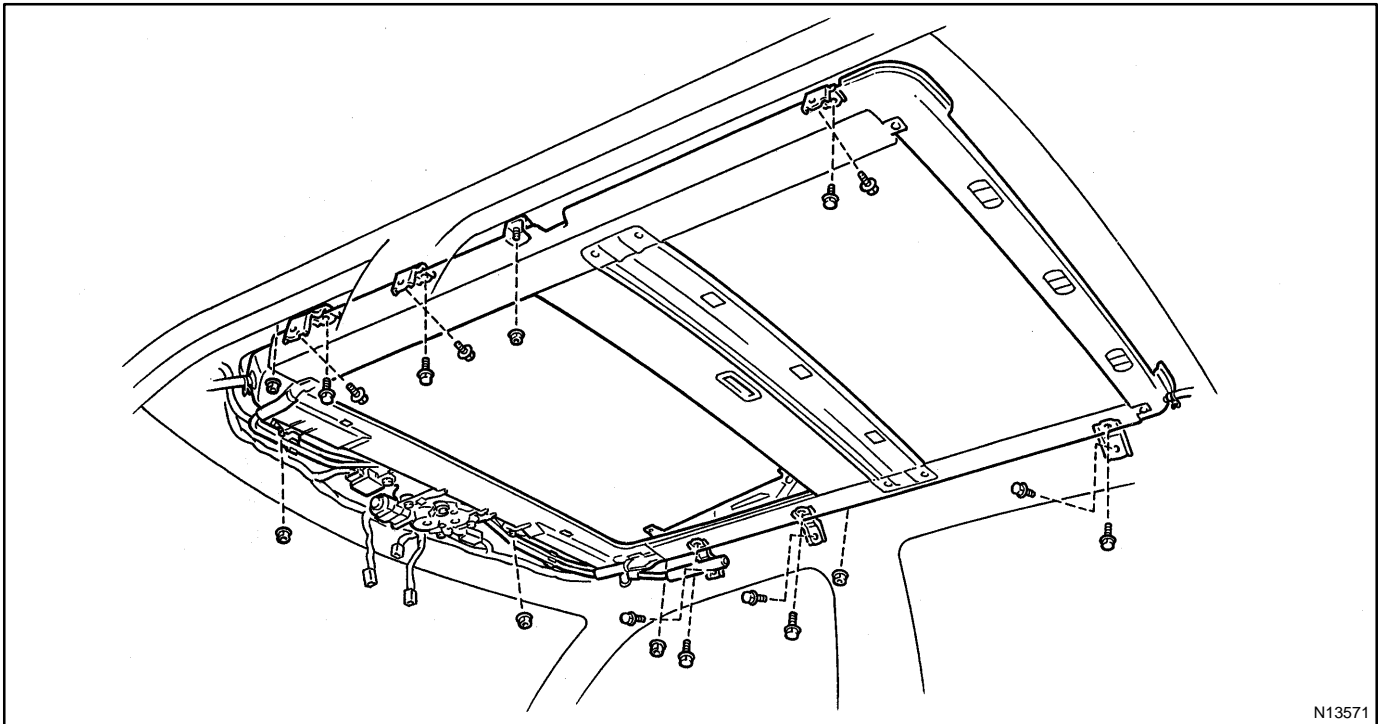
- (d) Remove the screw and cam plate cover.
- (e) Turn the drive shaft with a screwdriver to align the housing and gear point marks as shown.
- (f) Install the cam plate cover and screw.

**NOTICE:**

**At the time of installation, please refer to the following item. If the sliding roof position and drive gear assembly full close position are not matched, the sliding roof does not operate normally.**

**26. REMOVE SLIDING ROOF HOUSING**

- (a) Disconnect the 4 drain hoses from the housing.
- (b) Remove the 12 bolts and bracket.
- (c) Remove the 6 nuts, then remove the housing.



N13571