

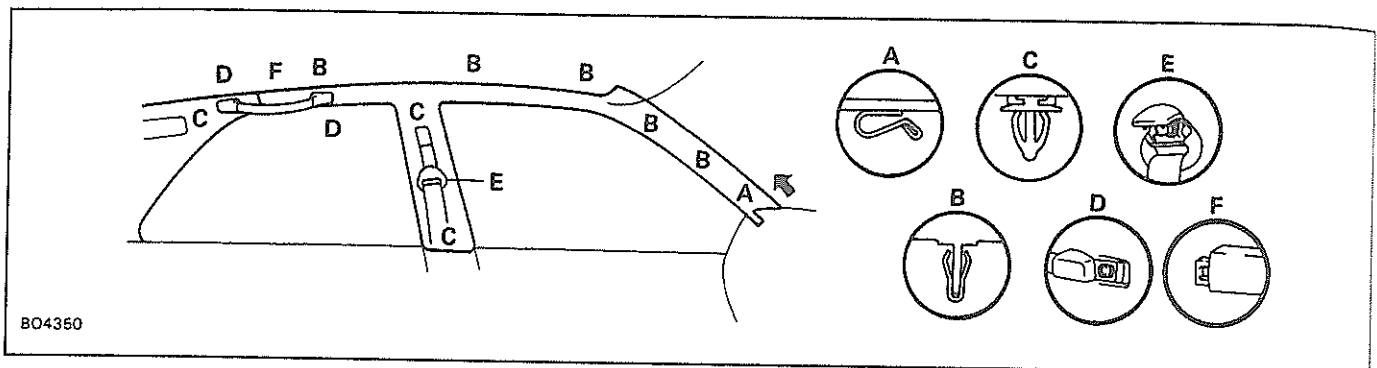
## TRAIN AND GARNISH REMOVAL

BO01X-01

### 1. REMOVE FRONT PILLAR GARNISH

- (a) Remove two screws and the assist grip.
- (b) Remove the front seat belt anchor bolt.
- (c) Disconnect the upper side of roof side inner garnish.
- (d) Using a screwdriver, remove seven clips and pull the garnish upper side.

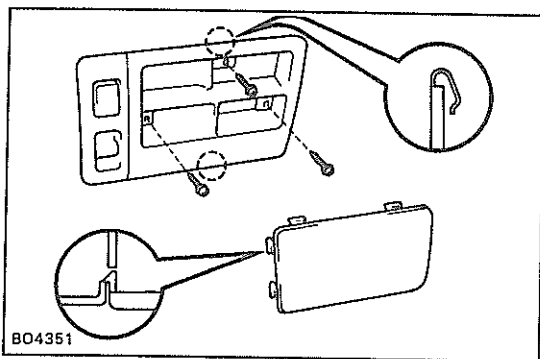
HINT: Tape the screwdriver tip before use.



BO4350

BO435

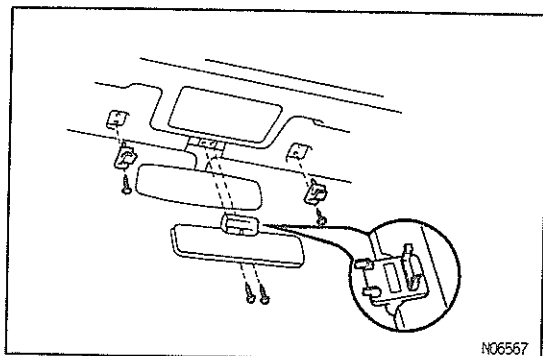
BO435



BO4351

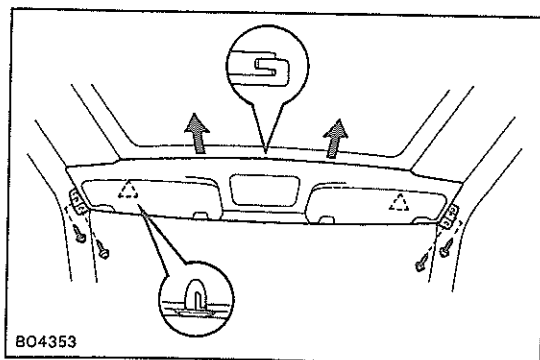
### 2. REMOVE FRONT ROOF HEADLINING

- (a) Using the screwdriver, remove map light lens.
- (b) Remove three screws.
- (c) Remove two clips and map light.
- (d) Disconnect the connector from the switch.



NO6567

- (e) Remove two screws and two holders.
- (f) Using a screwdriver, remove center visor.  
HINT: Tape the screwdriver tip before use.
- (g) Remove two screws and the inner rear view mirror.



BO4353

- (h) Remove four screws.
  - (i) Remove two clips with hand.
  - (j) Pull the headlining backward and remove it.
  - (k) Disconnect the connectors from the headlining.
3. REMOVE REAR SEAT CUSHION
  4. REMOVE REAR SEAT INNER BELT
  5. REMOVE REAR SEAT BACK

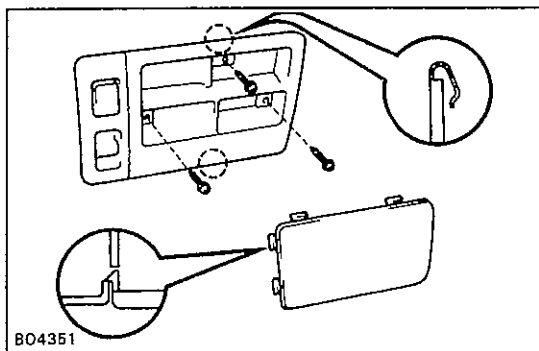
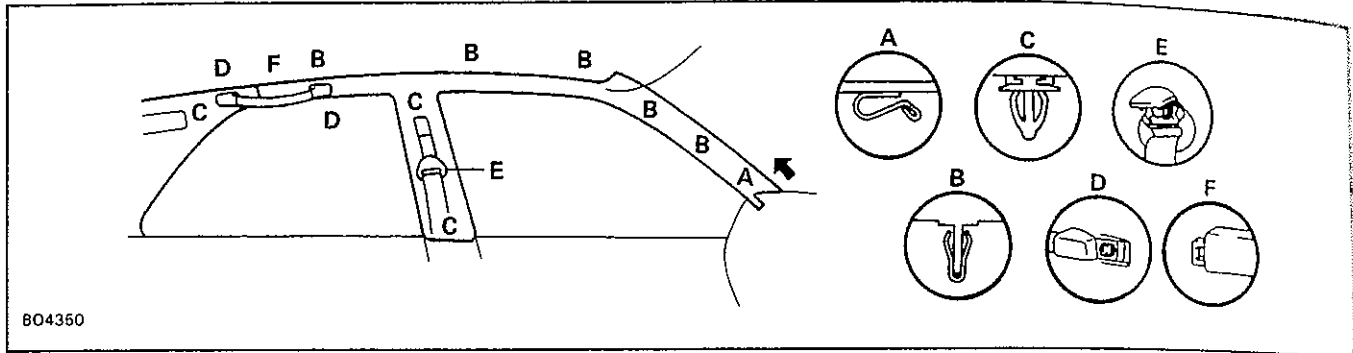
BO4357

## TRAIN AND GARNISH REMOVAL

### 1. REMOVE FRONT PILLAR GARNISH

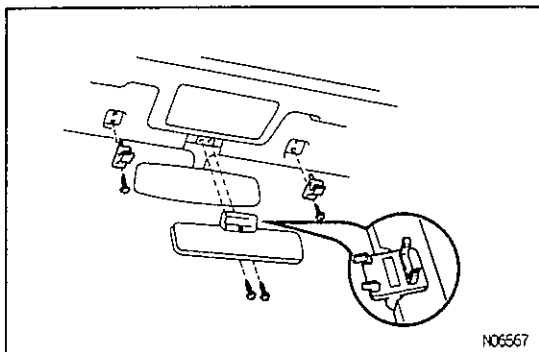
- (a) Remove two screws and the assist grip.
- (b) Remove the front seat belt anchor bolt.
- (c) Disconnect the upper side of roof side inner garnish.
- (d) Using a screwdriver, remove seven clips and pull the garnish upper side.

HINT: Tape the screwdriver tip before use.

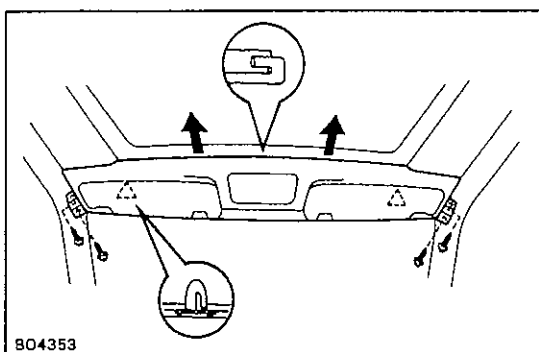


### 2. REMOVE FRONT ROOF HEADLINING

- (a) Using the screwdriver, remove map light lens.
- (b) Remove three screws.
- (c) Remove two clips and map light.
- (d) Disconnect the connector from the switch.



- (e) Remove two screws and two holders.
- (f) Using a screwdriver, remove center visor.  
HINT: Tape the screwdriver tip before use.
- (g) Remove two screws and the inner rear view mirror.



- (h) Remove four screws.
- (i) Remove two clips with hand.
- (j) Pull the headlining backward and remove it.
- (k) Disconnect the connectors from the headlining.

### 3. REMOVE REAR SEAT CUSHION

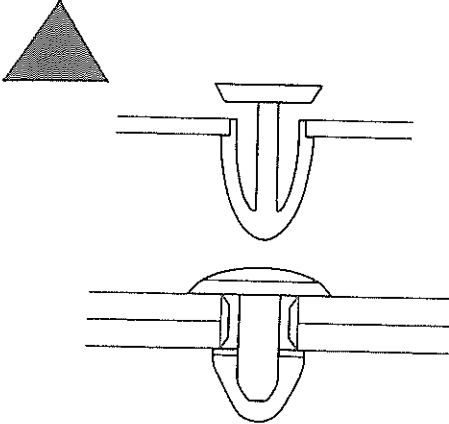
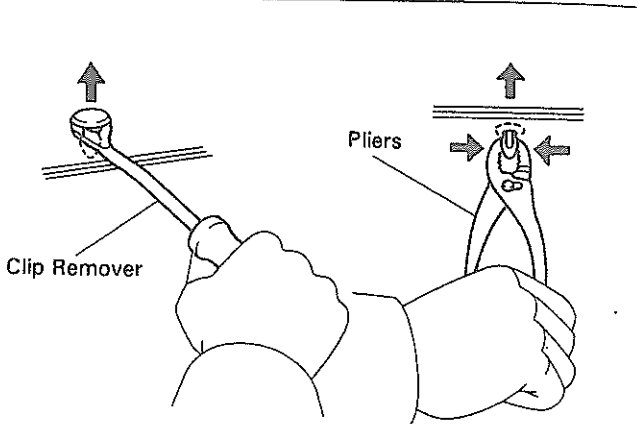
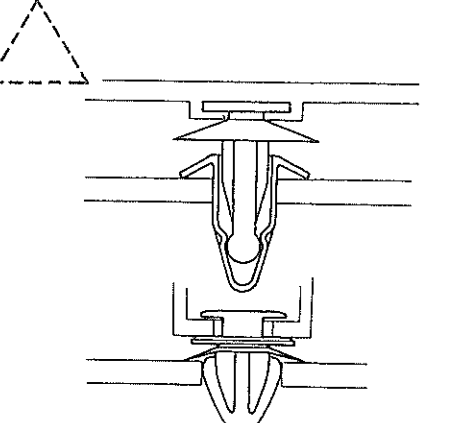
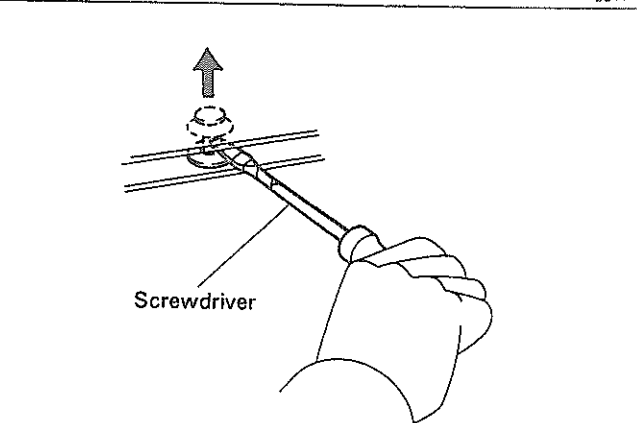
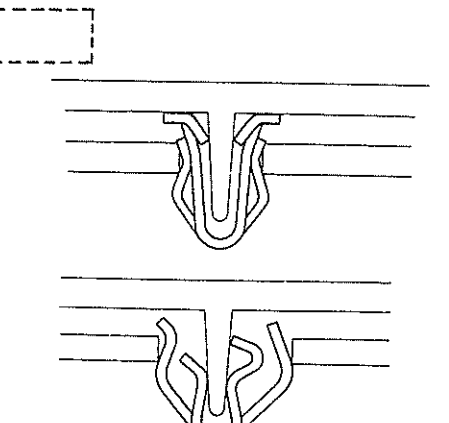
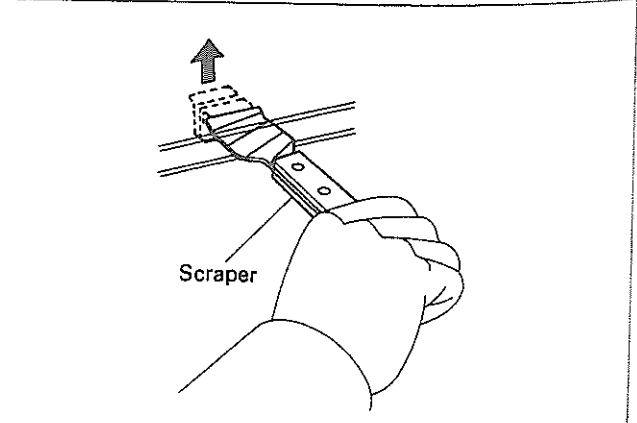
### 4. REMOVE REAR SEAT INNER BELT

### 5. REMOVE REAR SEAT BACK

# CLIPS

BO017

The removal and installation methods of typical clips used in body parts are shown in the table below.  
HINT: If the clip is damaged during the operation, always replace it with a new clip.

Shape (Example)	Removal/Installation
 <p>BO4116</p>	 <p>Clip Remover</p> <p>Pliers</p> <p>BO4117</p>
 <p>BO4118</p>	 <p>Screwdriver</p> <p>BO4119</p>
 <p>BO4120</p>	 <p>Scraper</p> <p>BO4121</p>

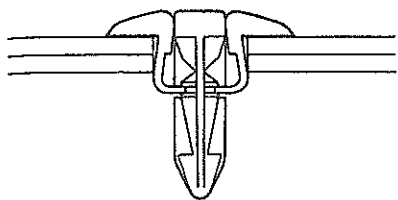
BO

4112

CLIPS (Cont'd)

Shape (Example)

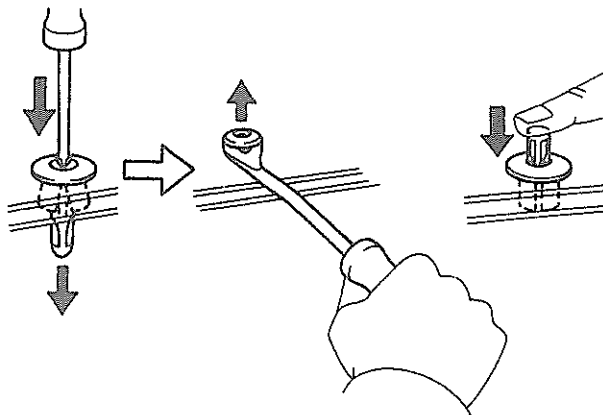
Removal/installation



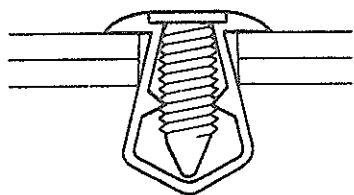
BO4122

Removal

Installation



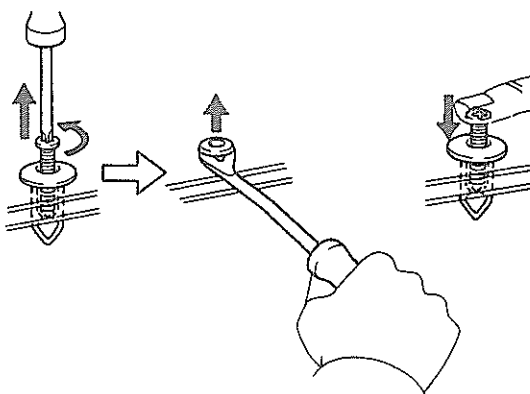
BO4123



BO4124

Removal

Installation



BO4125

V00012

pical clips  
below.  
operation.

4117

4119

4121

V0001

B