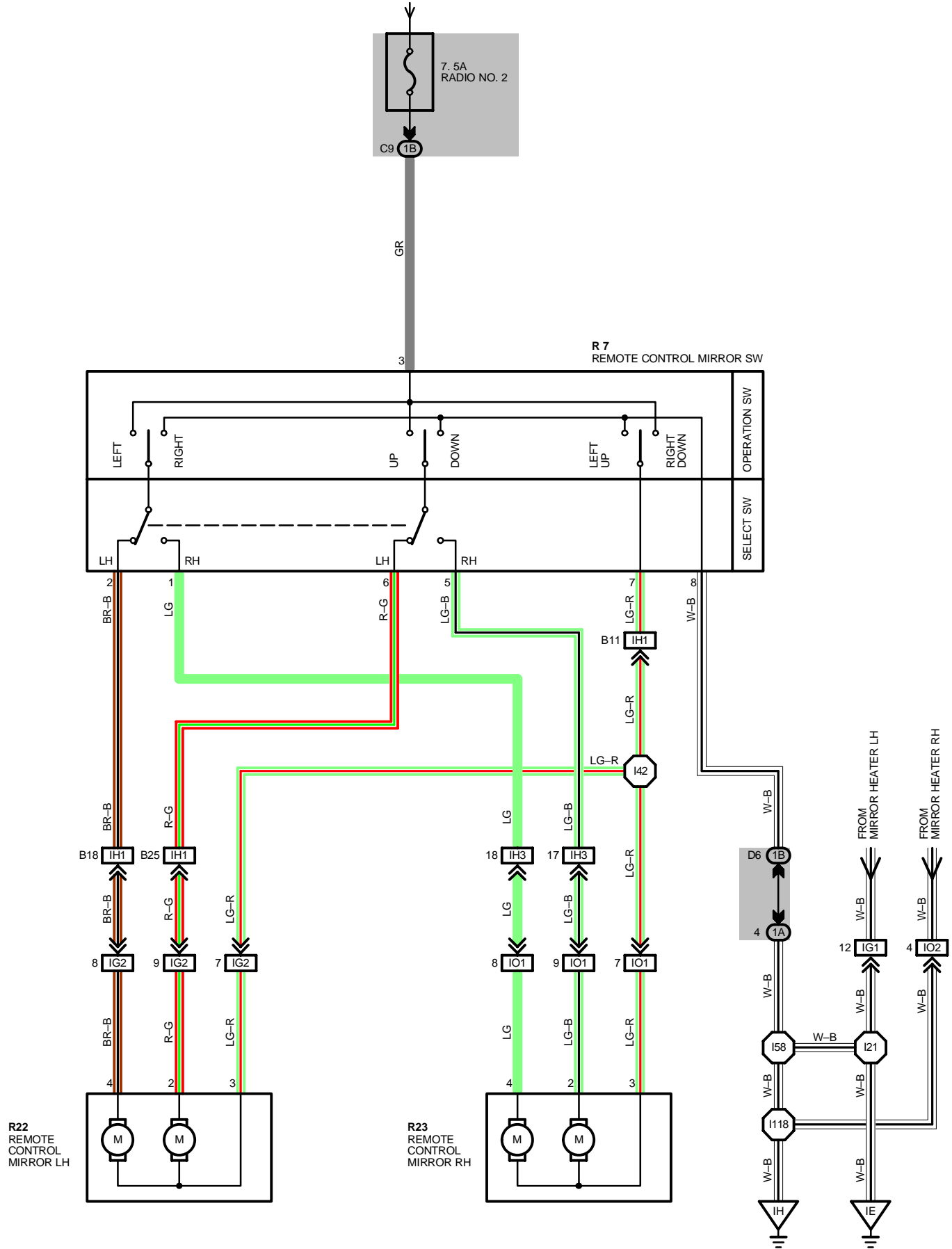


REMOTE CONTROL MIRRORS (w/o MEMORY)

FROM POWER SOURCE SYSTEM (SEE PAGE 56)



SERVICE HINTS

R 7 REMOTE CONTROL MIRROR SW

- 3-GROUND : APPROX. 12 VOLTS WITH IGNITION SW AT **ACC** OR **ON** POSITION
- 7-8 : CONTINUITY WITH OPERATION SW AT **LEFT** OR **UP** POSITION
- 3-7 : CONTINUITY WITH OPERATION SW AT **RIGHT** OR **DOWN** POSITION
- 8-GROUND : ALWAYS CONTINUITY

○ : PARTS LOCATION

CODE	SEE PAGE	CODE	SEE PAGE	CODE	SEE PAGE
R 7	27	R22	29	R23	29

○ : JUNCTION BLOCK AND WIRE HARNESS CONNECTOR

CODE	SEE PAGE	JUNCTION BLOCK AND WIRE HARNESS (CONNECTOR LOCATION)
1A	18	COWL WIRE AND J/B NO.1 (LEFT SIDE OF STEERING COLUMN TUBE)
1B	18	INSTRUMENT PANEL WIRE AND J/B NO.1 (LEFT SIDE OF STEERING COLUMN)

□ : CONNECTOR JOINING WIRE HARNESS AND WIRE HARNESS

CODE	SEE PAGE	JOINING WIRE HARNESS AND WIRE HARNESS (CONNECTOR LOCATION)
IG1	34	FRONT DOOR LH WIRE AND COWL WIRE (LEFT KICK PANEL)
IG2		
IH1	34	INSTRUMENT PANEL WIRE AND COWL WIRE (J/B NO.1)
IH3	34	INSTRUMENT PANEL WIRE AND COWL WIRE (BEHIND GLOVE BOX)
IO1	36	FRONT DOOR RH WIRE AND COWL WIRE (RIGHT KICK PANEL)
IO2		

▽ : GROUND POINTS

CODE	SEE PAGE	GROUND POINTS LOCATION
IE	34	LEFT KICK PANEL
IH	34	RIGHT KICK PANEL

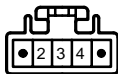
○ : SPLICE POINTS

CODE	SEE PAGE	WIRE HARNESS WITH SPLICE POINTS	CODE	SEE PAGE	WIRE HARNESS WITH SPLICE POINTS
I 21	36	COWL WIRE	I 58	36	COWL WIRE
I 42			I118		

R 7



R22



R23

