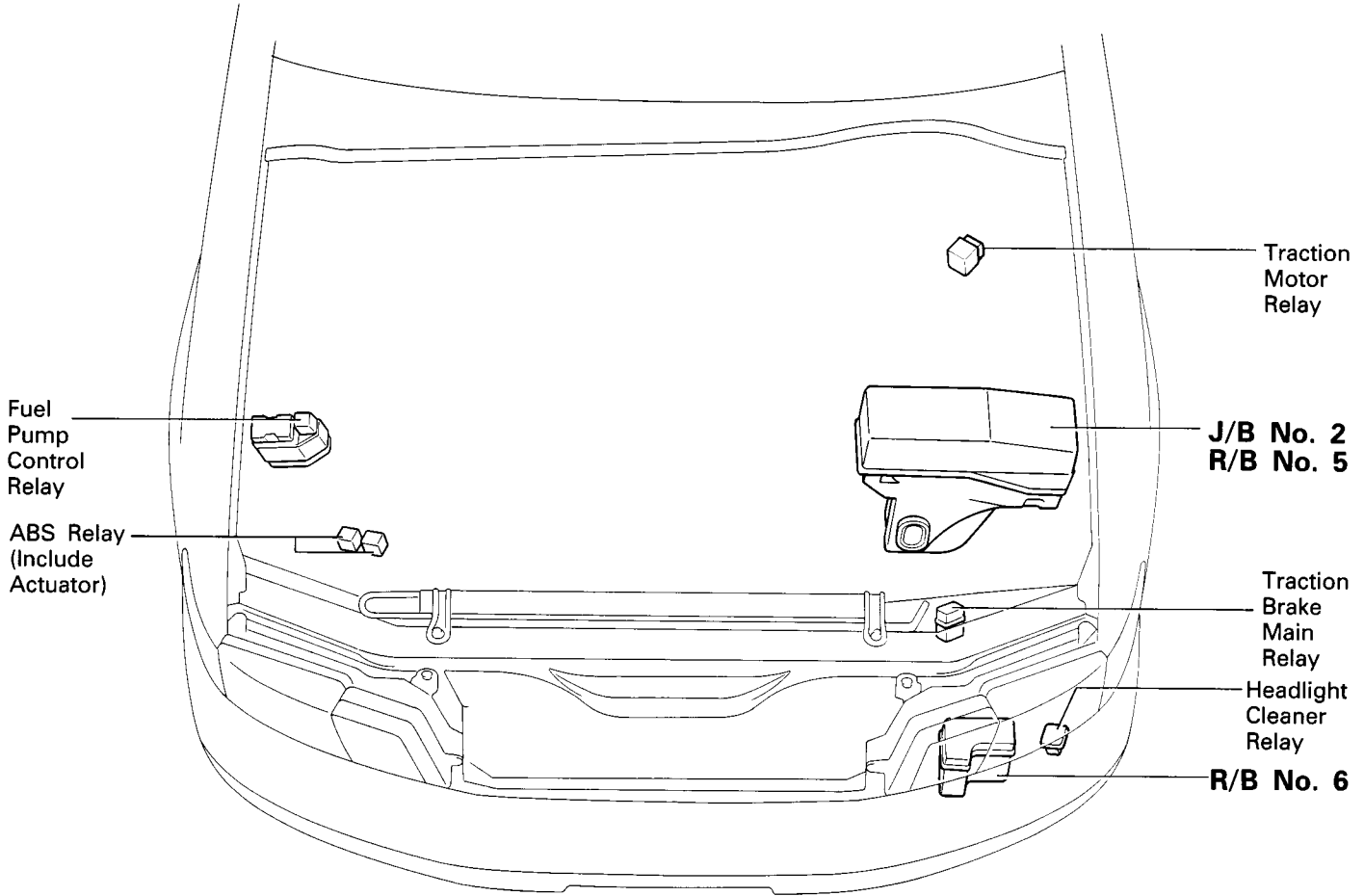
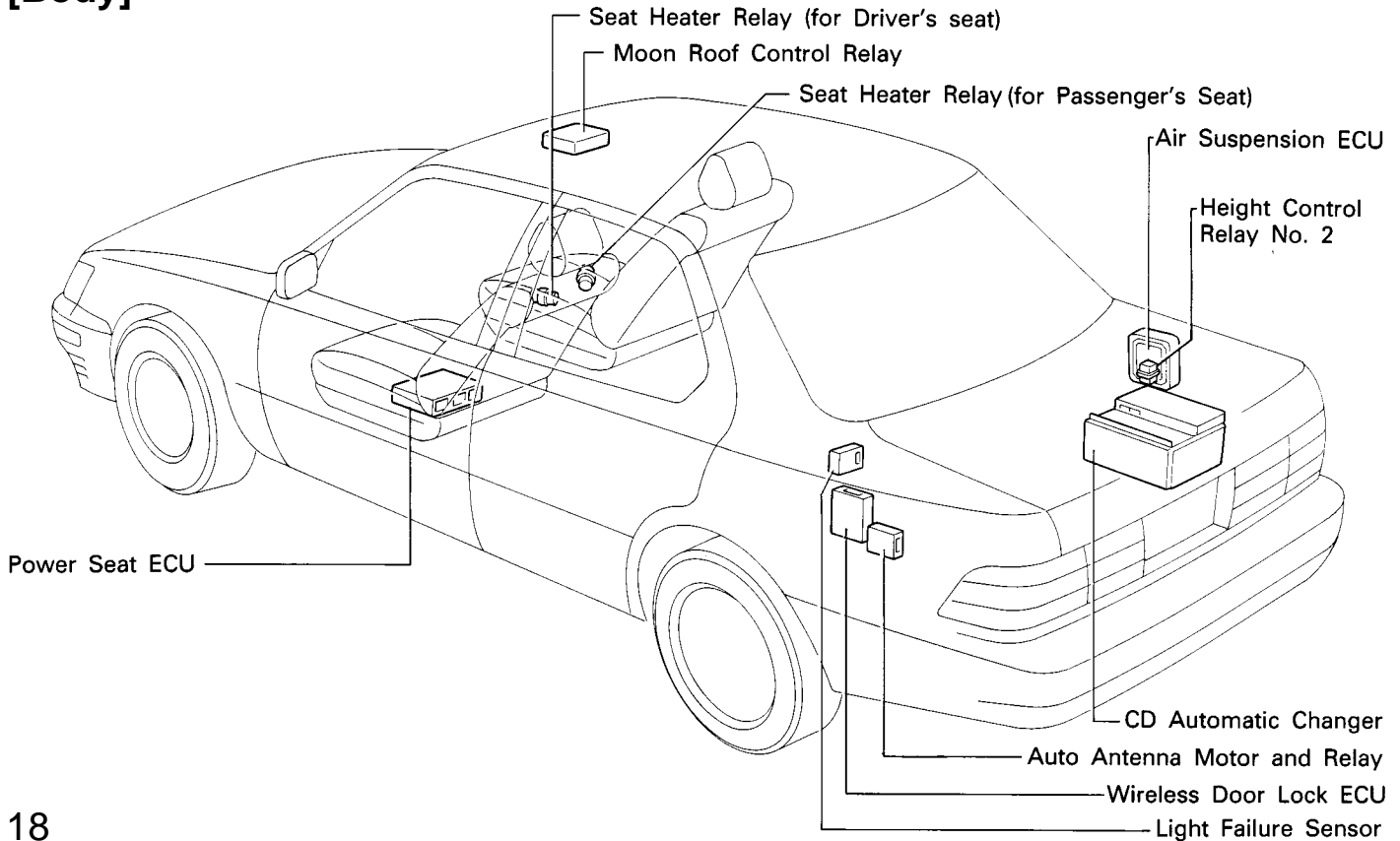


RELAY LOCATIONS

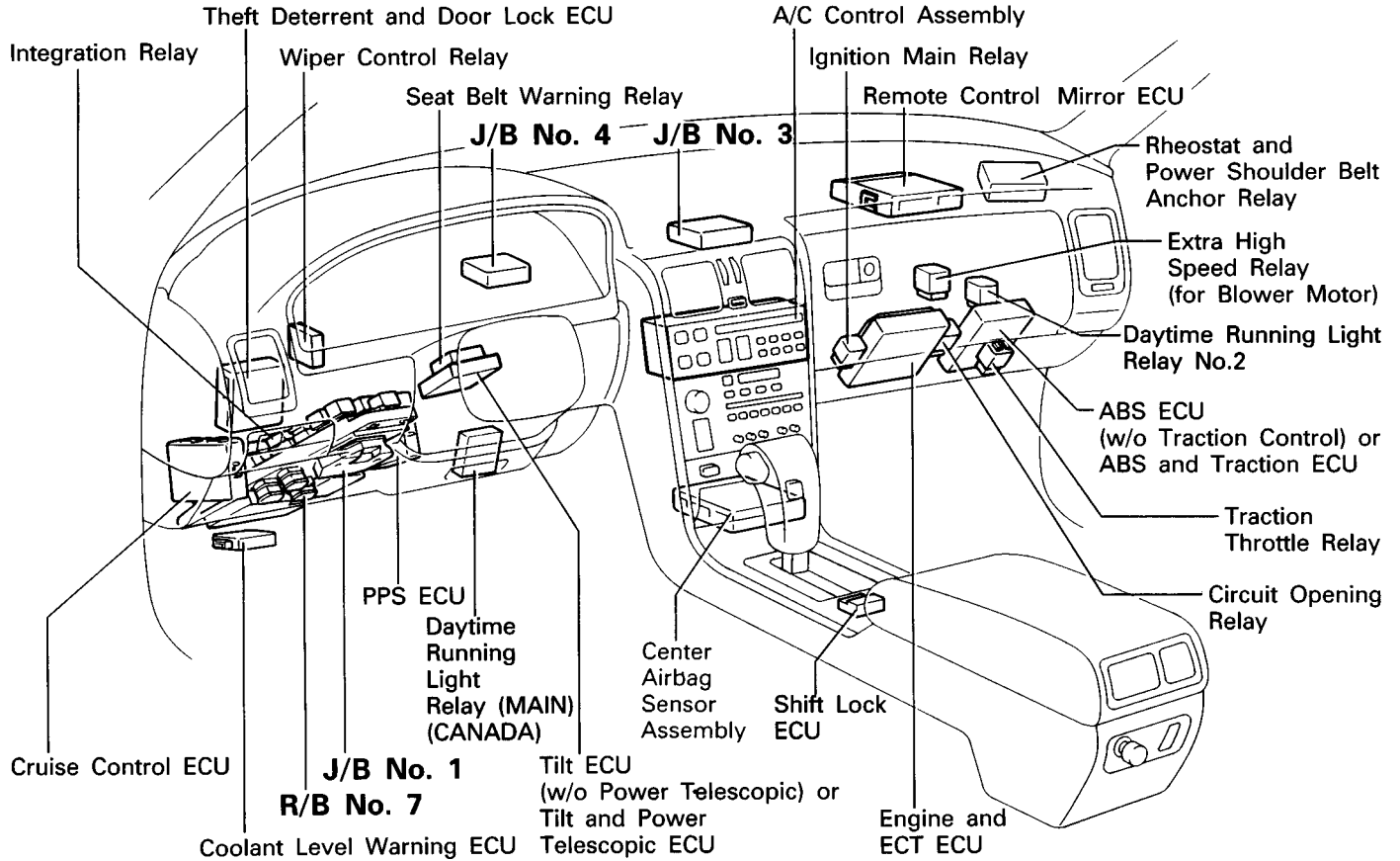
[Engine Compartment]



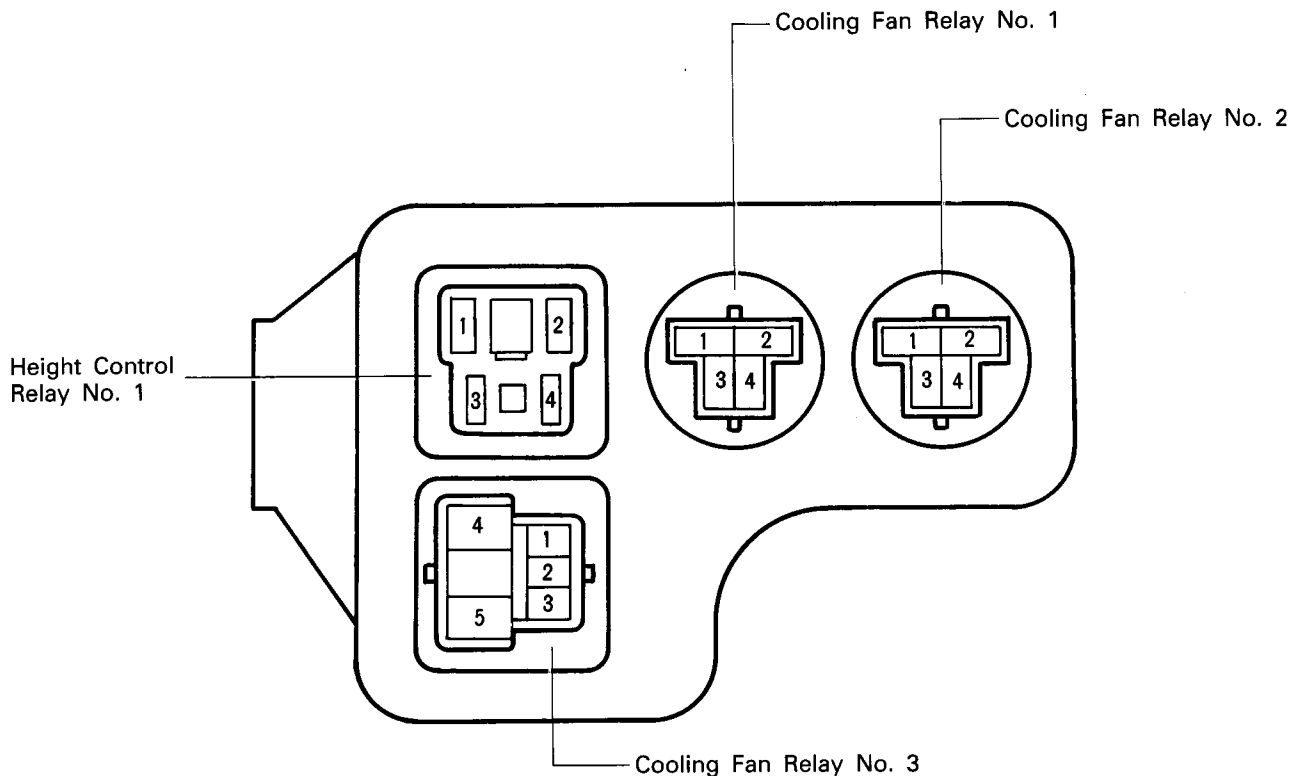
[Body]



[Instrument Panel]

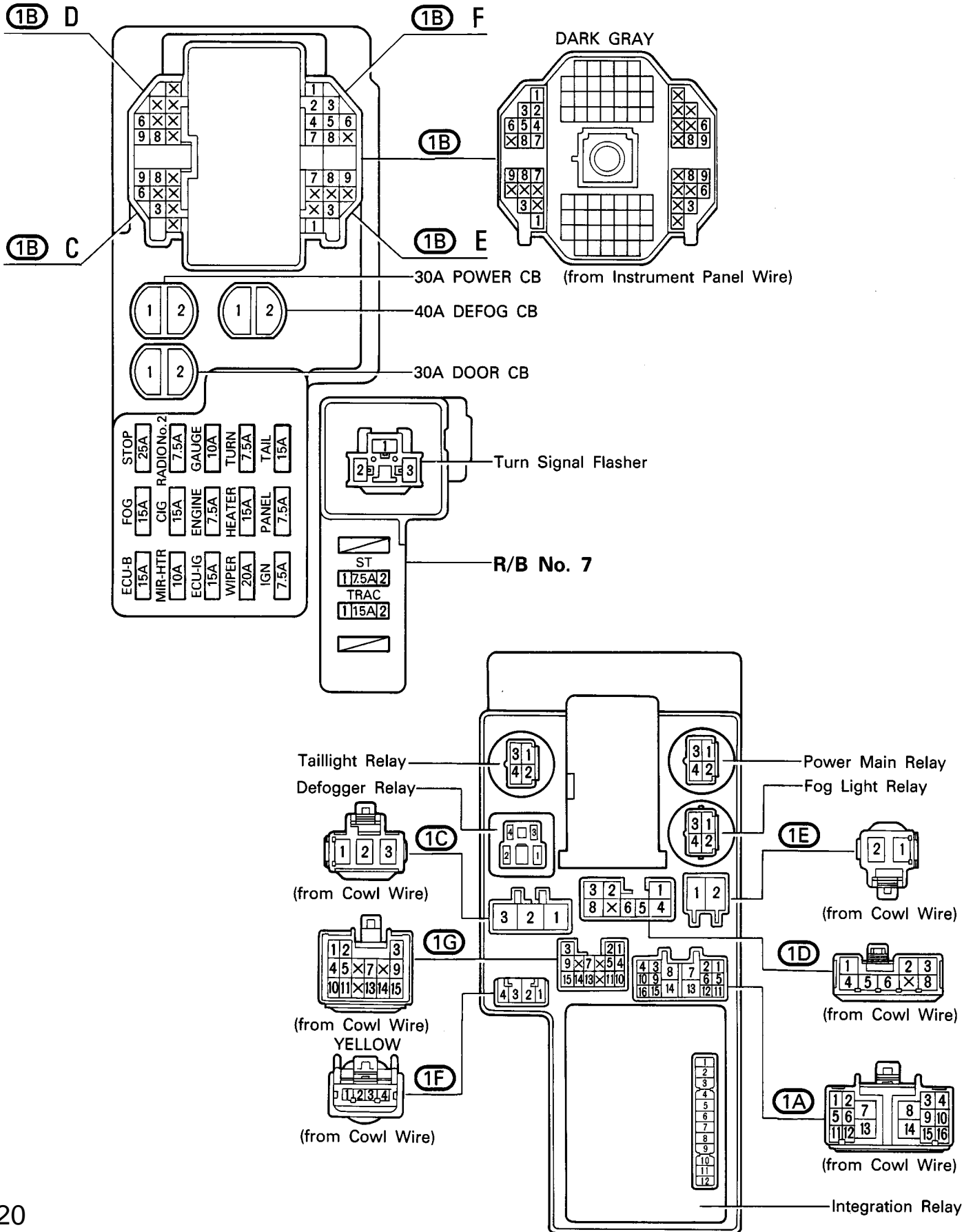


⑥ : R/B No. 6 Under the Headlight LH (See Page 18)

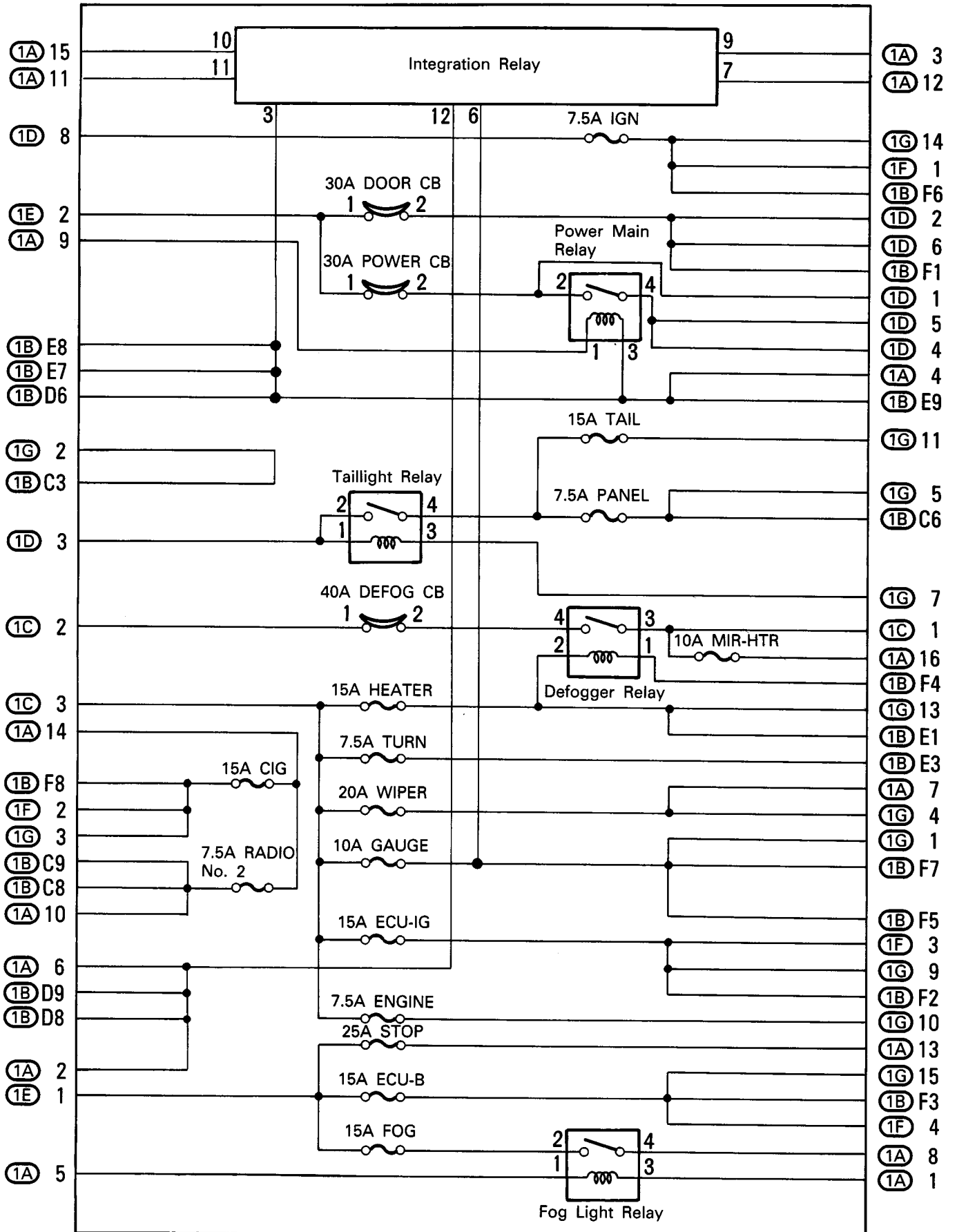


RELAY LOCATIONS

○ : J/B No. 1	Left Side of Steering Column Tube	(See Page 19)
⑦ : R/B No. 7	Right Side of J/B No.1	(See Page 19)

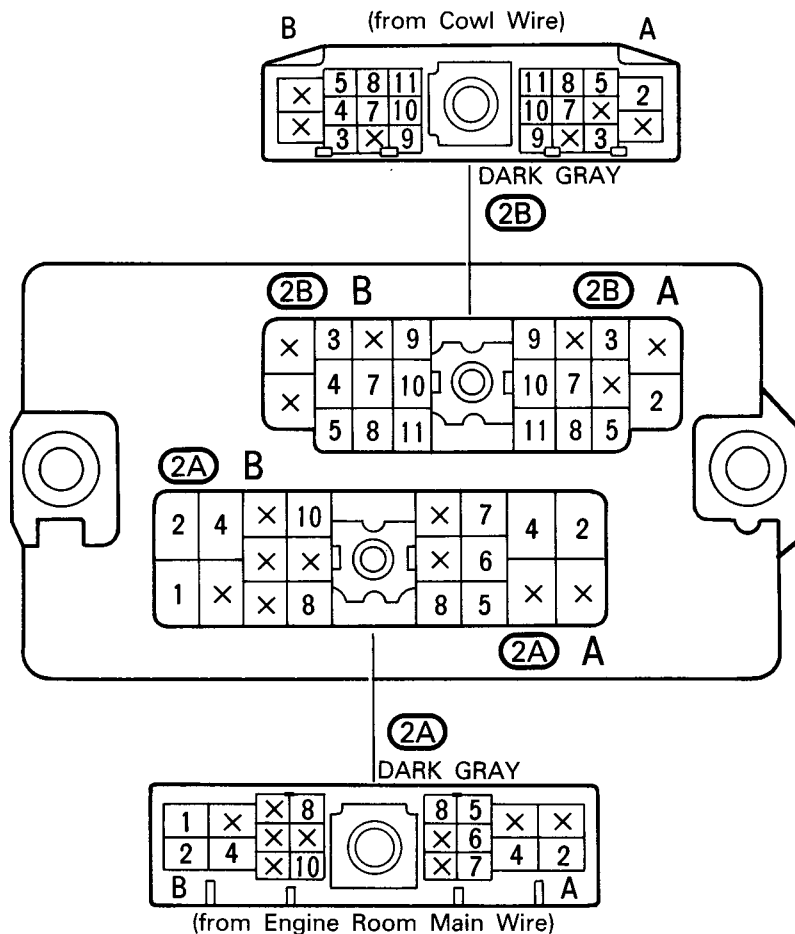
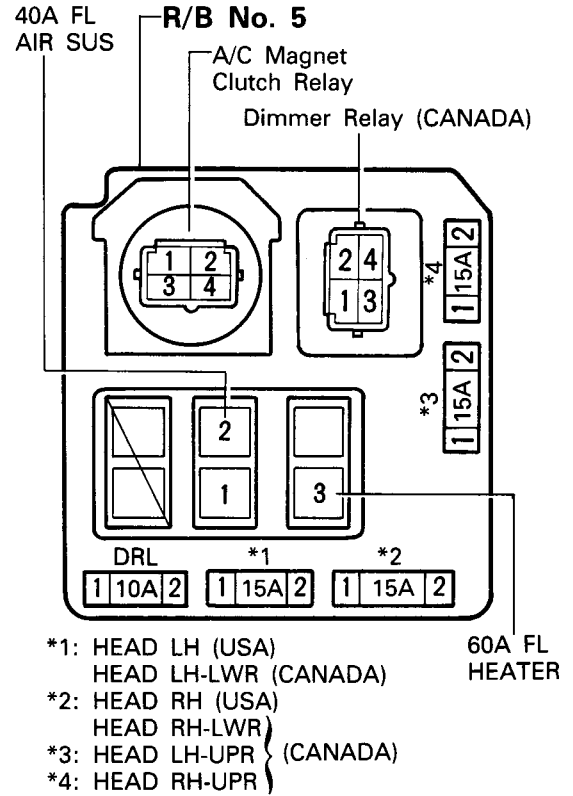
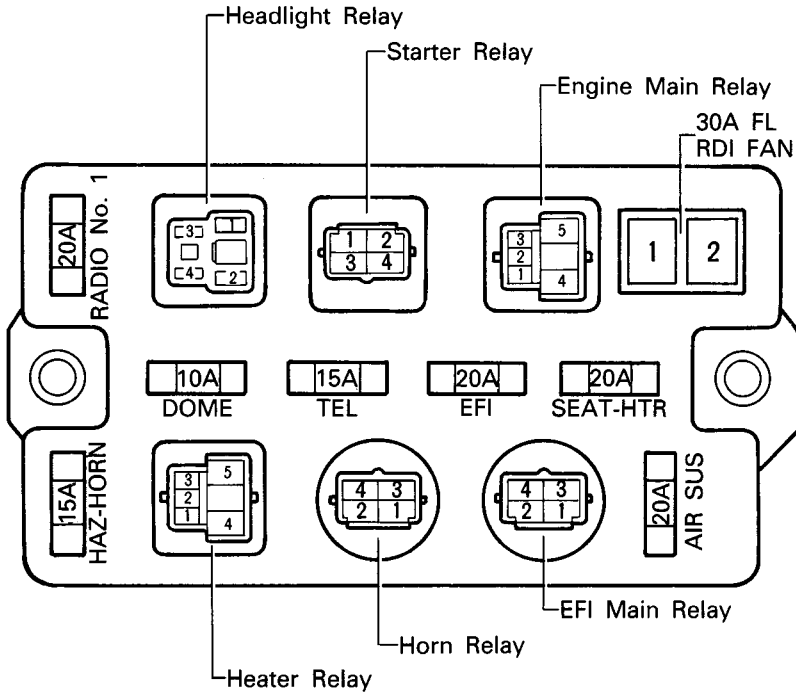


[J/B No. 1 Inner Circuit]

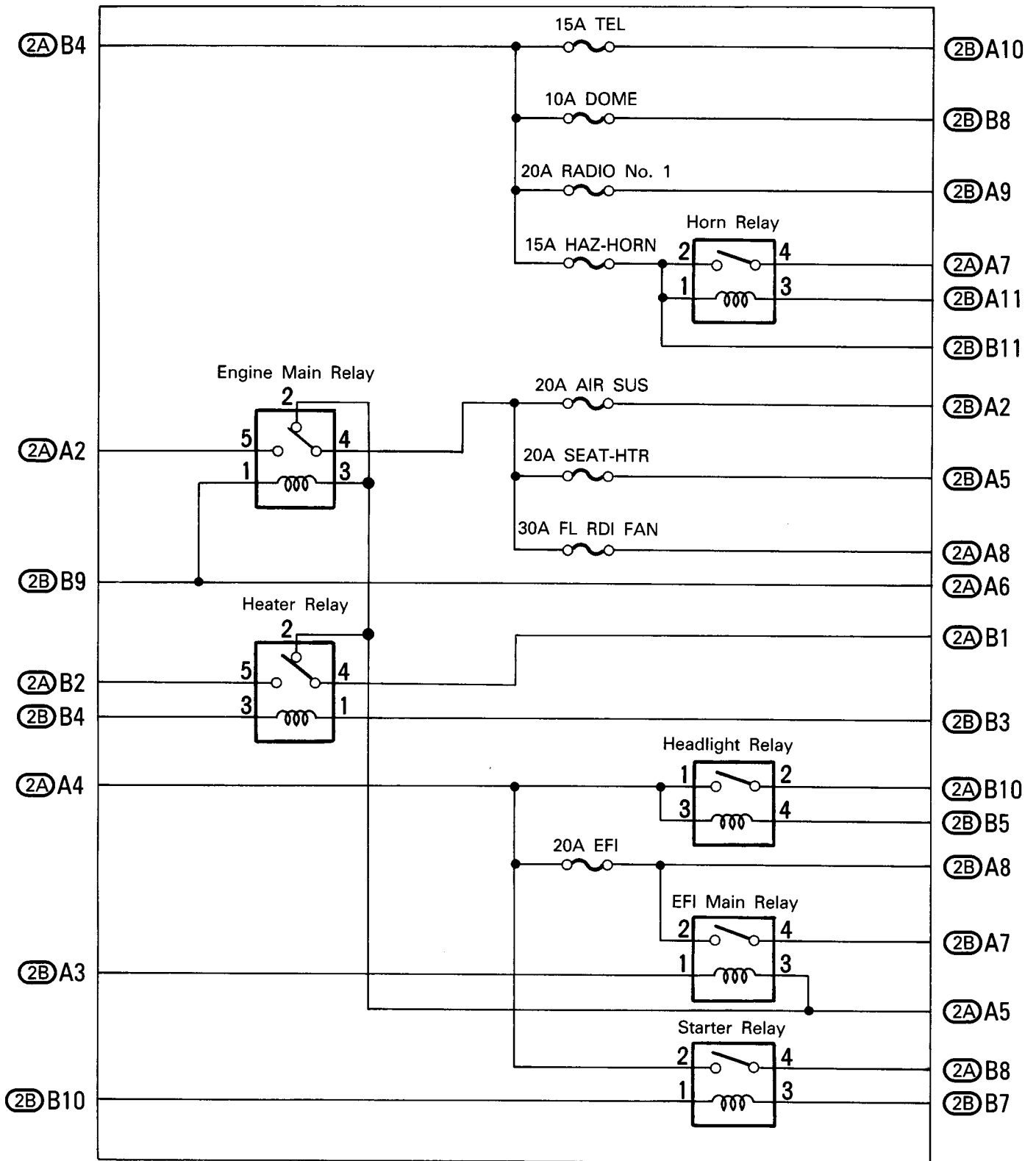


RELAY LOCATIONS

○ : J/B No. 2	Engine Compartment Left (See Page 18)
⑤ : R/B No. 5	Near the J/B No.2 (See Page 18)



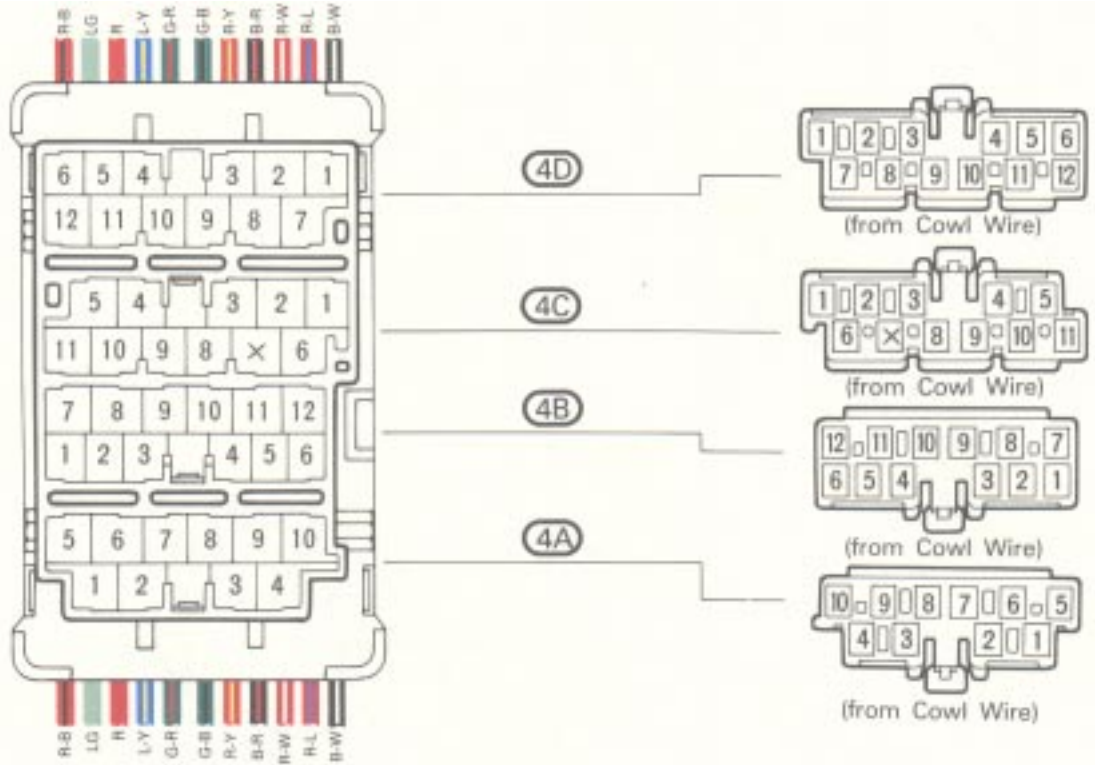
[J/B No. 2 Inner Circuit]



○ : J/B No. 4

Behind the Combination Meter

(See Page 19)



[J/B No. 4 Inner Circuit]

